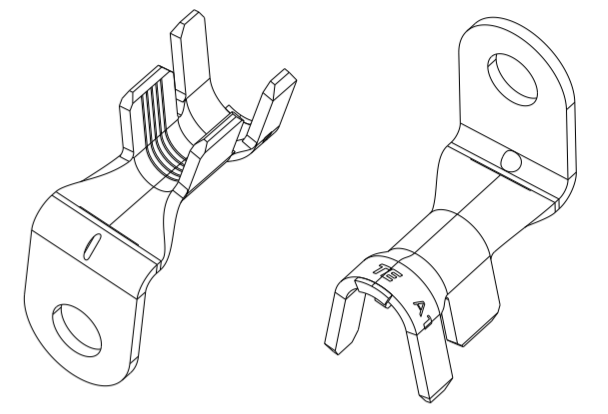
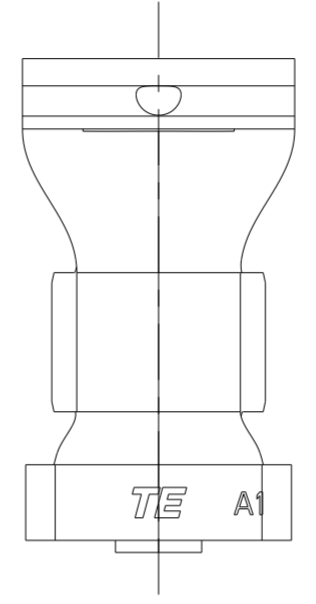
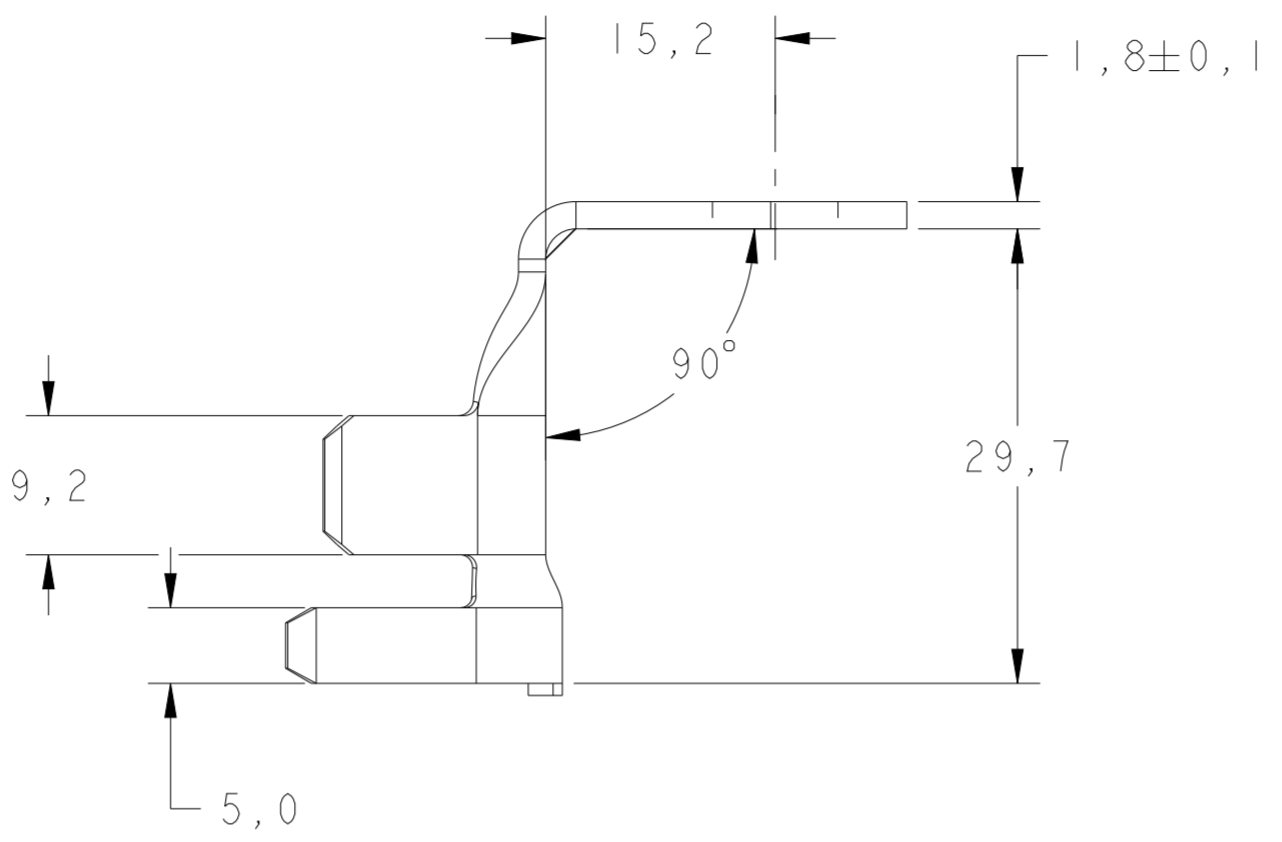
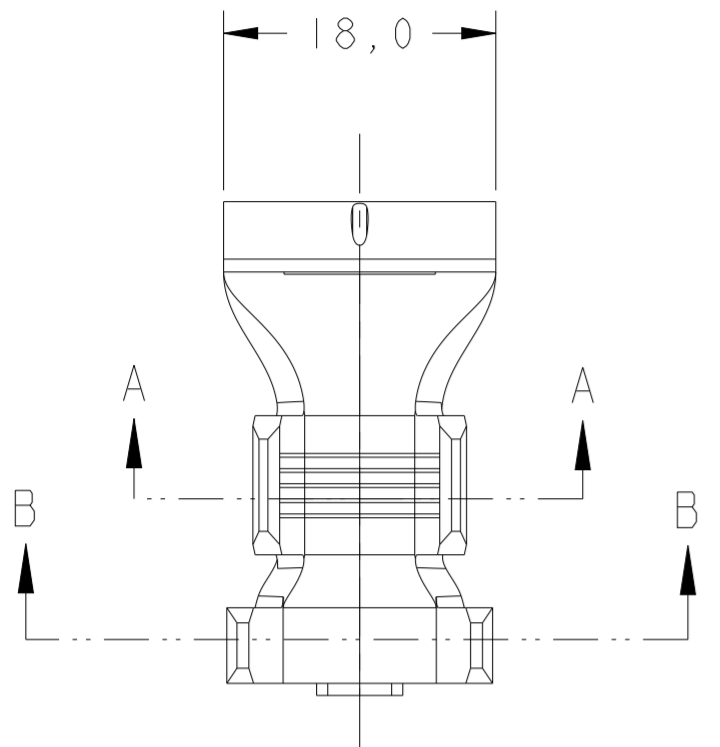


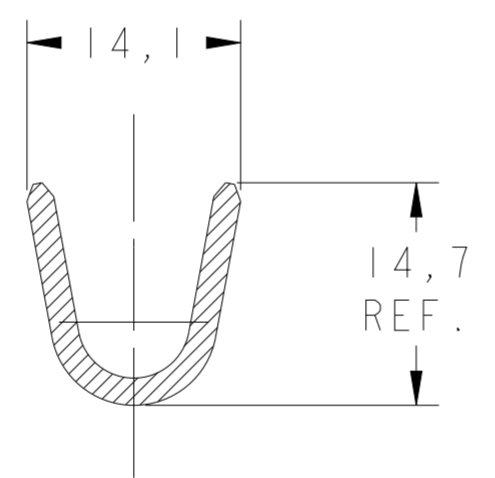
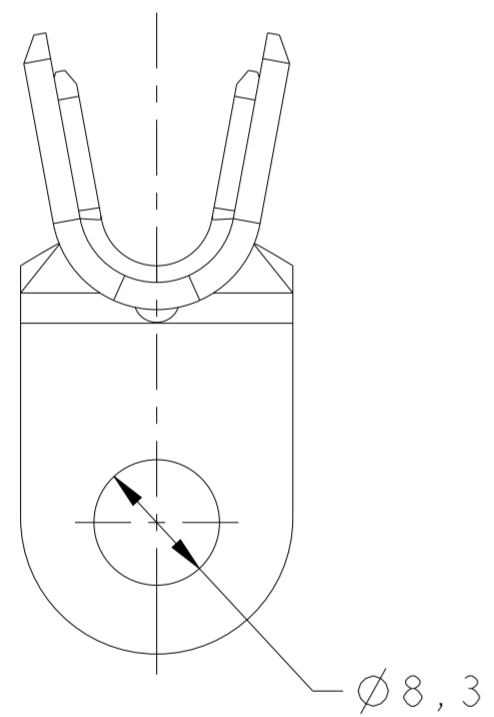
THIS DRAWING IS UNPUBLISHED. RELEASED FOR PUBLICATION 20
 © COPYRIGHT 20 ALL RIGHTS RESERVED.

LOC		DIST		REVISIONS			
P	LTR	DESCRIPTION	DATE	DWN	APVD		
AP	-						
A3		REVISED DRAWING ECO-14-011155	30JUL2014	NCL	GB		
A5		REVISED BY ECN-22-191216	03JAN2023	MJI	NMS		
A6		REVISED BY ECN-23-200308	24FEB2023	MJI	NMS		
B		REVISED BY ECN-23-214010	23MAY2023	MJI	NMS		

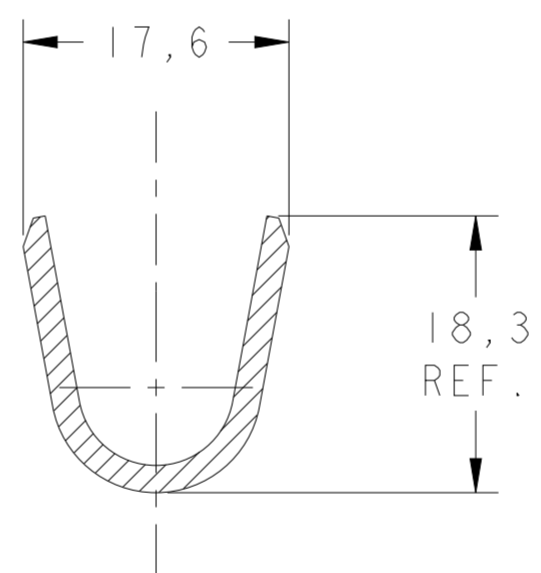
creo
 Creo Parametric 7.0
DO NOT REVISE
EXCEPT BY CAD



PERSPECTIVE VIEWS
 SCALE 1:1



SECTION A-A
 SCALE 2:1



SECTION B-B
 SCALE 2:1

△ - SOQUETE PARA PARAFUSAMENTO
 PORCA M8, (ØEXT. 19,8 MÁX.)
 - M8 NUT SCREWING SOCKET (EXT. DIA. 19,8 MAX.)

2133344-1
2133344-2

LOOSE PIECE	ESTANHADO SOBRE NÍQUEL / TIN PLATED OVER NICKEL	LATÃO / BRASS	2133344 -5
LOOSE PIECE	NU / PLAIN	LATÃO / BRASS	2133344 -4
LOOSE PIECE	ESTANHADO / TIN PLATED	LATÃO / BRASS	2133344 -3 △
LOOSE PIECE	NU / PLAIN	LATÃO / BRASS	2133344 -2 △
LOOSE PIECE	ESTANHADO / TIN PLATED	LATÃO / BRASS	2133344 -1 △
SUPPLIED	FINISH	MATERIAL	PART NUMBER

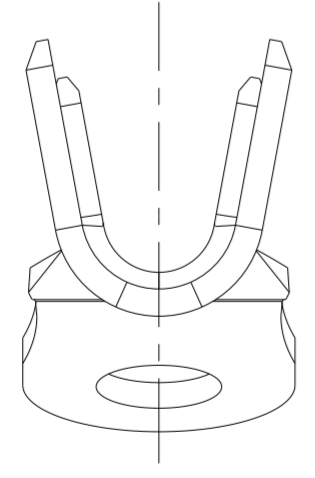
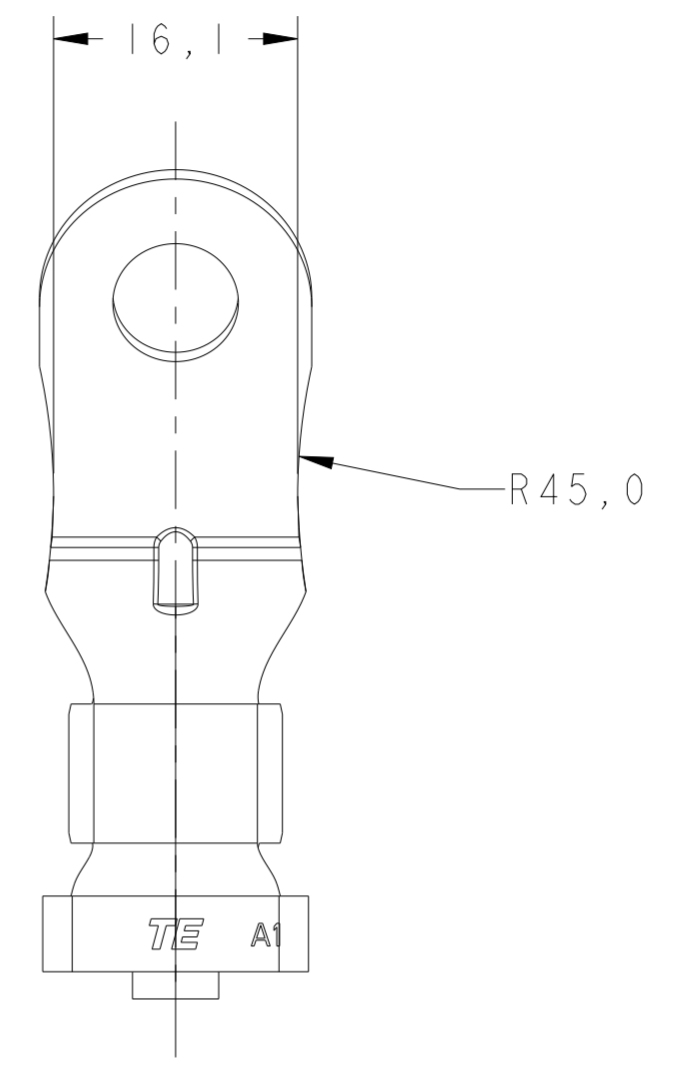
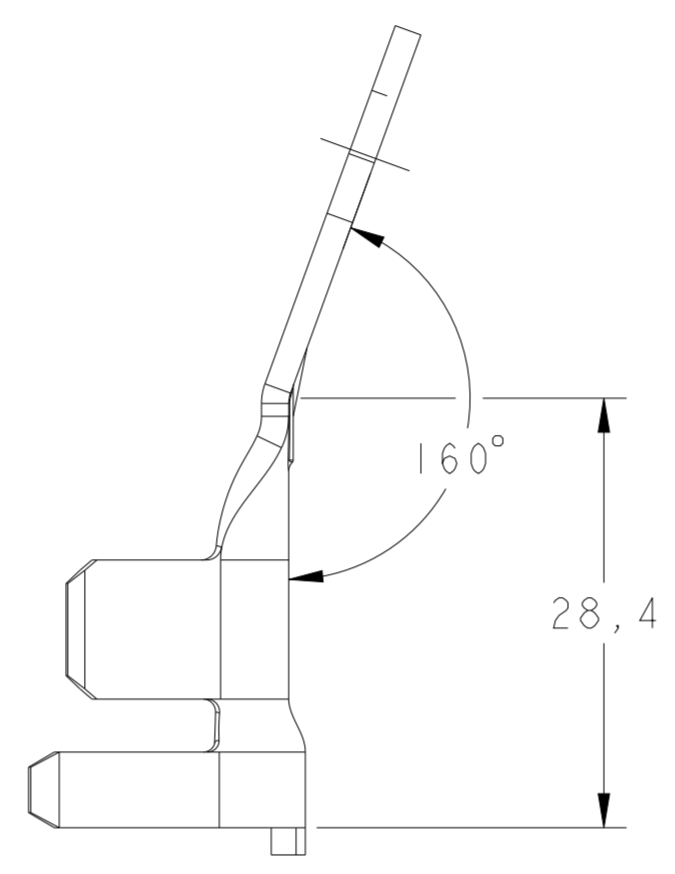
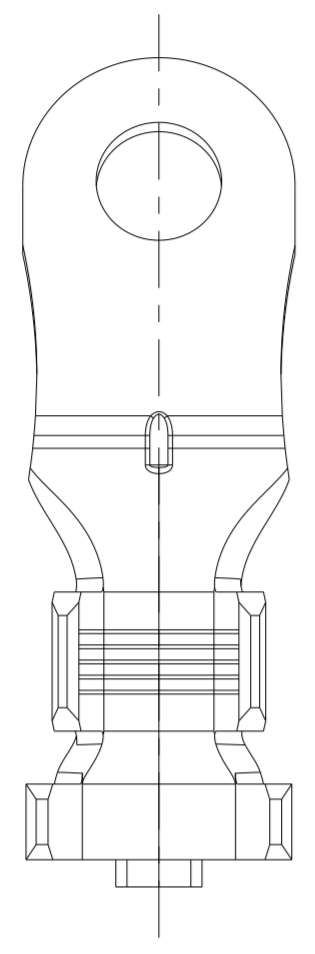
WIRE RANGE	INSUL. RANGE
25~35mm ²	Ø8,5~11,5mm

THIS DRAWING IS A CONTROLLED DOCUMENT.		DWN NCLAPRESA 30MAY2011	TE Connectivity TERMINAL RING TONGUE	
DIMENSIONS: mm		CHK JRGOLDSCHIMDT 30MAY2011		
TOLERANCES UNLESS OTHERWISE SPECIFIED:		APVD NMSANTOS 30MAY2011		
0 PLC ±	1 PLC ±0,3	PRODUCT SPEC	NAME	RESTRICTED TO
2 PLC ±	3 PLC ±	APPLICATION SPEC	SIZE	
4 PLC ±	ANGLES ±3°	FINISH	CAGE CODE	DRAWING NO
MATERIAL SEE TABLE	SEE TABLE	WEIGHT	A200779	2133344
CUSTOMER DRAWING		SCALE 1:1	SHEET 1 OF 3	REV B

THIS DRAWING IS UNPUBLISHED. RELEASED FOR PUBLICATION 20
 © COPYRIGHT 20 BY - ALL RIGHTS RESERVED.

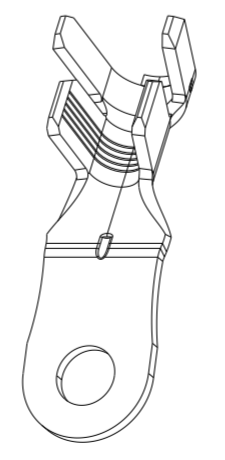
LOC	DIST	REVISIONS			
P	LTR	DESCRIPTION	DATE	DWN	APVD
AP	-	SEE SHEET 1	-	-	-

creo
 Creo Parametric 7.0
DO NOT REVISE
EXCEPT BY CAD



2133344-3

DEMAIS DIMENSÕES VER FOLHA 1 DE 1
OTHERS DIMENSIONS SEE SHEET 1 OF 1



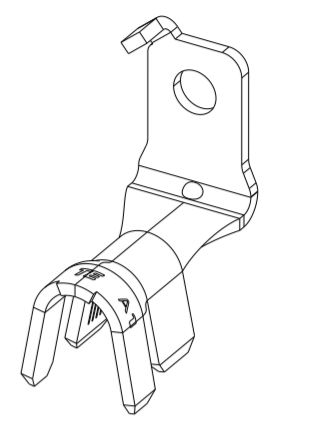
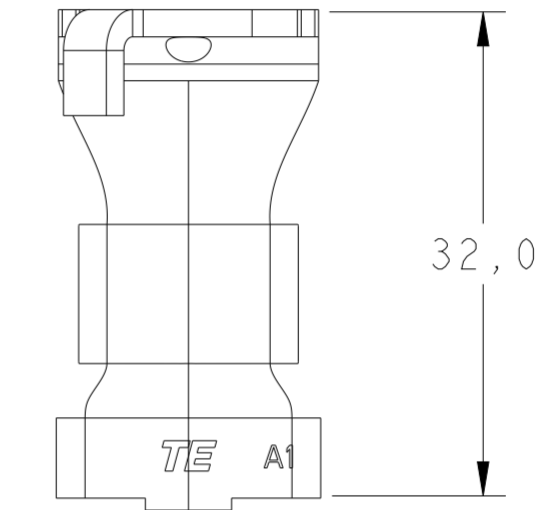
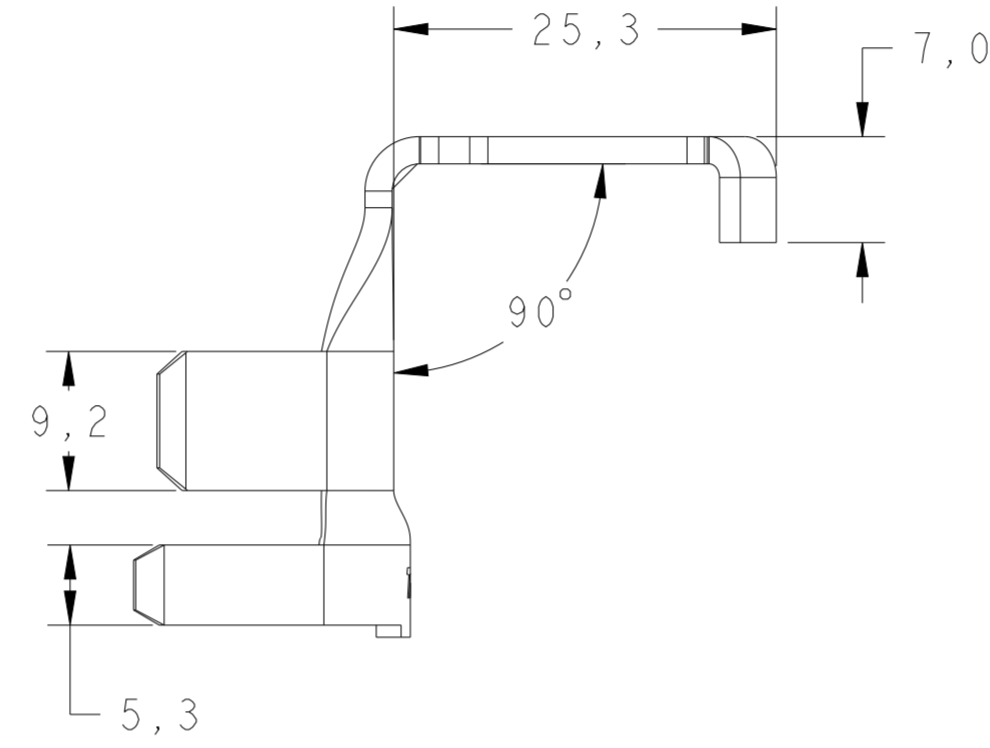
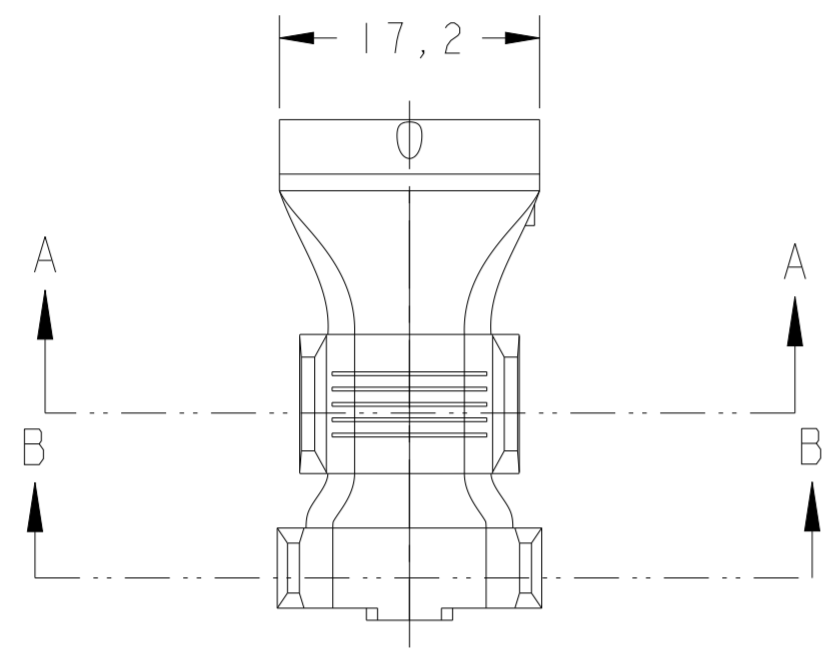
PERSPECTIVE VIEW
 SCALE 1:1

THIS DRAWING IS A CONTROLLED DOCUMENT.		DWN: NCLAPRESA 30 JUL 2014	STE TE Connectivity	
DIMENSIONS: mm		CHK: JRGOLDSCHMIDT 30 JUL 2014		
TOLERANCES UNLESS OTHERWISE SPECIFIED:		APVD: GBONUCCI 30 JUL 2014	NAME: -	
0 PLC ±	1 PLC ±0,3	PRODUCT SPEC	-	
2 PLC ±	3 PLC ±	APPLICATION SPEC	-	
4 PLC ±	ANGLES ±3°	WEIGHT	SIZE: A2	CAGE CODE: -
MATERIAL: -	FINISH: -	CUSTOMER DRAWING	DRAWING NO: C-2133344	RESTRICTED TO: -
SCALE: 2:1			SHEET: 2 OF 3	REV: B

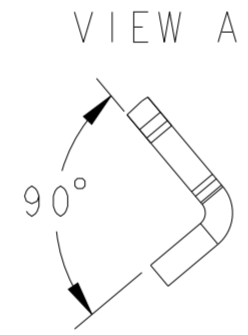
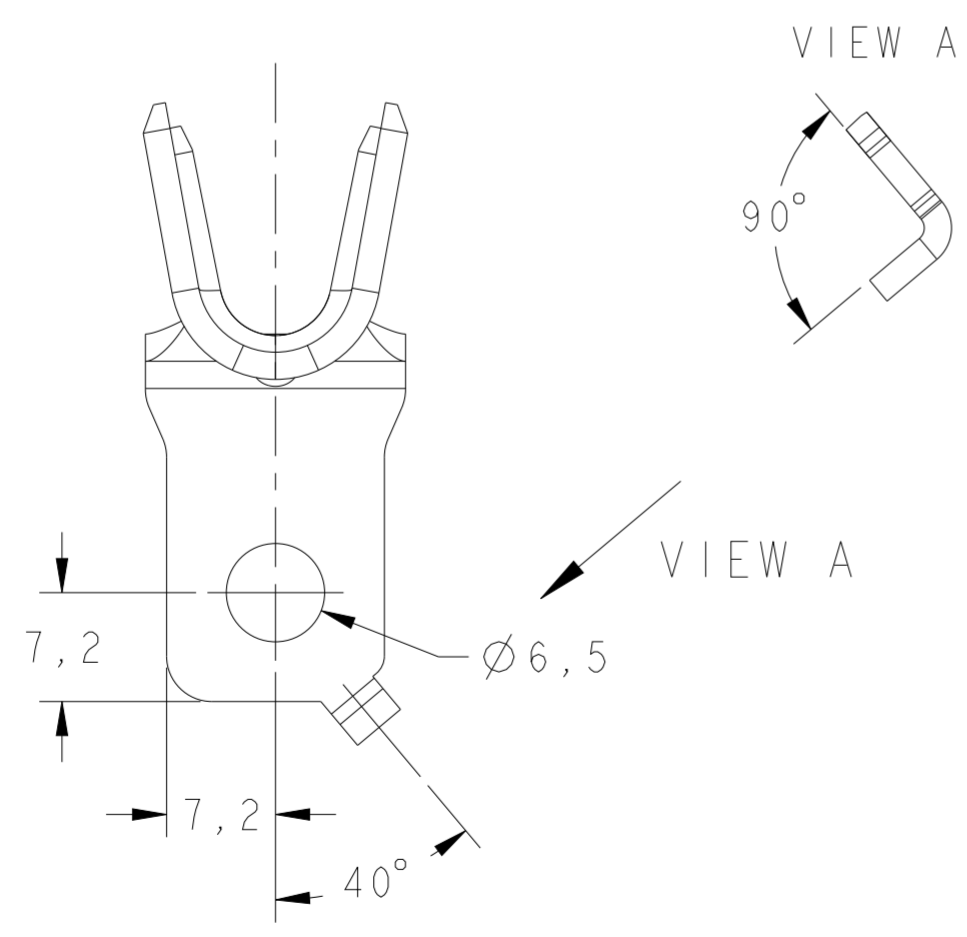
THIS DRAWING IS UNPUBLISHED. RELEASED FOR PUBLICATION 20
 © COPYRIGHT 20 BY - ALL RIGHTS RESERVED.

LOC	DIST	REVISIONS			
P	LTR	DESCRIPTION	DATE	DWN	APVD
AP	-	SEE SHEET 1	-	-	-

creo
 Creo Parametric 7.0
DO NOT REVISE
EXCEPT BY CAD

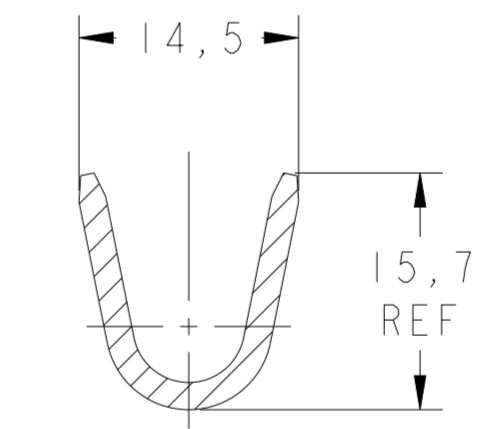


SCALE 1:1

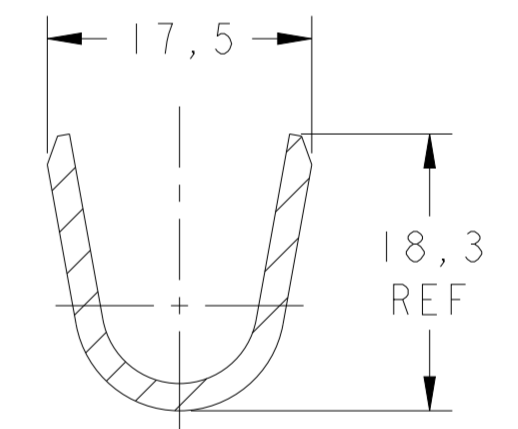


2133344-4
 2133344-5

DEMAIS DIMENSÕES VER FOLHA 1 DE 1
 OTHERS DIMENSIONS SEE SHEET 1 OF 1



SECTION A-A



SECTION B-B

THIS DRAWING IS A CONTROLLED DOCUMENT.		DWN	M. IBUSUKI	03JAN2023	 TE Connectivity	
DIMENSIONS:		CHK	N. SANTOS	03JAN2023		
mm		APVD	R. K. LEME	03JAN2023		
TOLERANCES UNLESS OTHERWISE SPECIFIED: 0 PLC ± 1 PLC ±0,3 2 PLC ± 3 PLC ± 4 PLC ± ANGLES ±3° FINISH		NAME	- TERMINAL RING TONGUE			
MATERIAL	-	APPLICATION SPEC	-		SIZE	A2
		WEIGHT	-		CAGE CODE	-
		CUSTOMER DRAWING	-		DRAWING NO	G-2133344
			-		RESTRICTED TO	-
			-		SCALE	2:1
			-		SHEET	3 OF 3
			-		REV	B