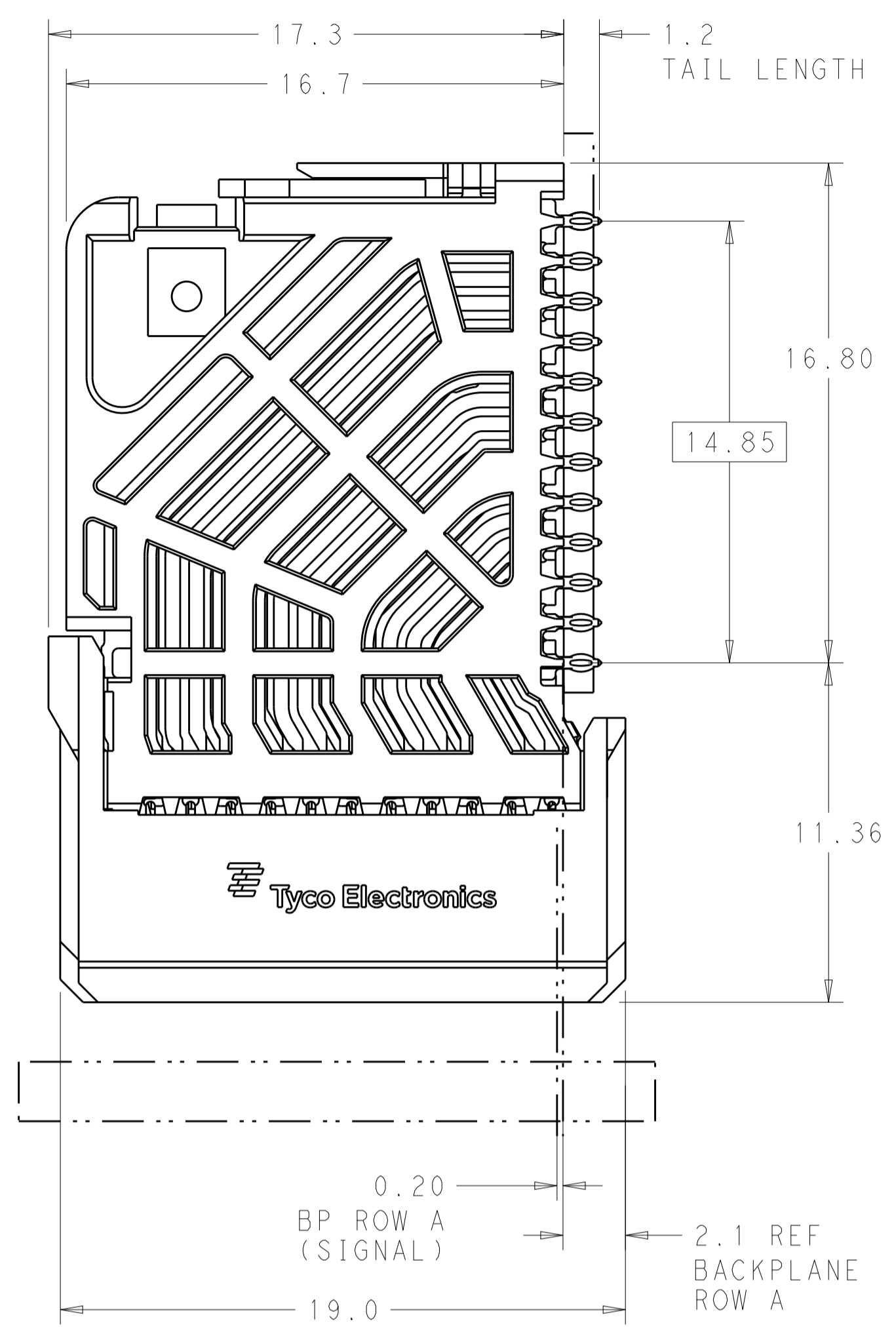
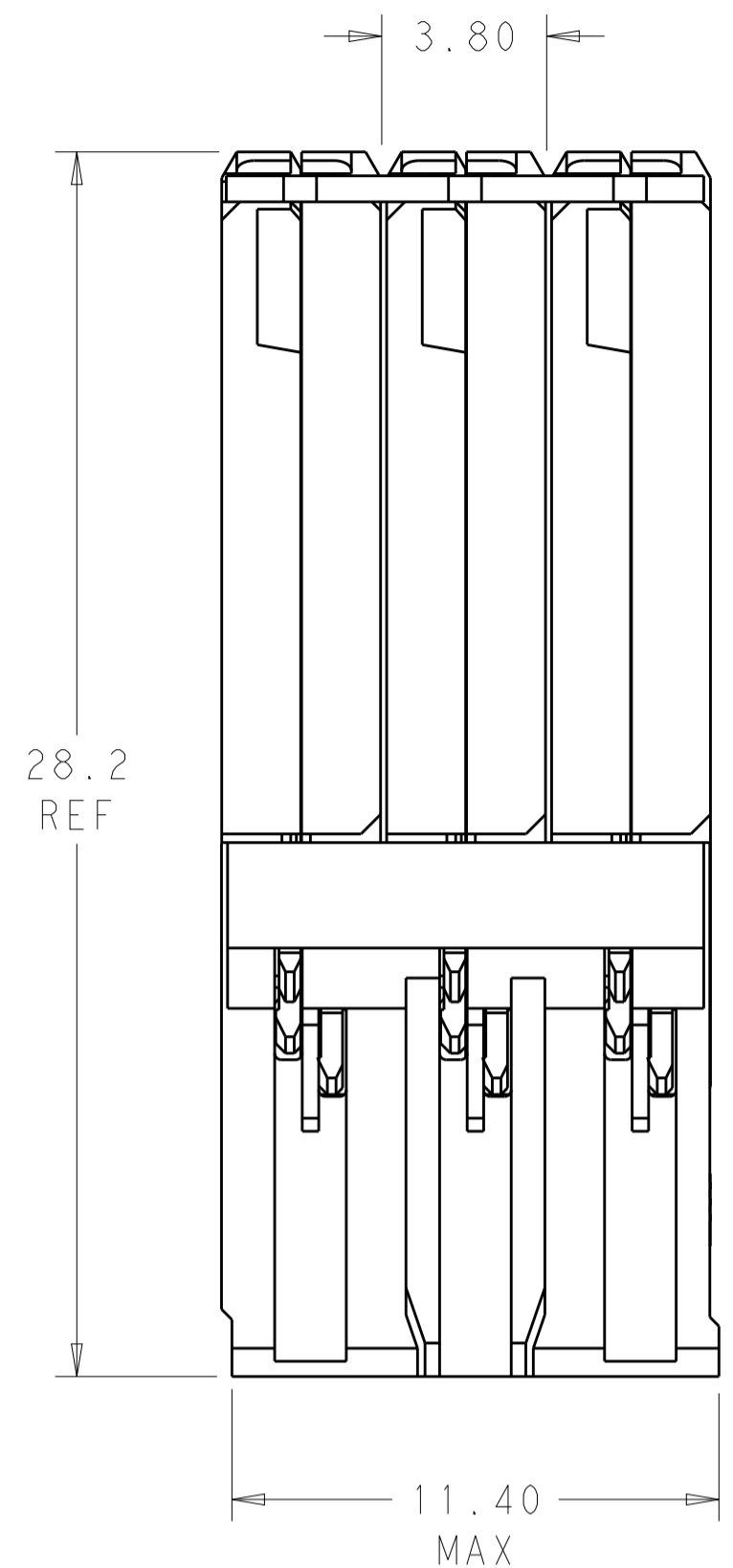
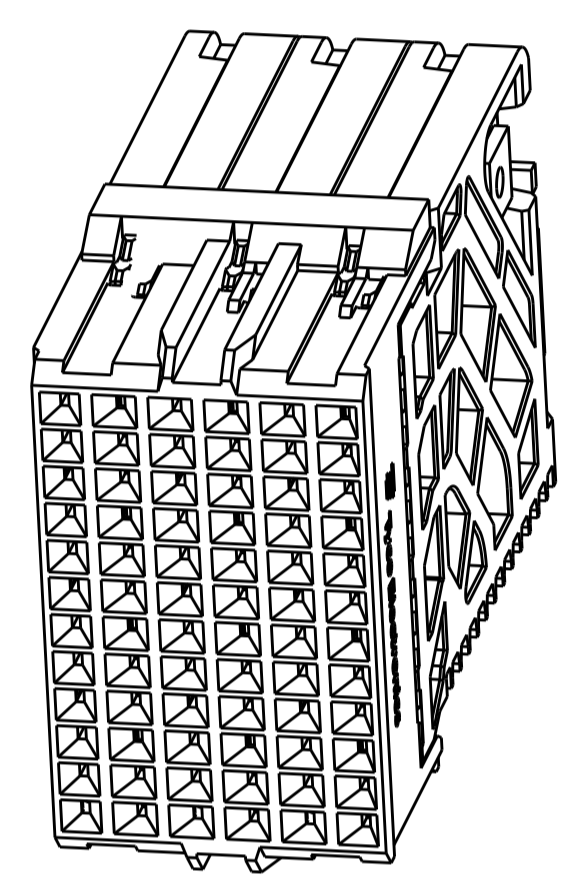


REVISIONS				
P.	LTN.	DESCRIPTION	DATE	APVD.
A		REVISED PER ECO-14-018036	18FEB2015	AP DD



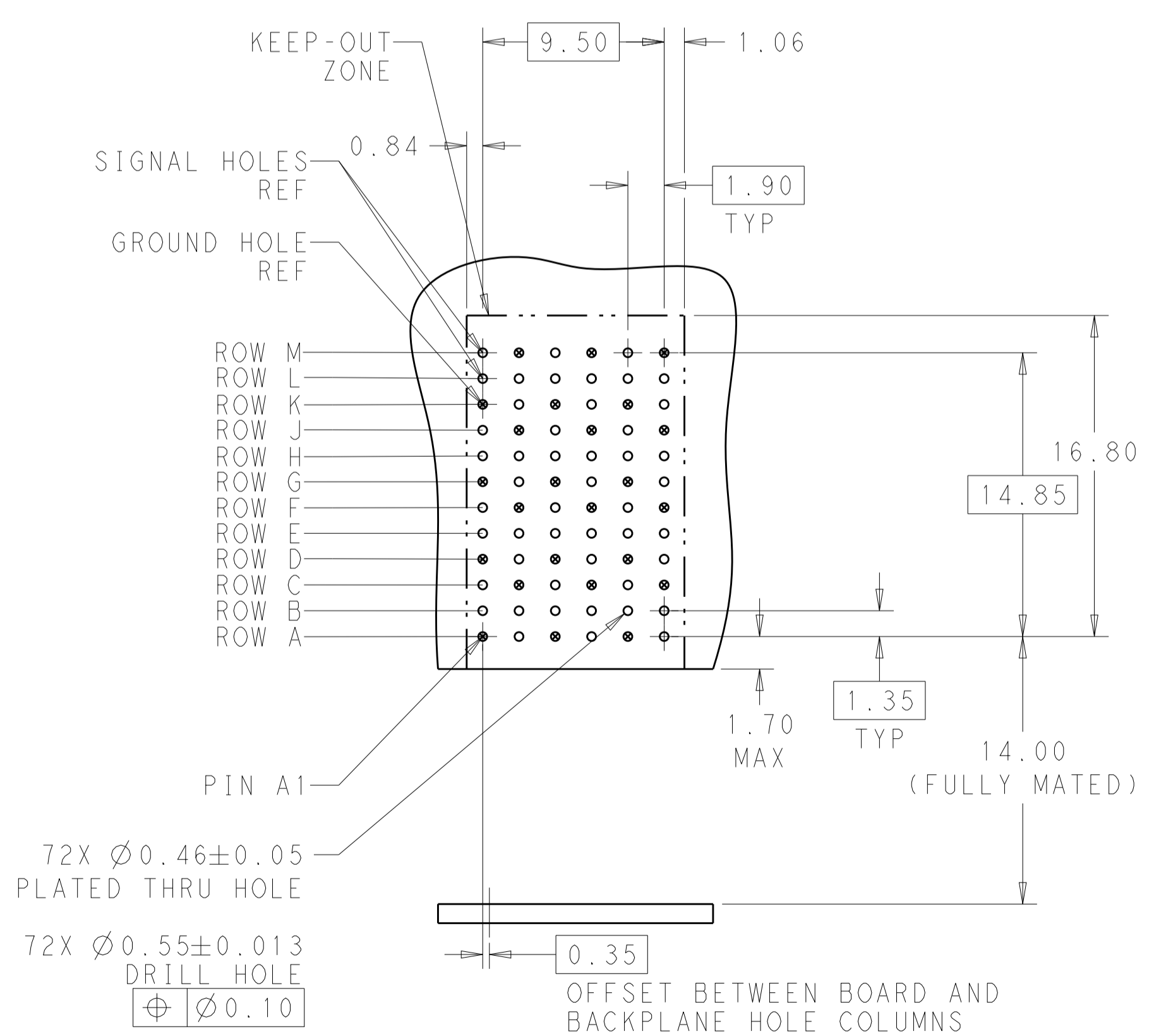
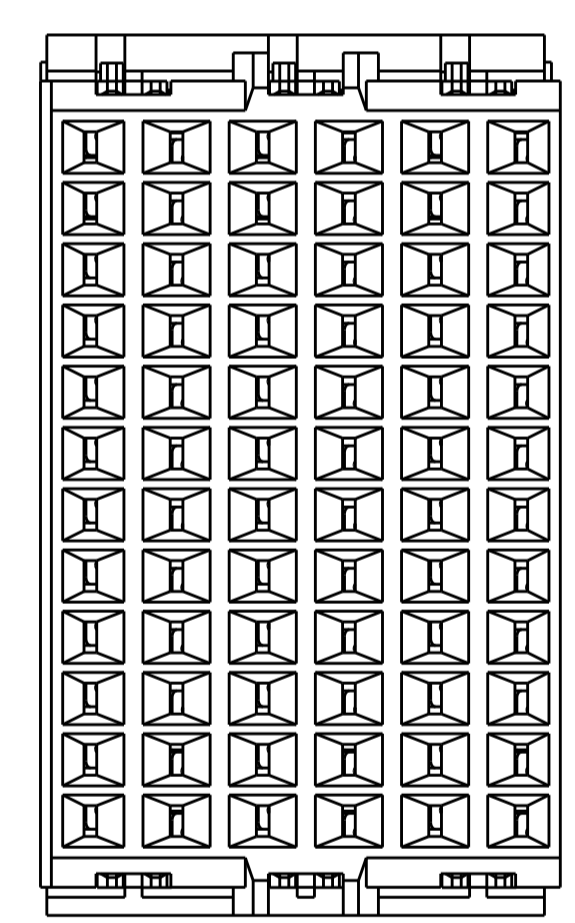
⚠ MATERIAL:
 HOUSING: LCP, GLASS FILLED, UL94V-0.
 TERMINALS: HIGH PERFORMANCE COPPER ALLOY.

⚠ FINISH:
 30µ" SELECTIVE GOLD IN CONTACT AREA. SELECTIVE TIN ON PCB TAILS, NICKEL OVERALL.



SCALE 4:1

REFER TO WWW.TE.COM FOR PRODUCT AVAILABILITY



RECOMMENDED PCB LAYOUT
 MIN BOARD THICKNESS 1.0

NONE	⚠	2132742-1
KEY POSITION	FINISH	PART NUMBER

THIS DRAWING IS A CONTROLLED DOCUMENT.		OWN B_CARBO 03AUG2011		NAME IMPACT, 4 PAIR, DAUGHTERCARD 6 COLUMN, UNGUIDED, SIGNAL MODULE, 0.46 EYELET
DIMENSIONS:		CHK D_DIXON 03AUG2011		
TOLERANCES UNLESS OTHERWISE SPECIFIED:		APVD D_DIXON 03AUG2011		
mm		PRODUCT SPEC		
0 PLC ± 1 PLC ±0.2 2 PLC ±0.13 3 PLC ± 4 PLC ± ANGLES ±		APPLICATION SPEC	SIZE CAGE CODE DRAWING NO	RESTRICTED TO
MATERIAL		WEIGHT	A100779C=2132742	-
SEE TABLE		Customer Drawing	SCALE 6:1	SHEET 1 OF 1
				REV A