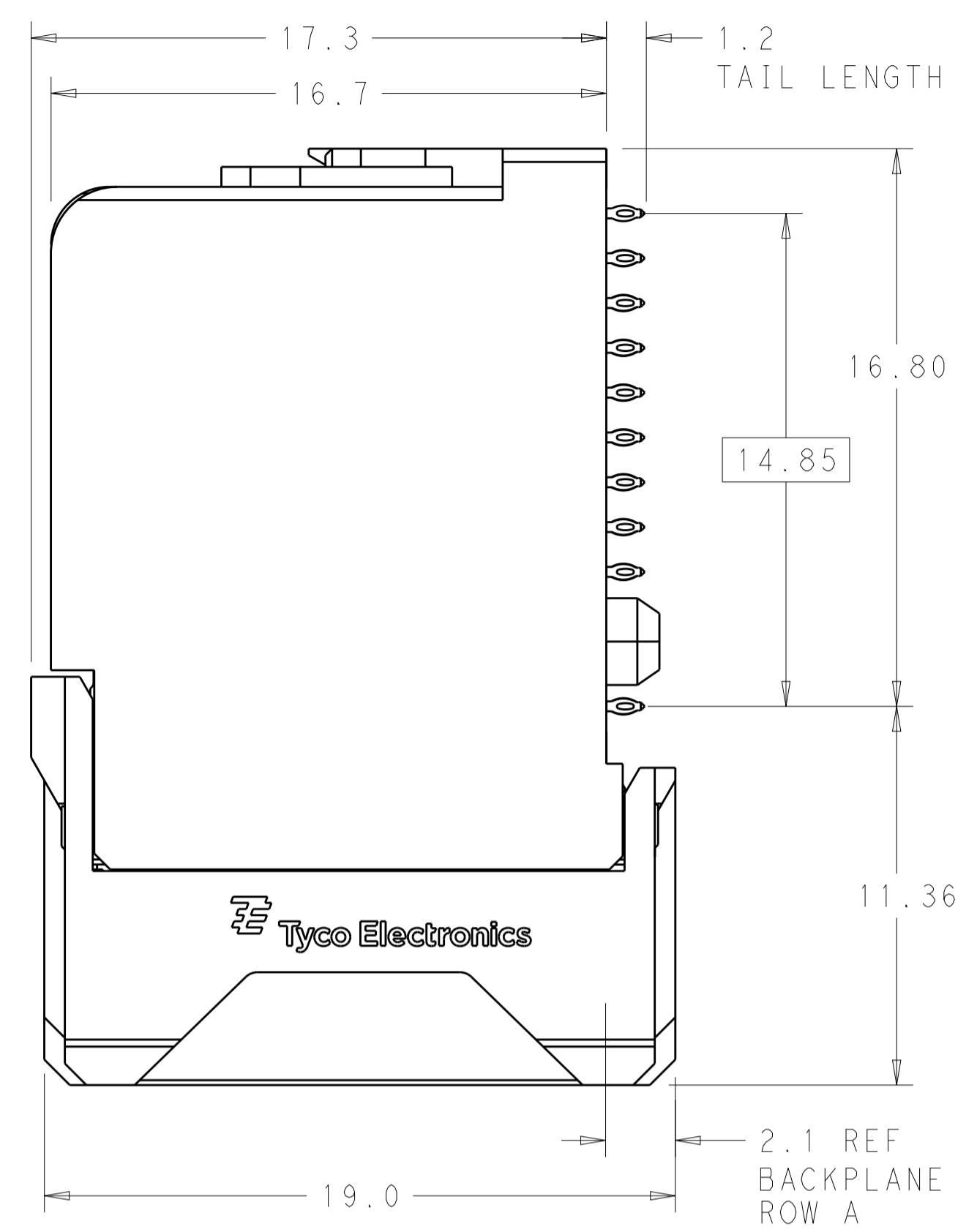
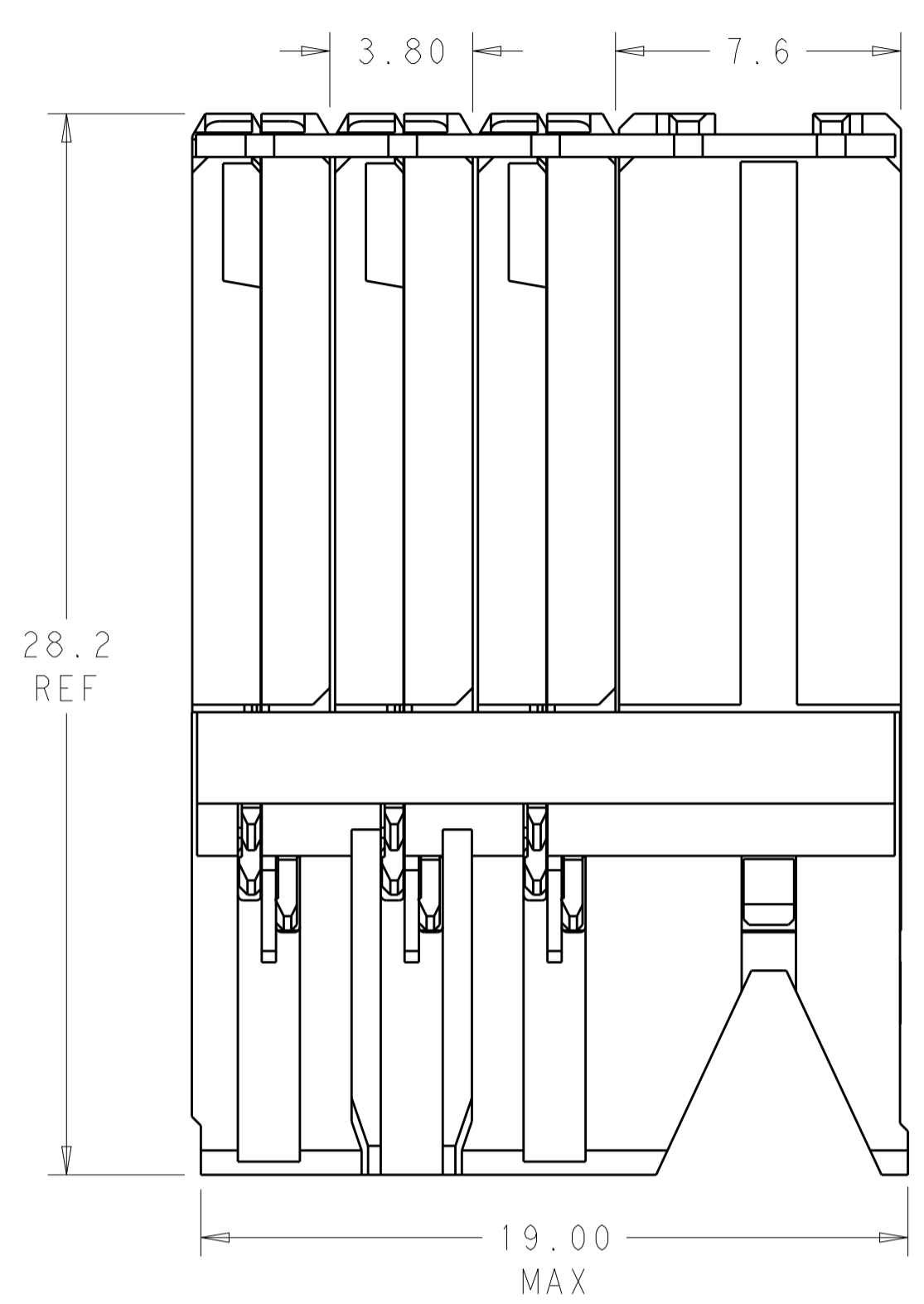
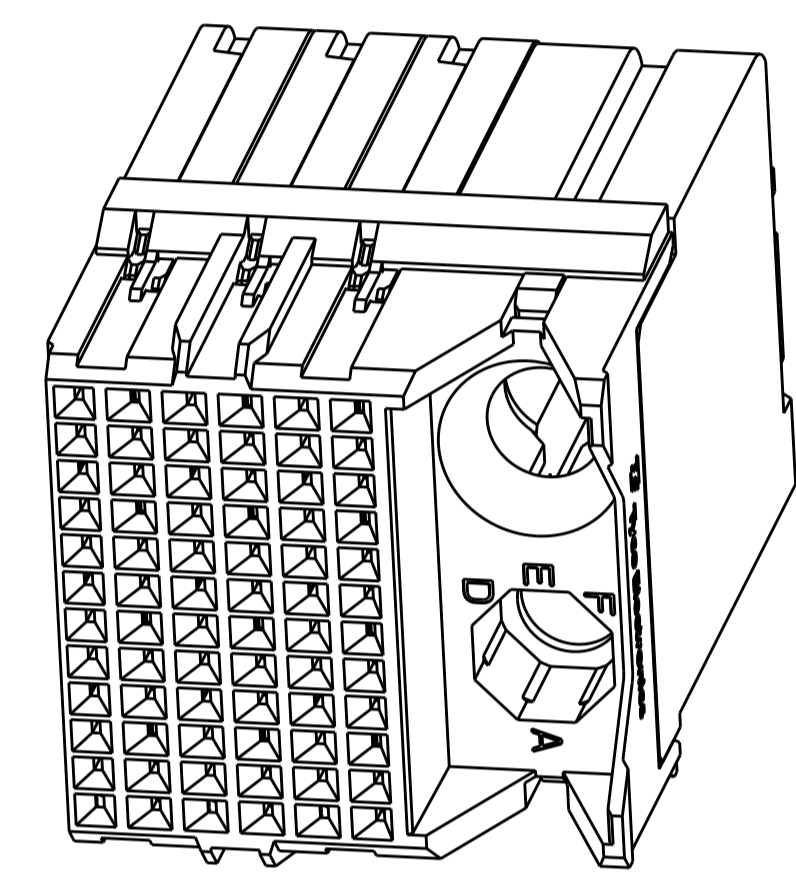


REVISIONS				
P.	LTN	DESCRIPTION	DATE	OWN APVD
C1		REVISED PER ECO-14-018036	18FEB2015	AP DD

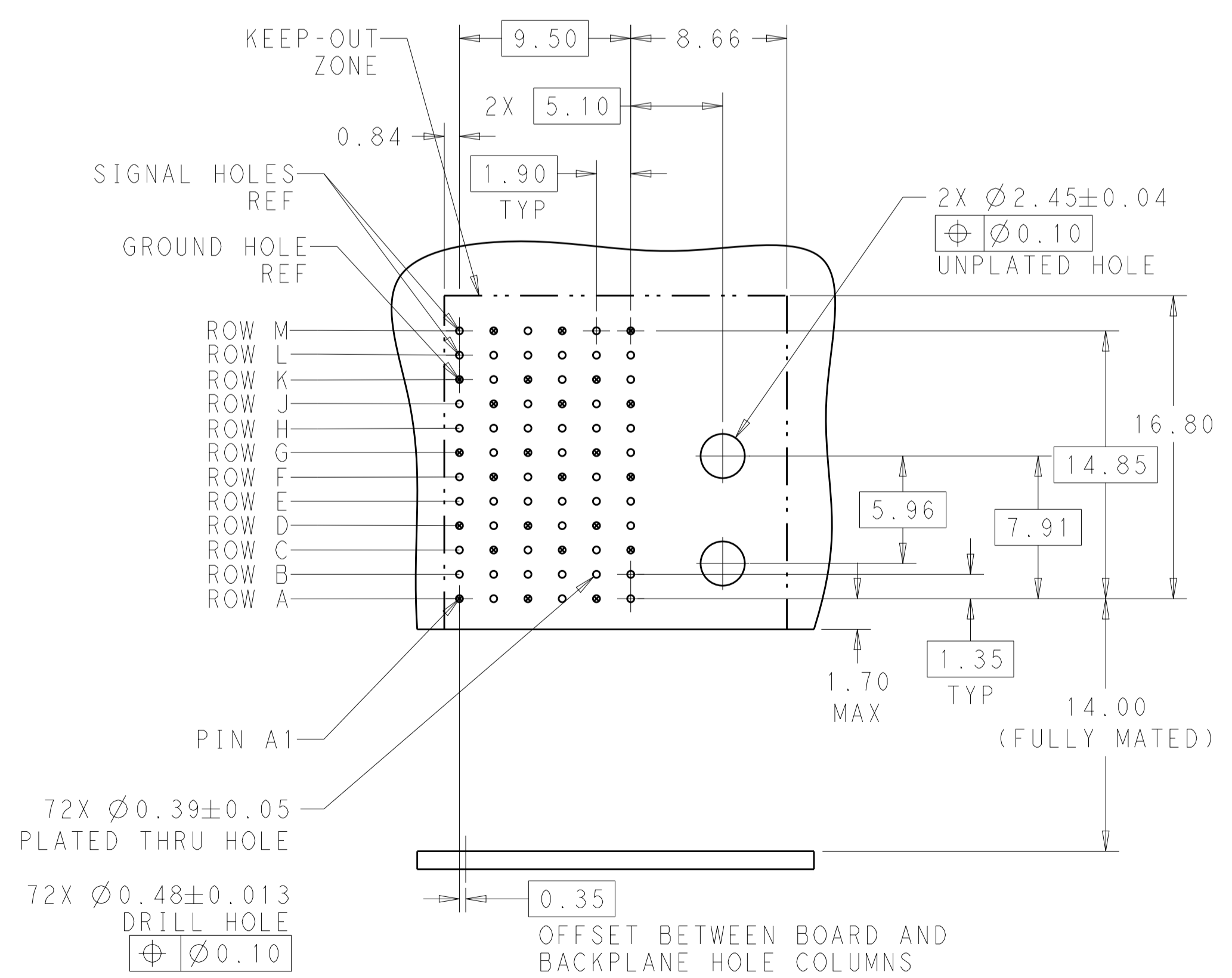
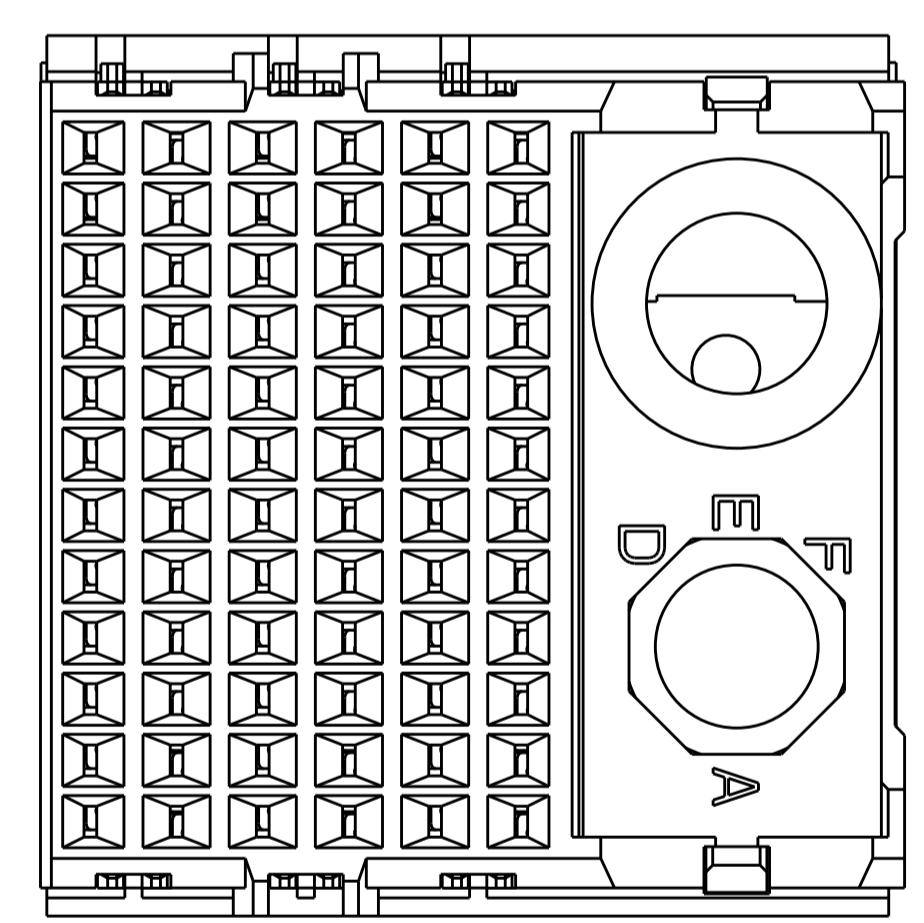


- MATERIAL:  
HOUSING: LCP, GLASS FILLED, UL94V-0.  
TERMINALS: HIGH PERFORMANCE COPPER ALLOY.
- FINISH:  
30µ" SELECTIVE GOLD IN CONTACT AREA. SELECTIVE TIN ON PCB TAILS, NICKEL OVERALL.
- 3. CONNECTORS SUPPLIED WITH MOUNTING SCREWS



SCALE 4:1

REFER TO WWW.TE.COM FOR PRODUCT AVAILABILITY



KEY POSITION CHART	
	NONE

72X Ø0.39±0.05 PLATED THRU HOLE  
 72X Ø0.48±0.013 DRILL HOLE  
 Ø0.10

RECOMMENDED PCB LAYOUT  
 MIN BOARD THICKNESS 1.0

KEY POSITION	FINISH	PART NUMBER
H	△	8-2132738-1
G	△	7-2132738-1
F	△	6-2132738-1
E	△	5-2132738-1
D	△	4-2132738-1
C	△	3-2132738-1
B	△	2-2132738-1
A	△	1-2132738-1
NONE	△	2132738-1

THIS DRAWING IS A CONTROLLED DOCUMENT.

DIMENSIONS:	TOLERANCES UNLESS OTHERWISE SPECIFIED:	OWN B. CARBO 28FEB2011	NAME
mm	0 PLC ±	CHK D. DIXON 28FEB2011	IMPACT, 4 PAIR, DAUGHTERCARD
	1 PLC ±0.25	APVD D. DIXON 28FEB2011	6 COLUMN, RIGHT GUIDED, SIGNAL
	2 PLC ±0.13		MODULE, 0.39 EYELET
	3 PLC ±		SIZE CAGE CODE DRAWING NO RESTRICTED TO
	4 PLC ±		A100779C=2132738
MATERIAL	ANGLES	WEIGHT	CUSTOMER DRAWING
SEE TABLE			SCALE 6:1 SHEET 1 OF 1 REV C1