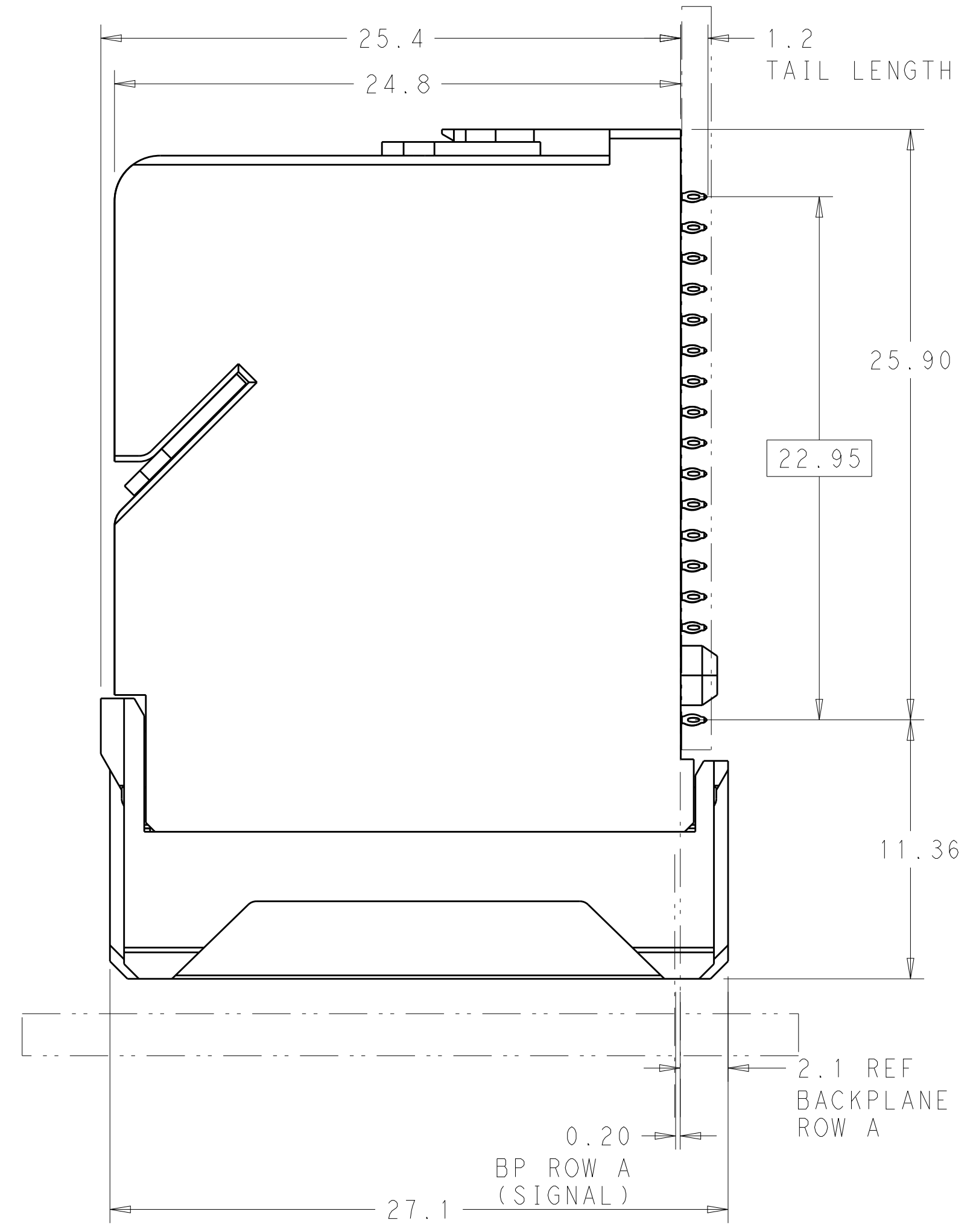
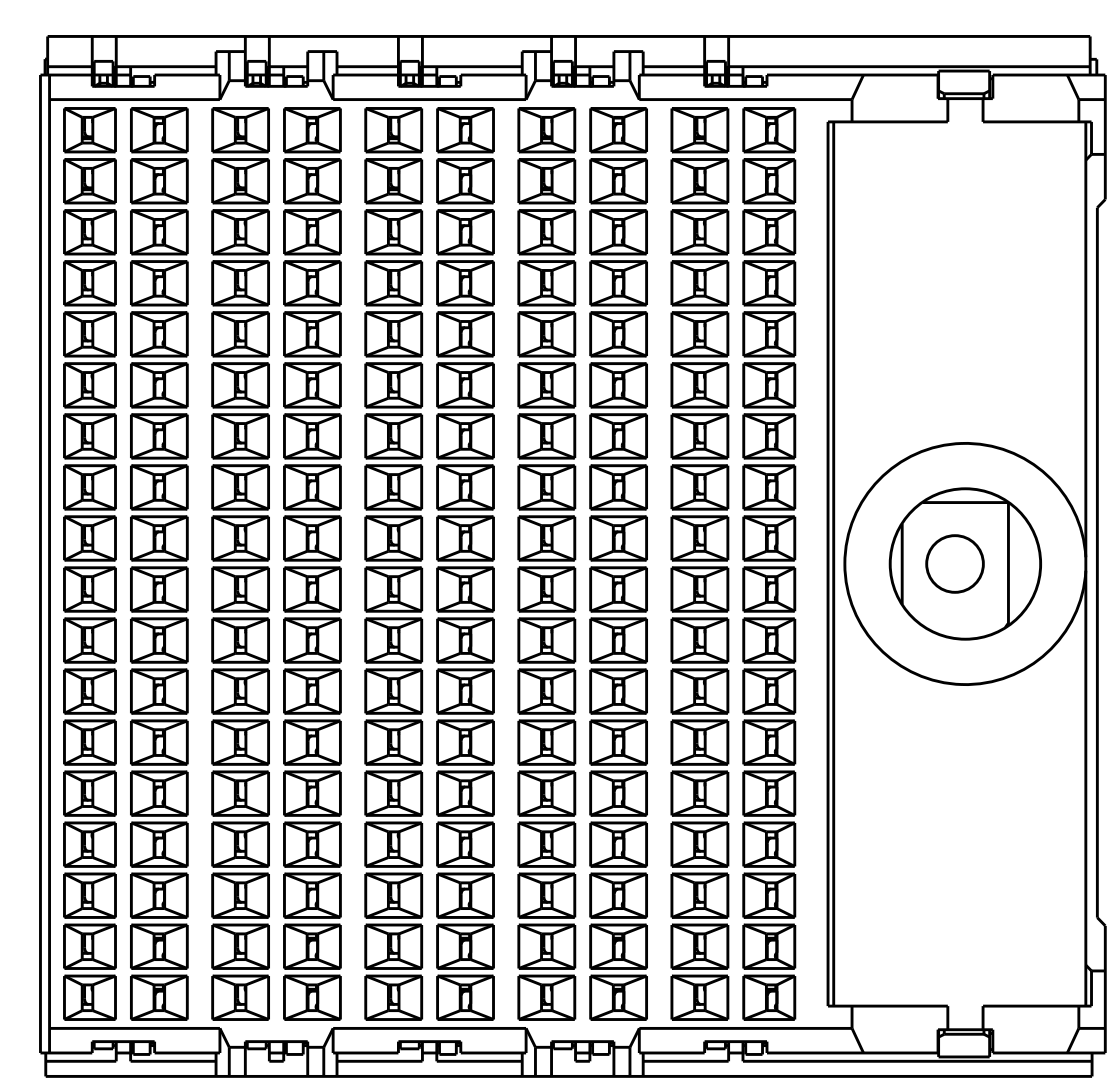
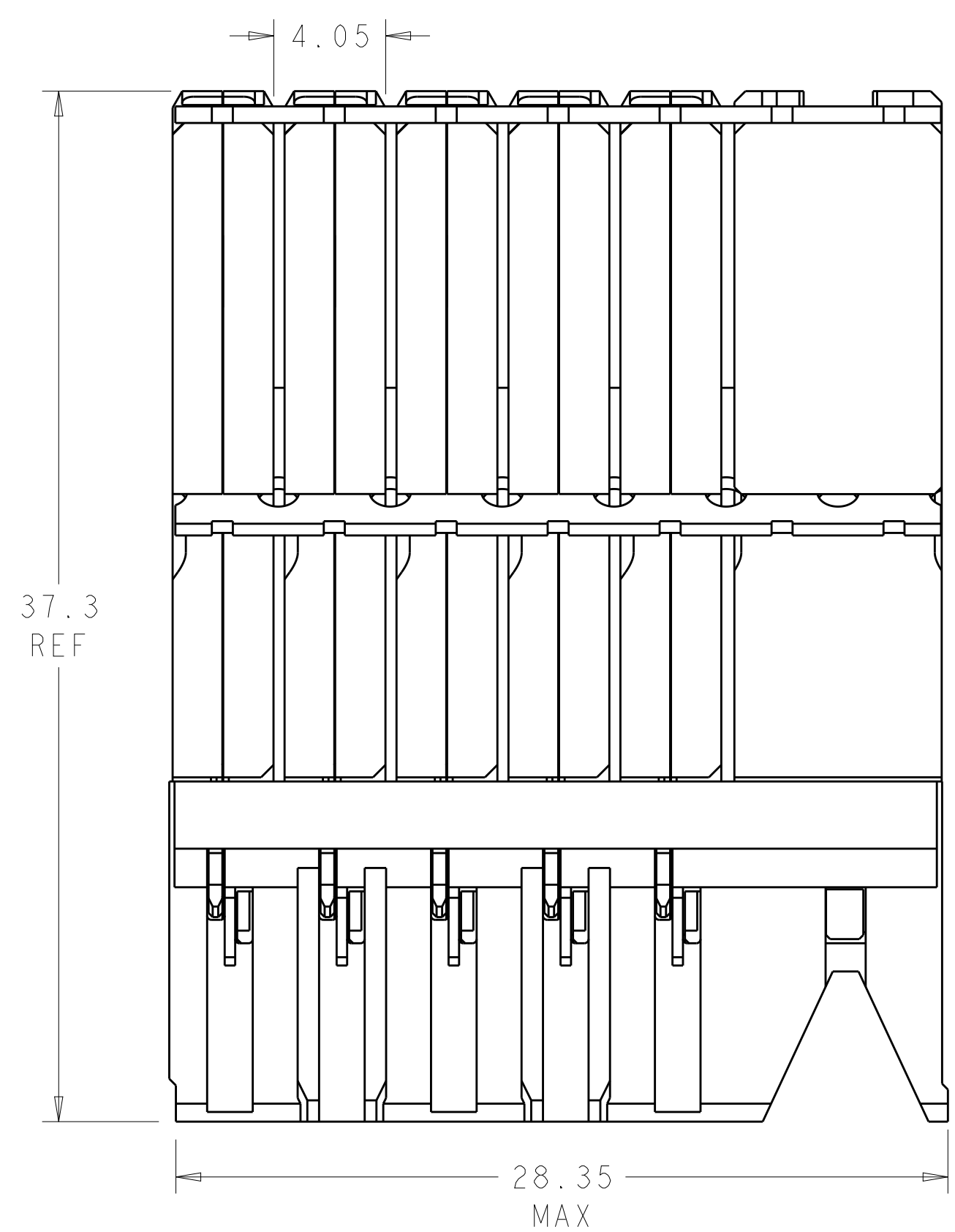
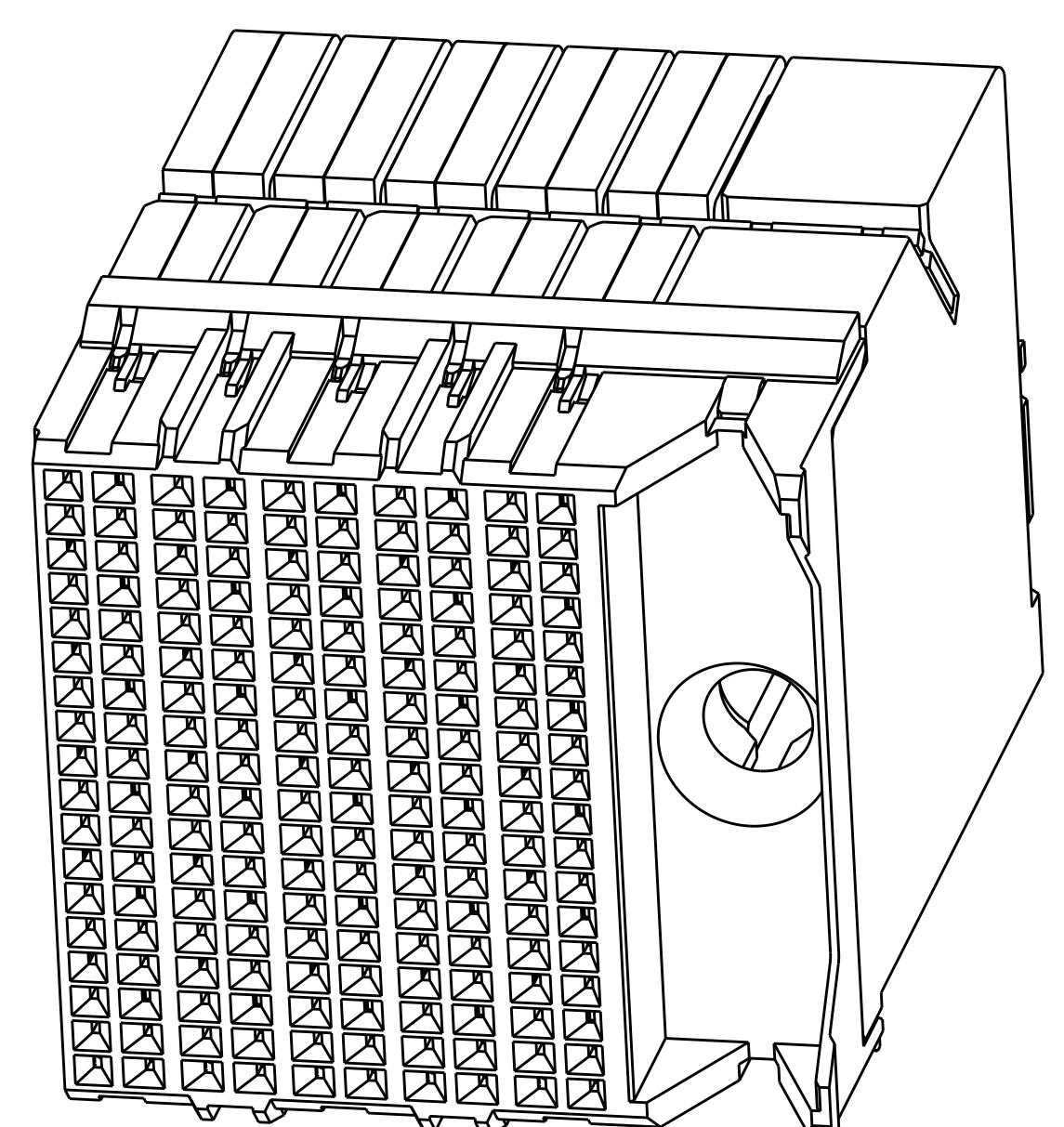


LOC		DIST		REVISIONS			
AD	00	P	LTN	DESCRIPTION	DATE	DWN	APVD
		C		REVISED PER ECO-15-001491	09MAR2015	AP	DD

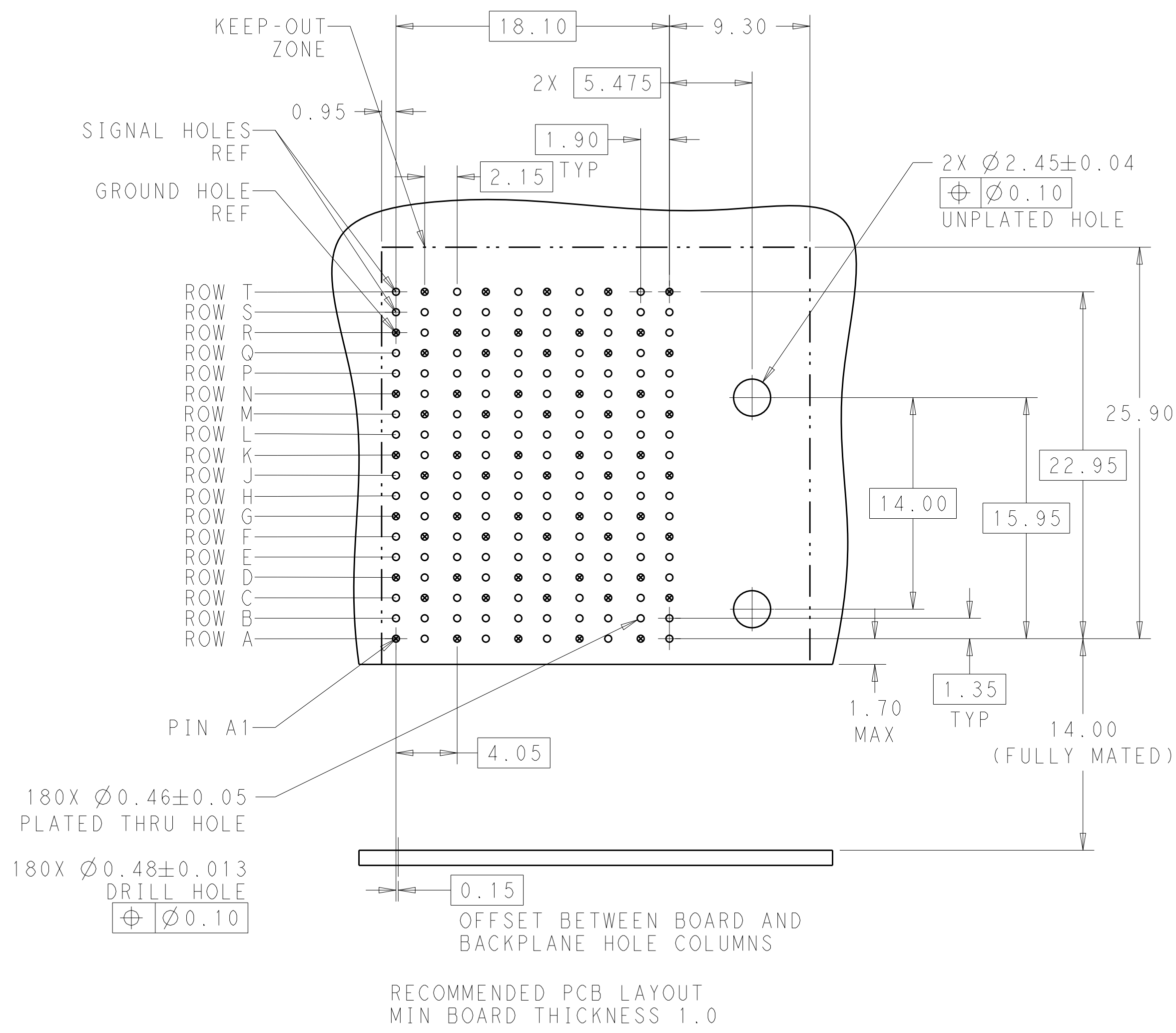


- ⚠ MATERIAL:
HOUSING: LCP, GLASS FILLED, UL94V-0.
TERMINALS: HIGH PERFORMANCE COPPER ALLOY.
- ⚠ FINISH:
30µ" SELECTIVE GOLD IN CONTACT AREA. SELECTIVE TIN ON PCB TAILS, NICKEL OVERALL.
- 3. CONNECTORS SUPPLIED WITH MOUNTING SCREWS.



SCALE 4:1

REFER TO WWW.TE.COM FOR PRODUCT AVAILABILITY



RECOMMENDED PCB LAYOUT
 MIN BOARD THICKNESS 1.0

NONE	⚠	2132725-1
KEY POSITION	FINISH	PART NUMBER

THIS DRAWING IS A CONTROLLED DOCUMENT.		DWN	11MAY2011	TE Connectivity
DIMENSIONS:		CHK	11MAY2011	
mm	0 PLC ±	APVD	11MAY2011	NAME IMPACT, ORTHOGONAL, 6 PAIR, DAUGHTERCARD, 10 COLUMN, RIGHT GUIDED, SIGNAL MODULE, 0.46 EYELET
	1 PLC ±0.25	PRODUCT SPEC		
	2 PLC ±0.15	APPLICATION SPEC		
	3 PLC ±	WEIGHT		
	4 PLC ±	CUSTOMER DRAWING		SIZE CAGE CODE DRAWING NO A100779C=2132725
MATERIAL	FINISH SEE TABLE	SCALE	5:1	SHEET 1 OF 1 REV C