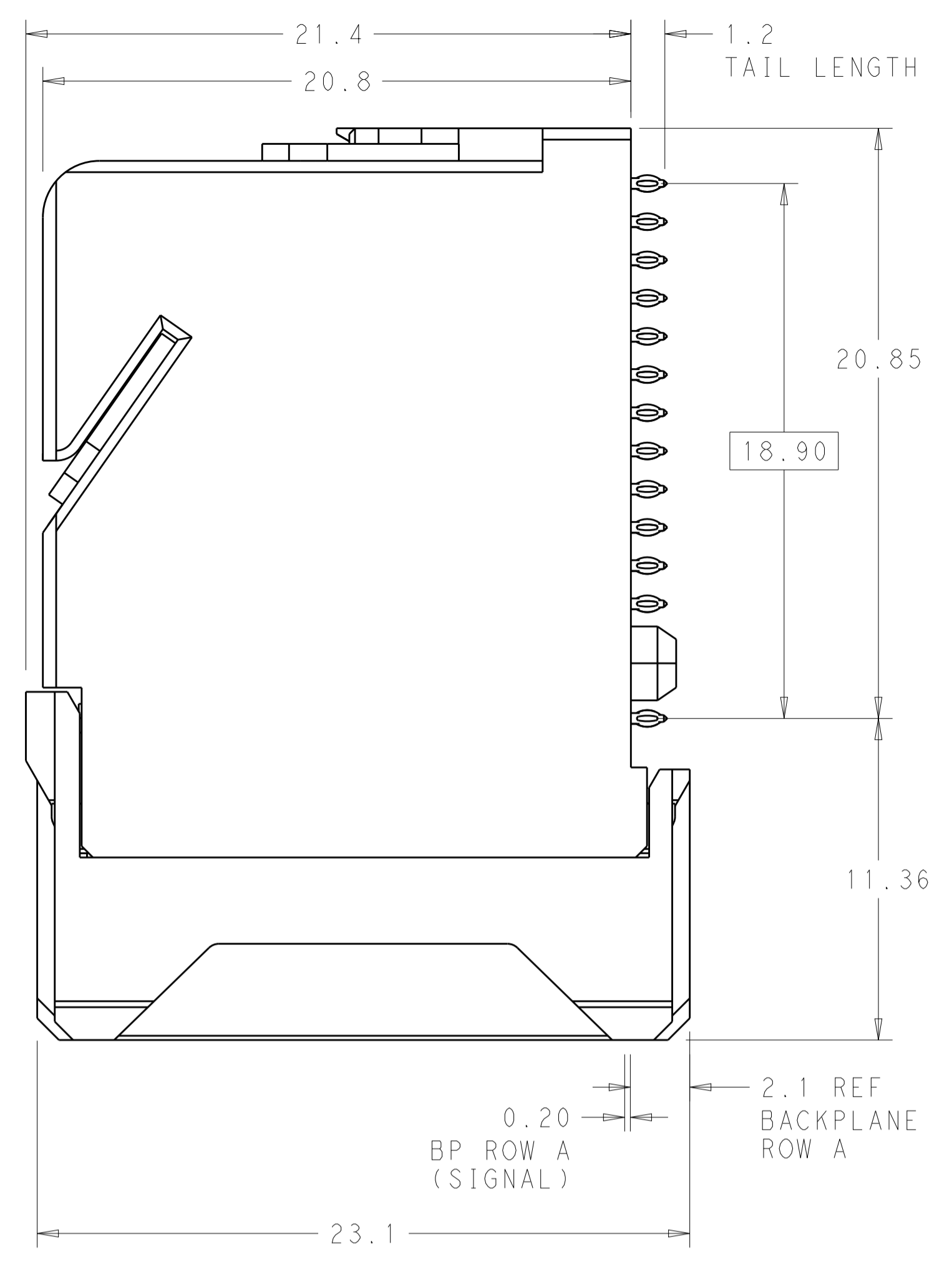
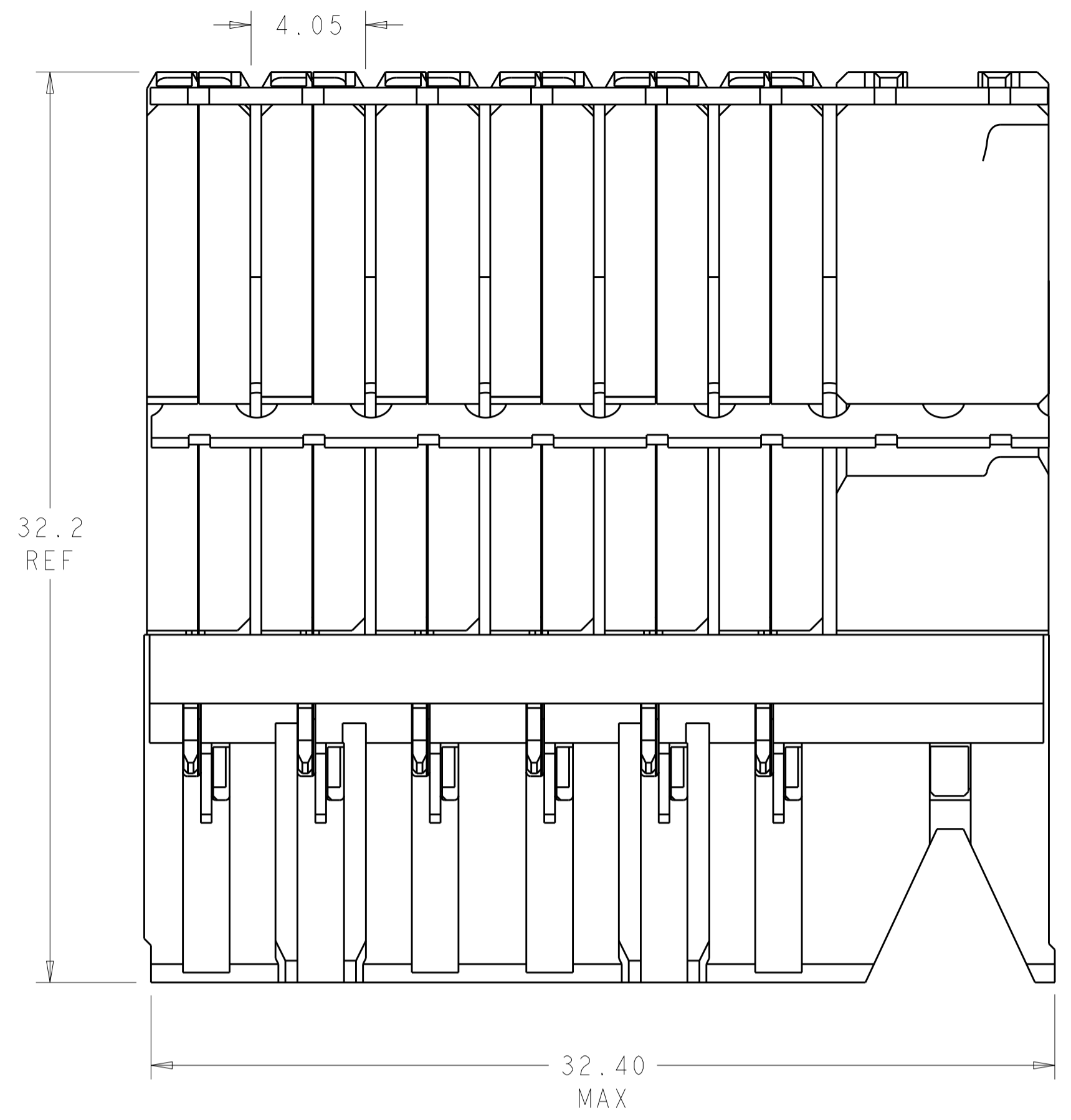


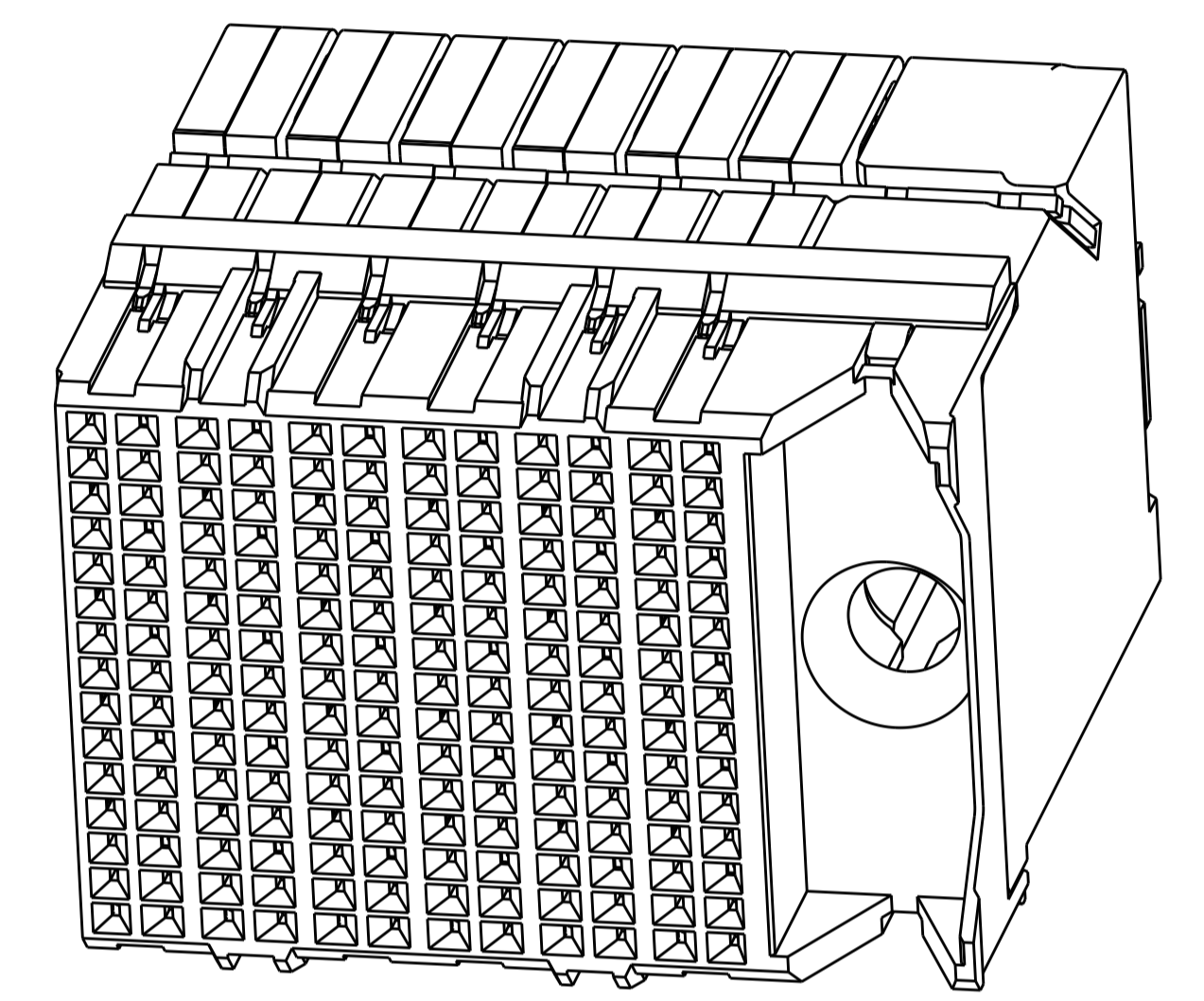
LOC		DIST		REVISIONS			
AD	00	P	LTN	DESCRIPTION	DATE	DWN	APVD
		D		REVISED PER ECO-15-004915	13APR2015	AP	DD



⚠ MATERIAL:  
HOUSING: LCP, GLASS FILLED, UL94V-0.  
TERMINALS: HIGH PERFORMANCE COPPER ALLOY.

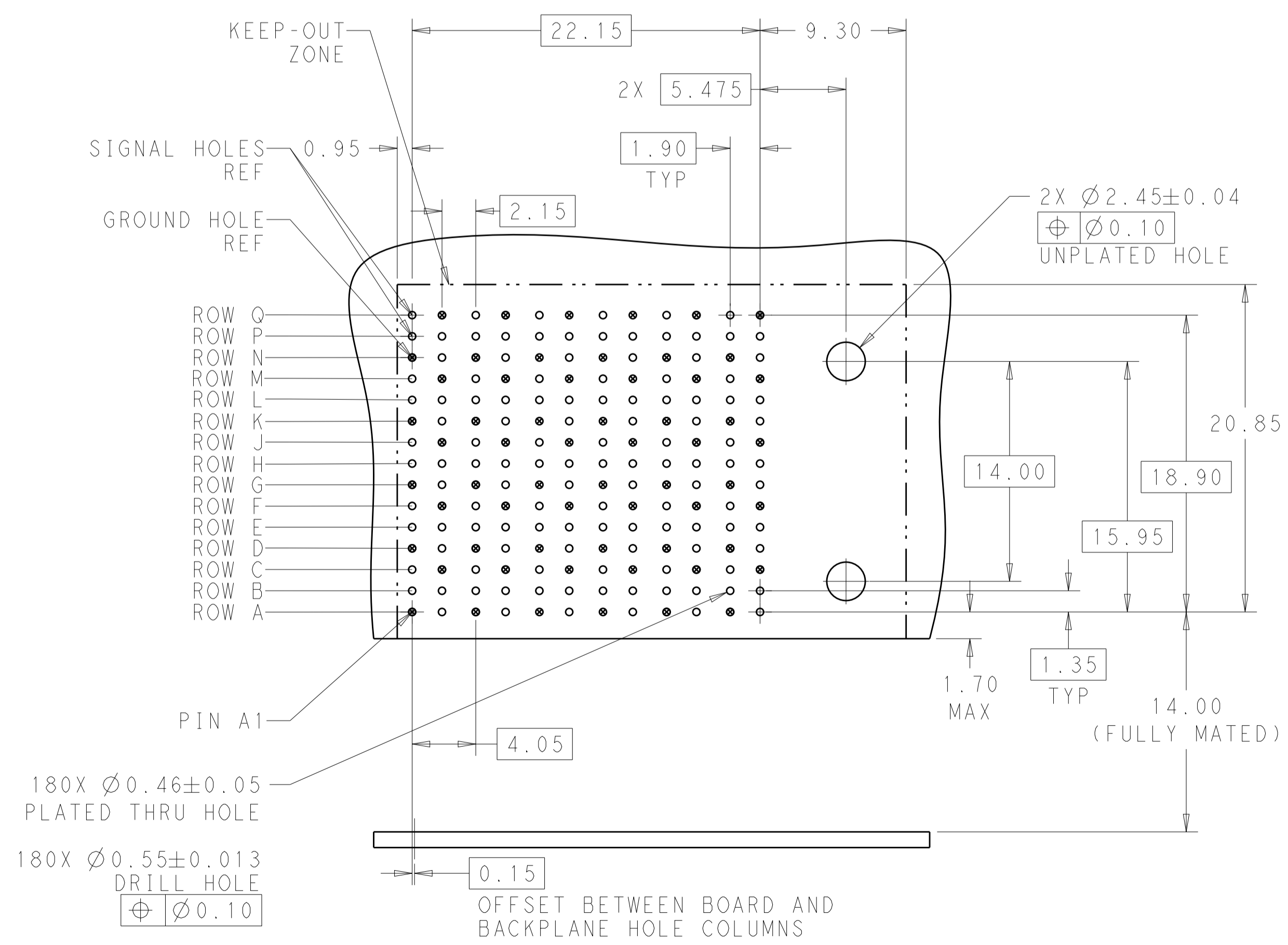
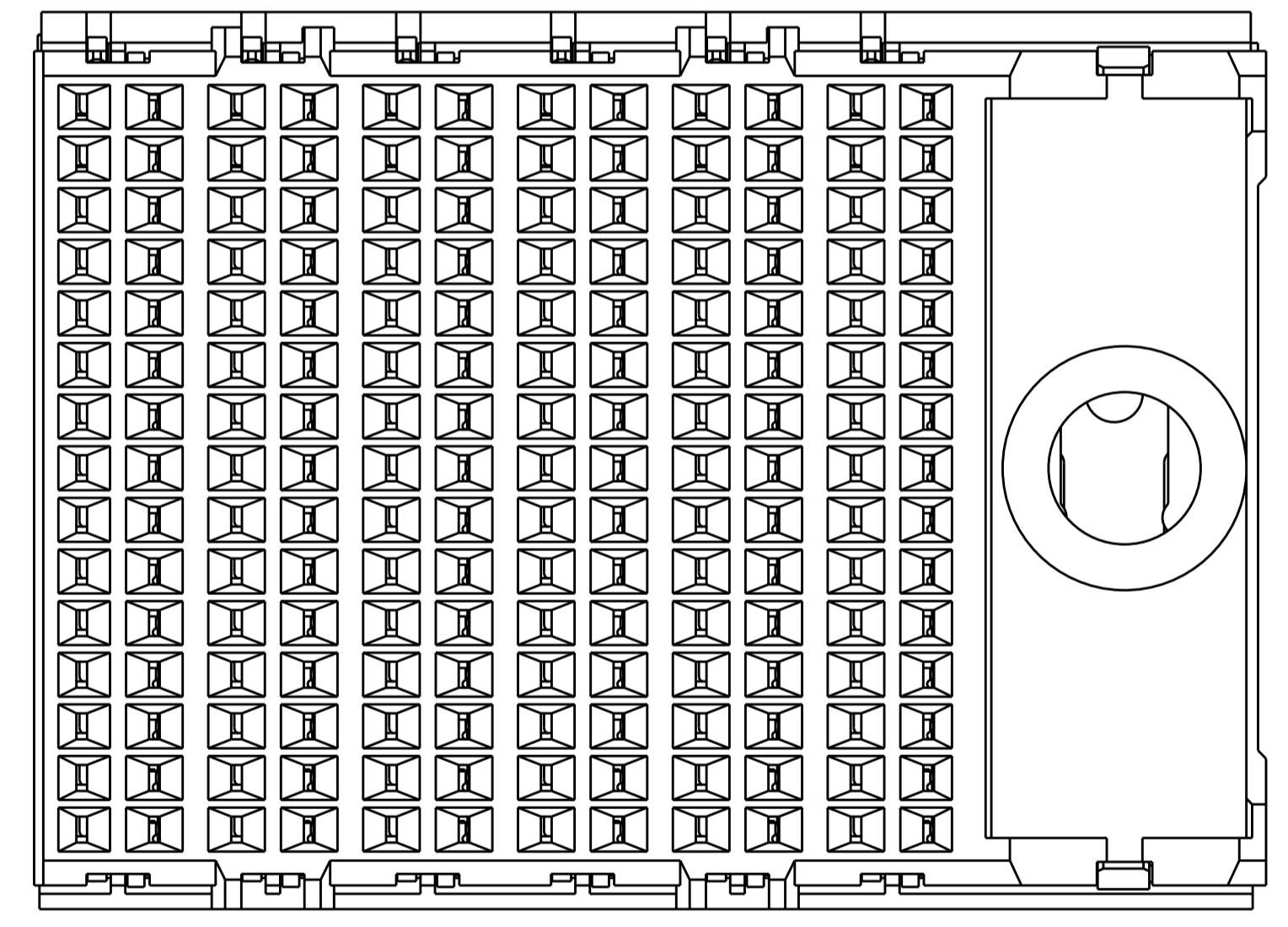
⚠ FINISH:  
30µ" SELECTIVE GOLD IN CONTACT AREA. SELECTIVE TIN ON PCB TAILS, NICKEL OVERALL.

3. CONNECTORS SUPPLIED WITH MOUNTING SCREWS.



SCALE 4:1

REFER TO WWW.TE.COM FOR PRODUCT AVAILABILITY



180X Ø0.46±0.05 PLATED THRU HOLE

180X Ø0.55±0.013 DRILL HOLE  
Ø0.10

RECOMMENDED PCB LAYOUT  
MIN BOARD THICKNESS 1.0

NONE	⚠	2132706-1
KEY POSITION	FINISH	PART NUMBER
DIMENSIONS: mm 0 PLC ± 1 PLC ±0.25 2 PLC ±0.15 3 PLC ± 4 PLC ± ANGLES ±		TOLERANCES UNLESS OTHERWISE SPECIFIED: FINISH SEE TABLE
THIS DRAWING IS A CONTROLLED DOCUMENT. DWN: B. CARBO 09MAR2011 CHK: D. DIXON 09MAR2011 APVD: D. DIXON 09MAR2011		NAME: IMPACT, ORTHOGONAL, 5 PAIR, DAUGHTERCARD, 12 COLUMN, RIGHT GUIDED, SIGNAL MODULE, 0.46 EYELET SIZE: A1 CAGE CODE: 00779 DRAWING NO: 2132706 RESTRICTED TO:
MATERIAL: ⚠ CUSTOMER DRAWING		WEIGHT: - SCALE: 6:1 SHEET: 1 OF 1 REV: D