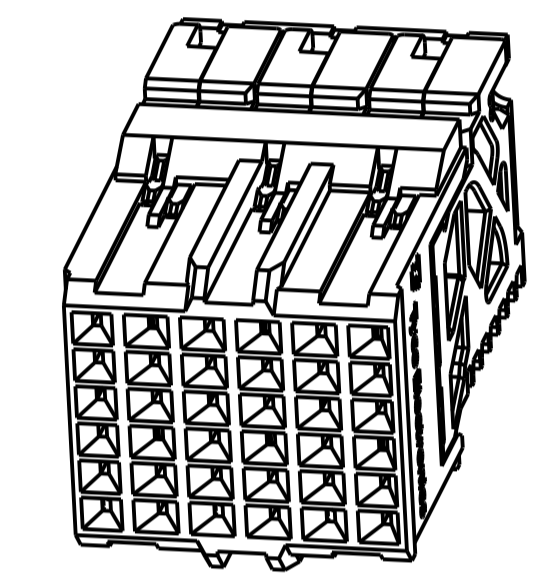
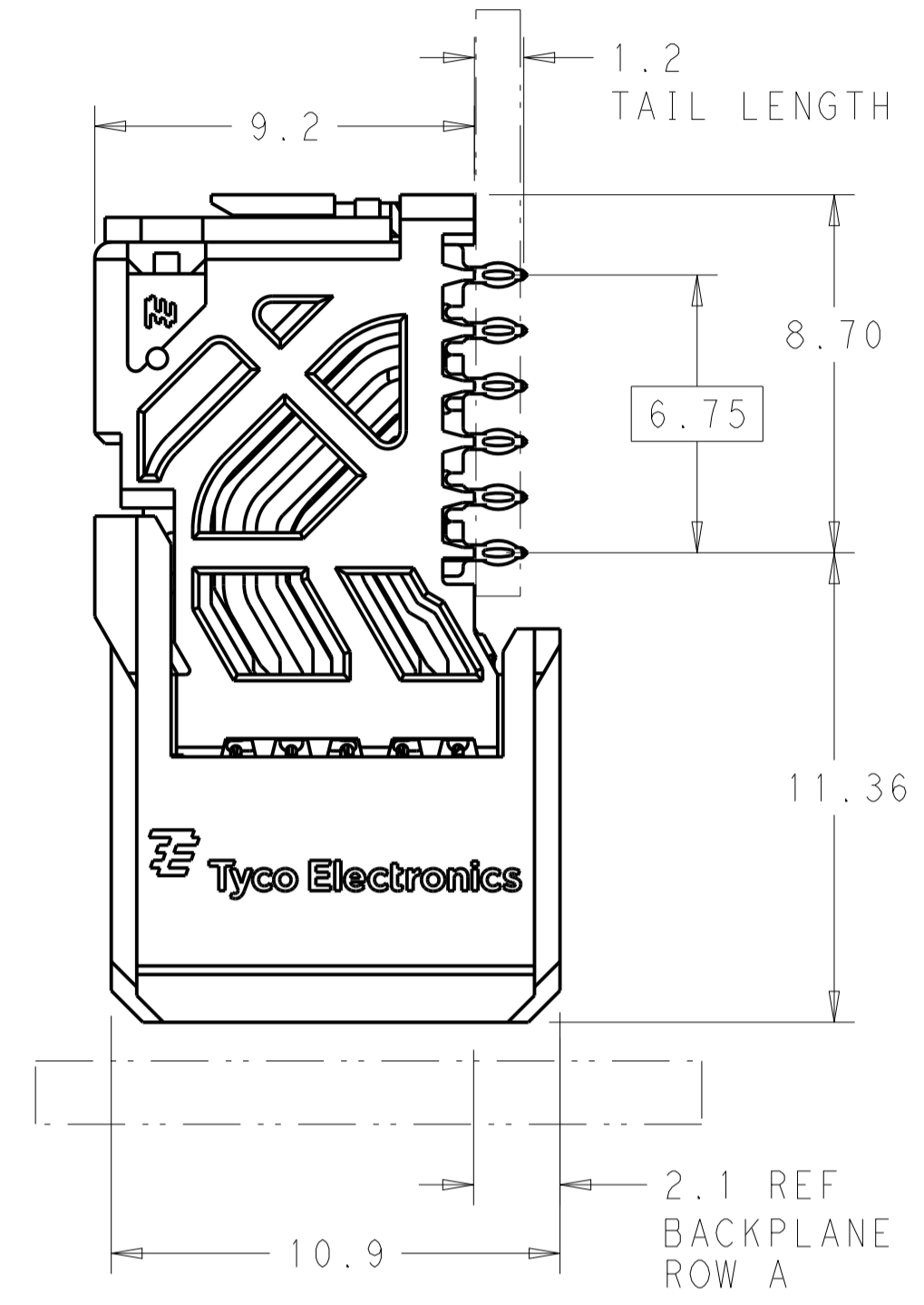
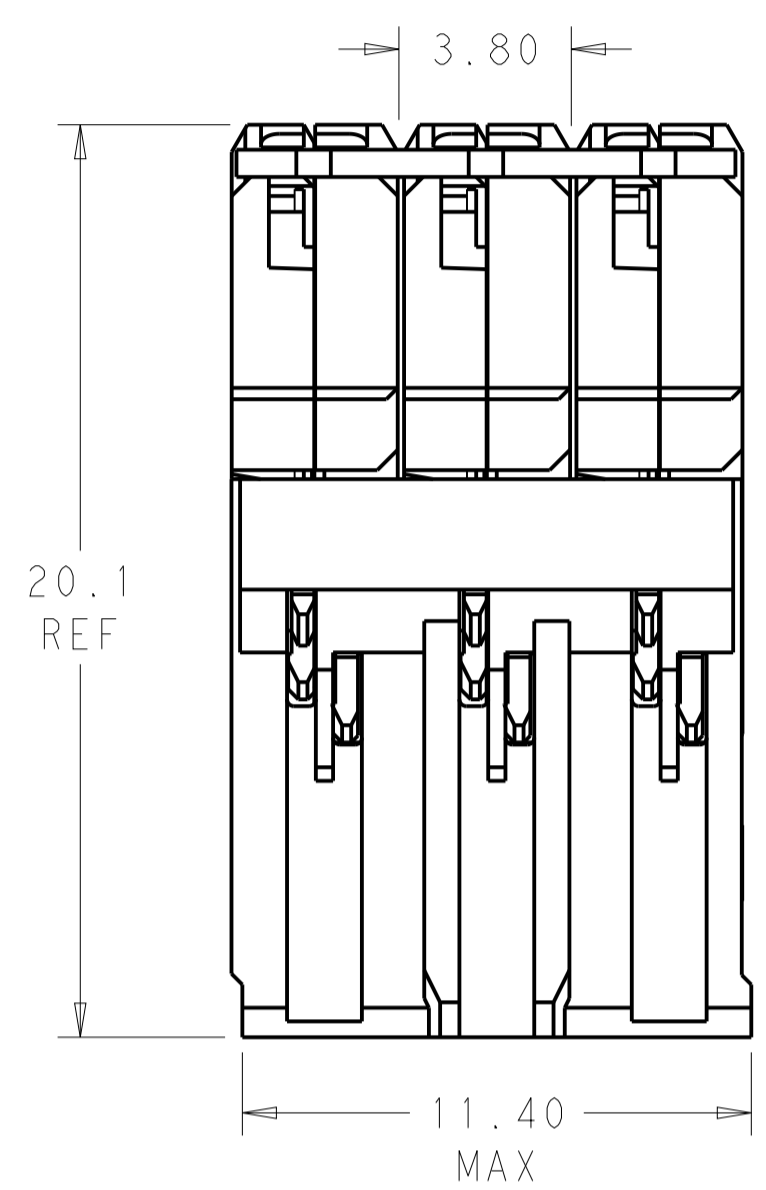


REVISIONS				
P.	LTN	DESCRIPTION	DATE	APVD
A		REVISED PER ECO-14-017984	04DEC2014	AP DD

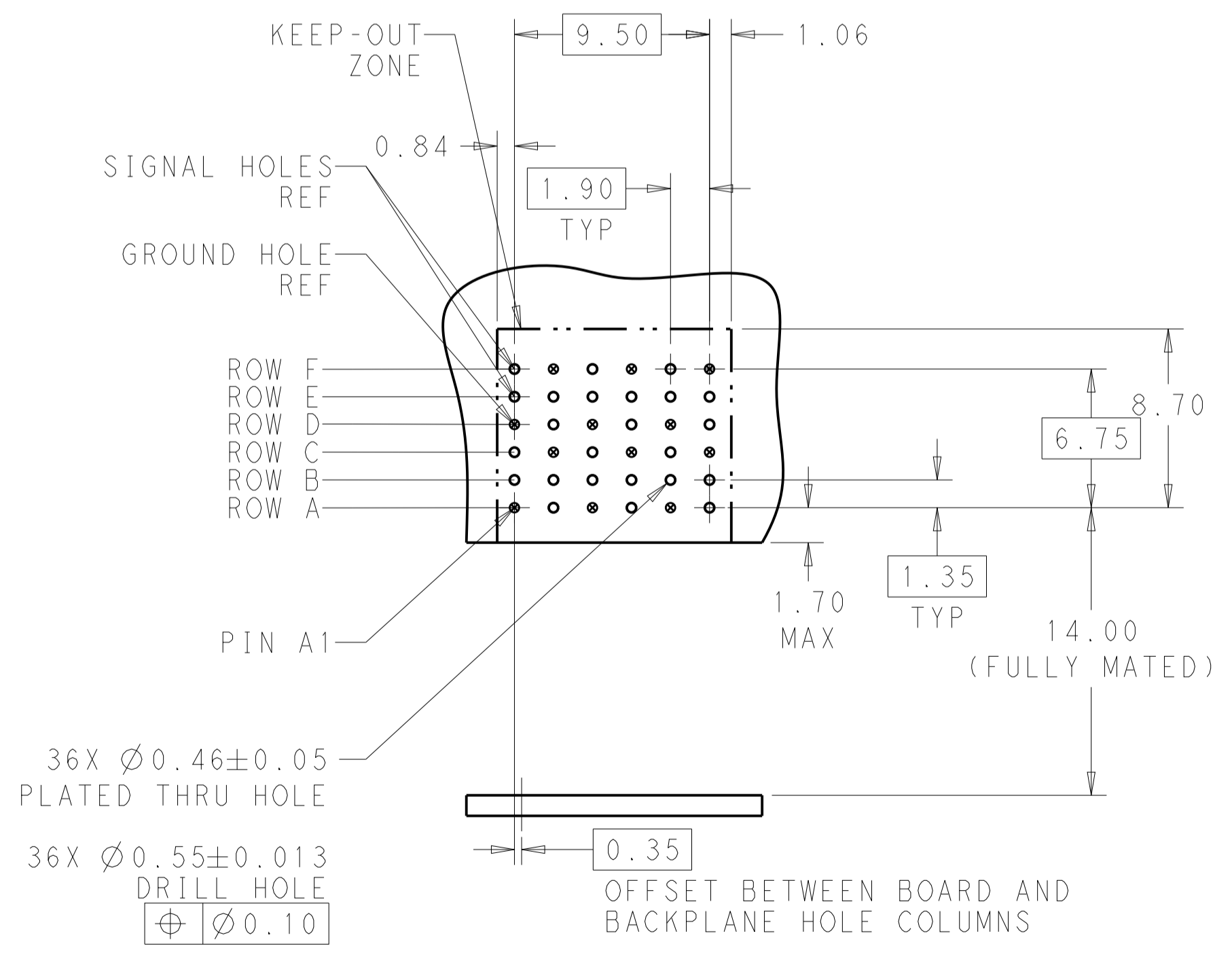
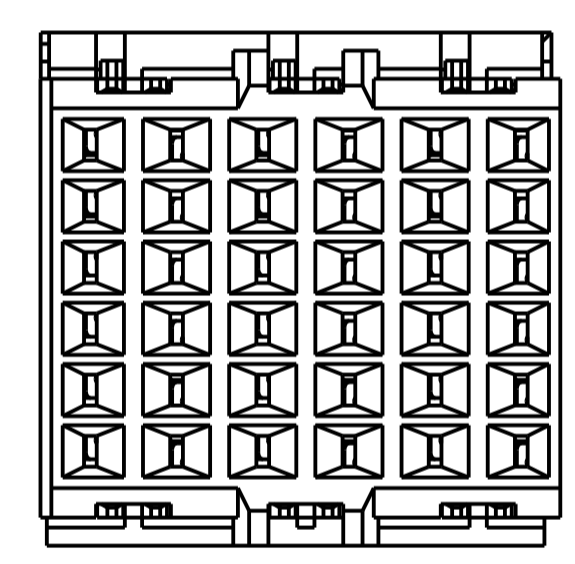
⚠ MATERIAL:  
 HOUSING: LCP, GLASS FILLED, UL94V-0.  
 TERMINALS: HIGH PERFORMANCE COPPER ALLOY.

⚠ FINISH:  
 30µ" SELECTIVE GOLD IN CONTACT AREA. SELECTIVE TIN  
 ON PCB TAILS, NICKEL OVERALL.



SCALE 4:1

REFER TO WWW.TE.COM  
 FOR PRODUCT AVAILABILITY



RECOMMENDED PCB LAYOUT  
 MIN BOARD THICKNESS 1.6

NONE	⚠	2132653-1
KEY POSITION	FINISH	PART NUMBER

THIS DRAWING IS A CONTROLLED DOCUMENT.		DWN Z. MILLER 28SEP2010		NAME: IMPACT, 2 PAIR, DAUGHTERCARD 6 COLUMN, UNGUIDED, SIGNAL MODULE, 0.46 EYELET
DIMENSIONS: mm		CHK D. DIXON 28SEP2010		
TOLERANCES UNLESS OTHERWISE SPECIFIED:		APVD D. DIXON 28SEP2010		
0 PLC ± 1 PLC ±0.2 2 PLC ±0.13 3 PLC ± 4 PLC ± ANGLES ±		PRODUCT SPEC APPLICATION SPEC SIZE CAGE CODE DRAWING NO WEIGHT RESTRICTED TO		
MATERIAL: SEE TABLE		Customer Drawing	A100779C=2132653 SCALE 6:1 SHEET 1 OF 1 REV A	