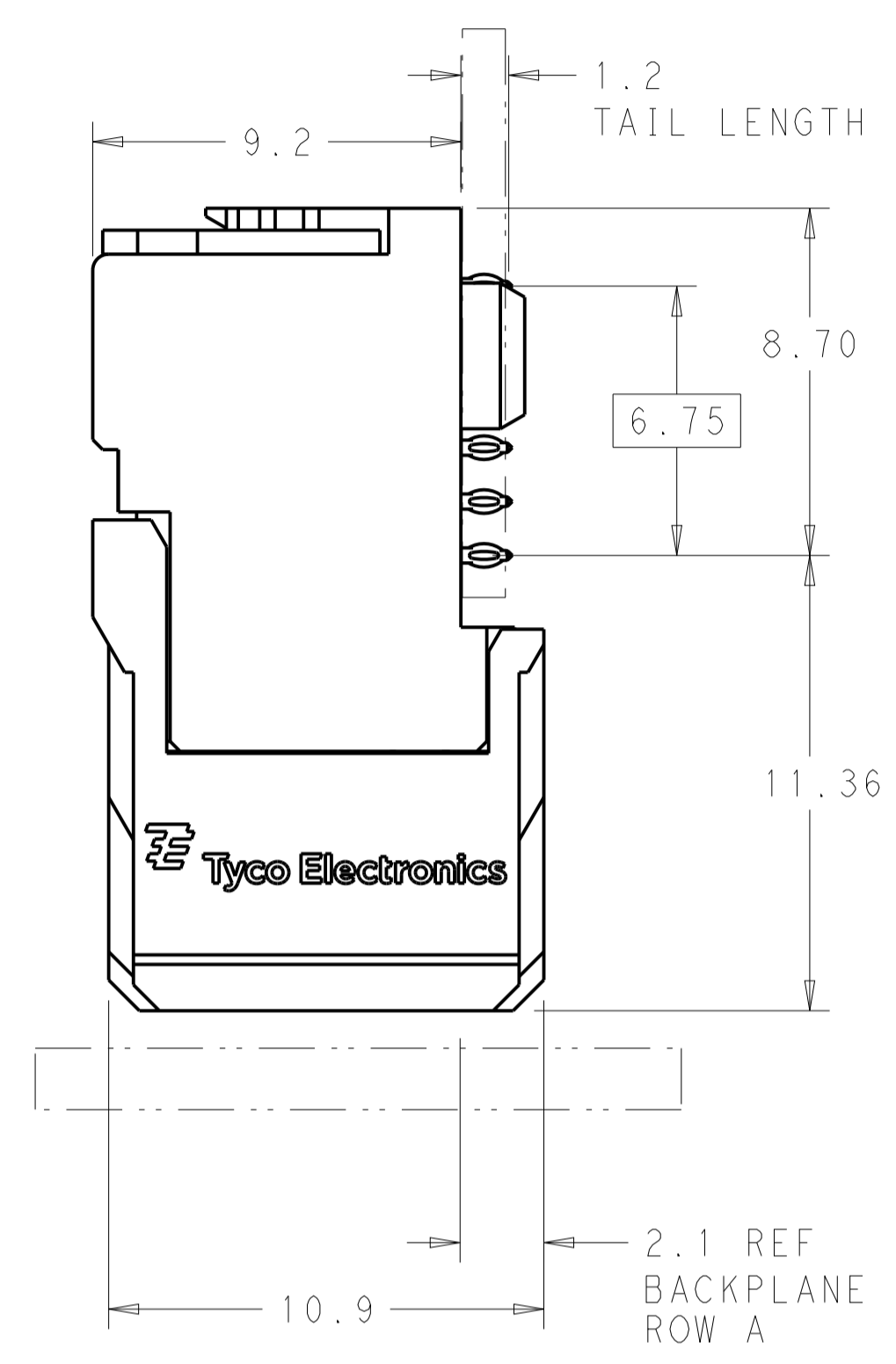
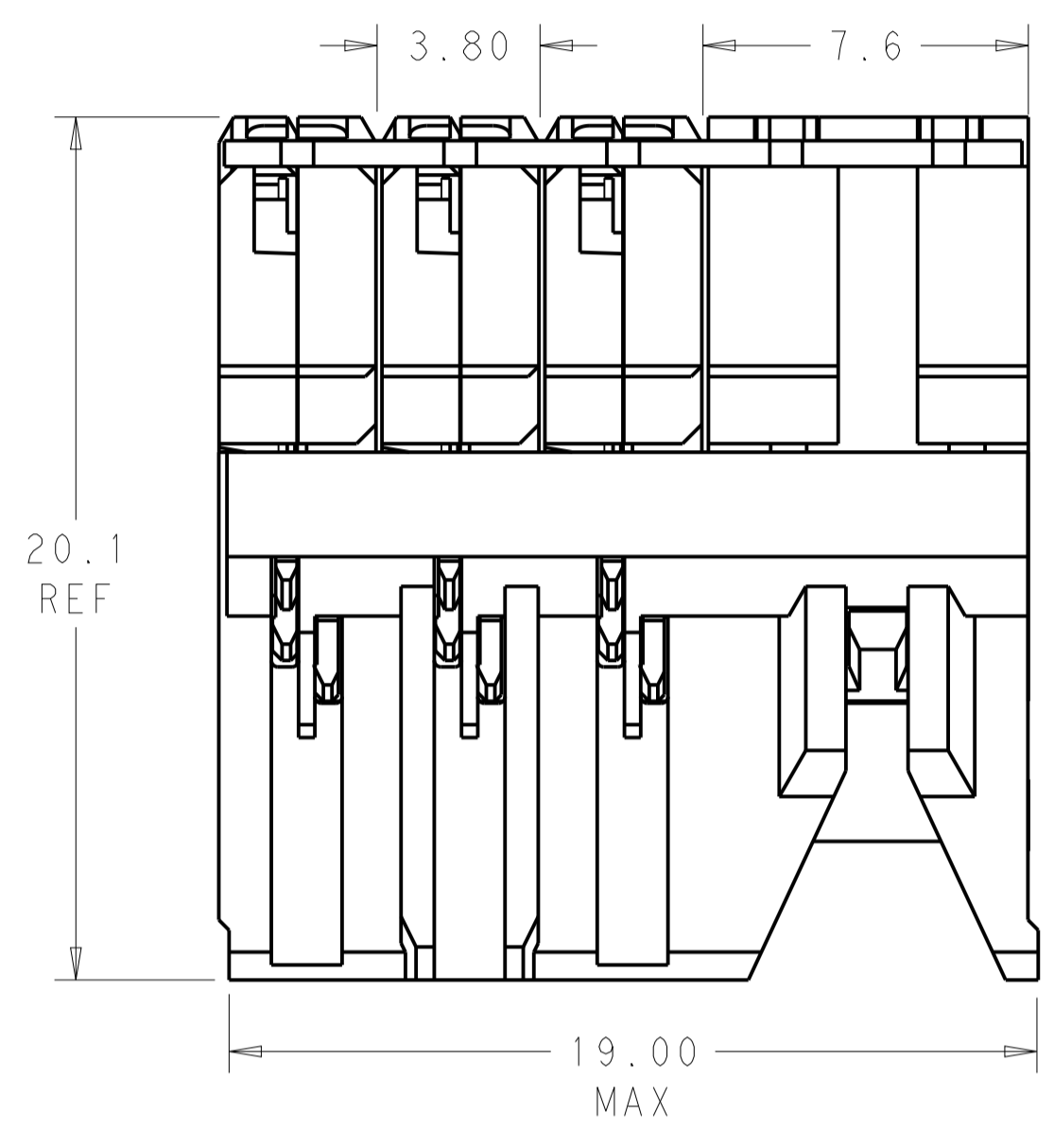
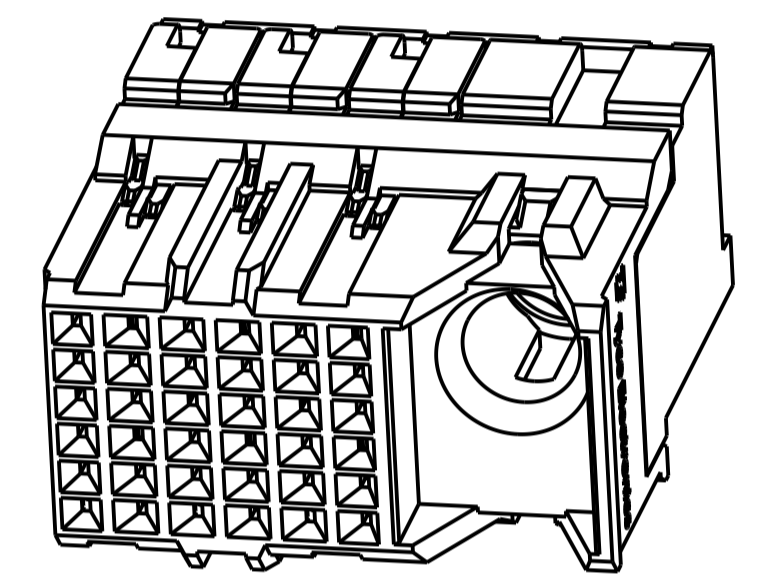


REVISIONS				
P.	LTN.	DESCRIPTION	DATE	APVD.
A		REVISED PER ECO-14-017984	04DEC2014	AP DD

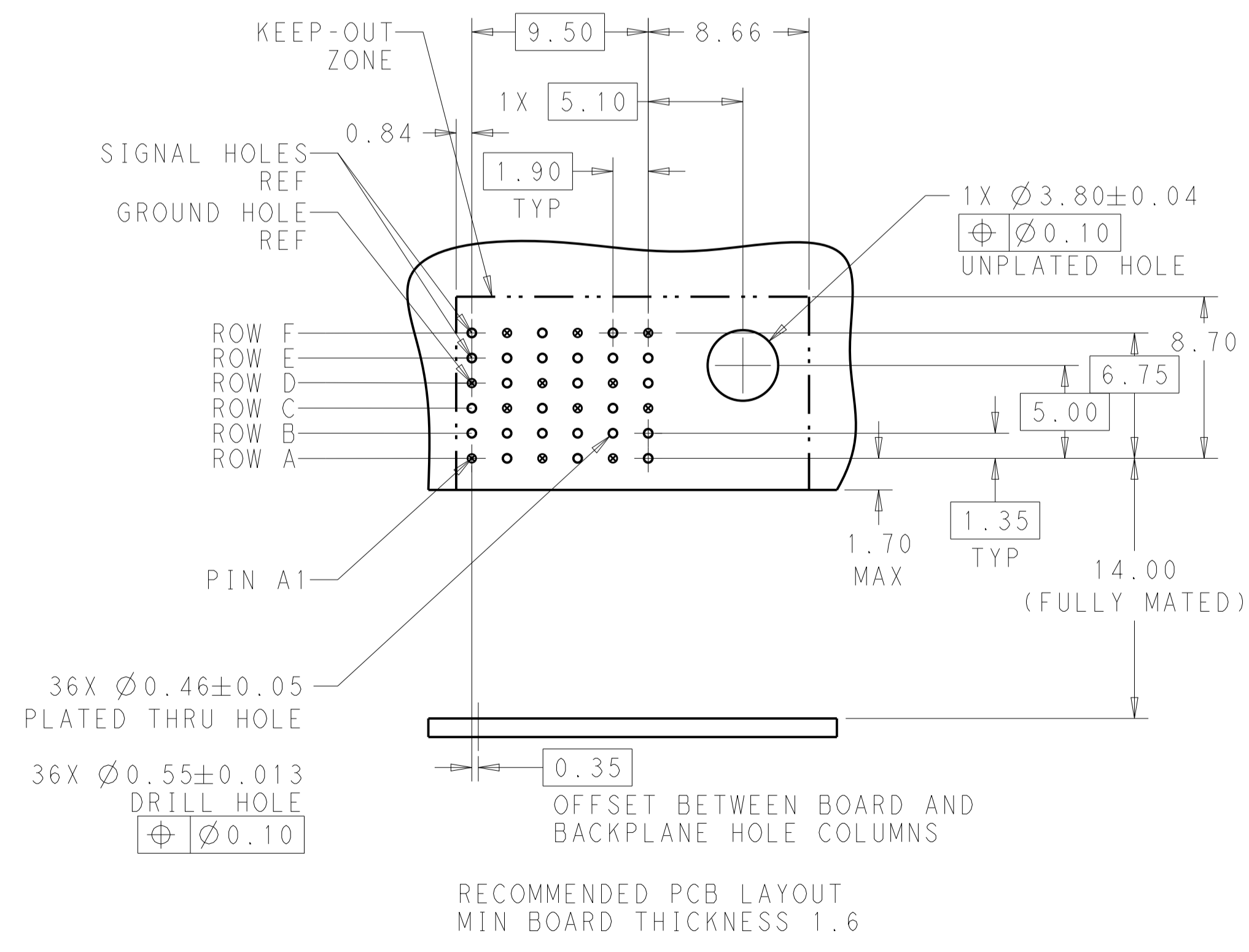
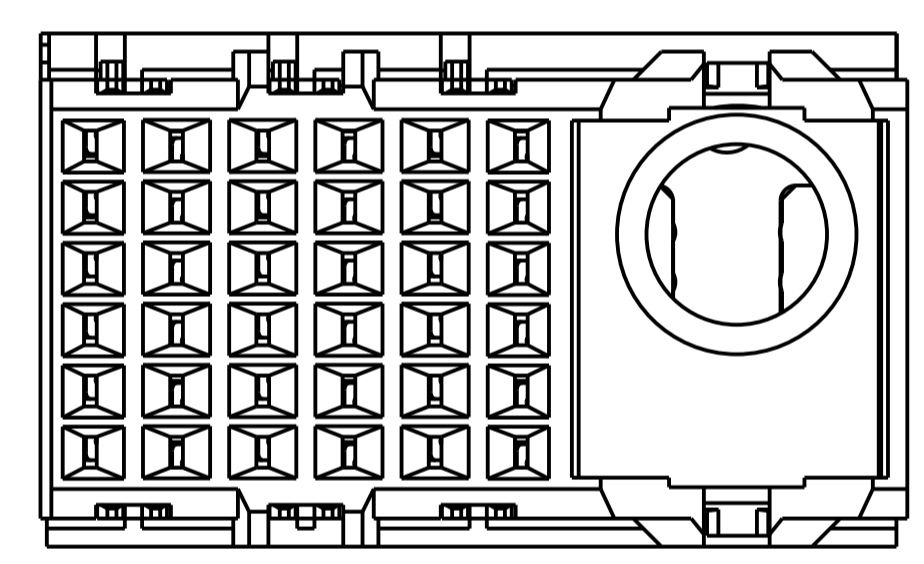


- ⚠ MATERIAL:  
HOUSING: LCP, GLASS FILLED, UL94V-0.  
TERMINALS: HIGH PERFORMANCE COPPER ALLOY.
- ⚠ FINISH:  
30µ" SELECTIVE GOLD IN CONTACT AREA. SELECTIVE TIN ON PCB TAILS, NICKEL OVERALL.
- 3. CONNECTORS SUPPLIED WITH MOUNTING SCREWS.



SCALE 4:1

REFER TO WWW.TE.COM FOR PRODUCT AVAILABILITY



NONE	⚠	2132652-1
KEY POSITION	FINISH	PART NUMBER

THIS DRAWING IS A CONTROLLED DOCUMENT.		DWN Z. MILLER 28SEP2010	
DIMENSIONS: mm		CHK D. DIXON 28SEP2010	
TOLERANCES UNLESS OTHERWISE SPECIFIED:		APVD D. DIXON 28SEP2010	
0 PLC ± 1 PLC ±0.2 2 PLC ±0.13 3 PLC ± 4 PLC ± ANGLES ±		NAME	
MATERIAL		WEIGHT	RESTRICTED TO
FINISH SEE TABLE		Customer Drawing	IMPACT, 2 PAIR, DAUGHTERCARD 6 COLUMN, RIGHT GUIDED, SIGNAL MODULE, 0.46 EYELET
SEE TABLE		SCALE 6:1	SIZE CAGE CODE DRAWING NO A100779C=2132652
		SHEET 1 OF 1	REV A