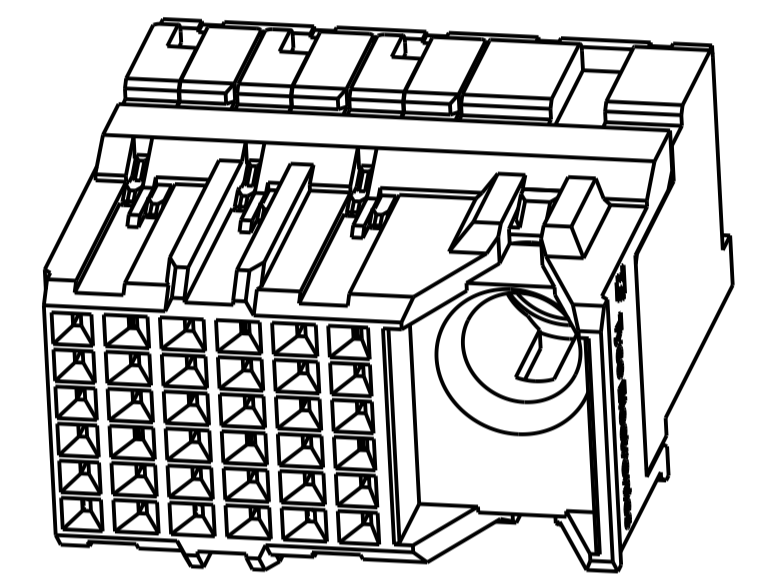
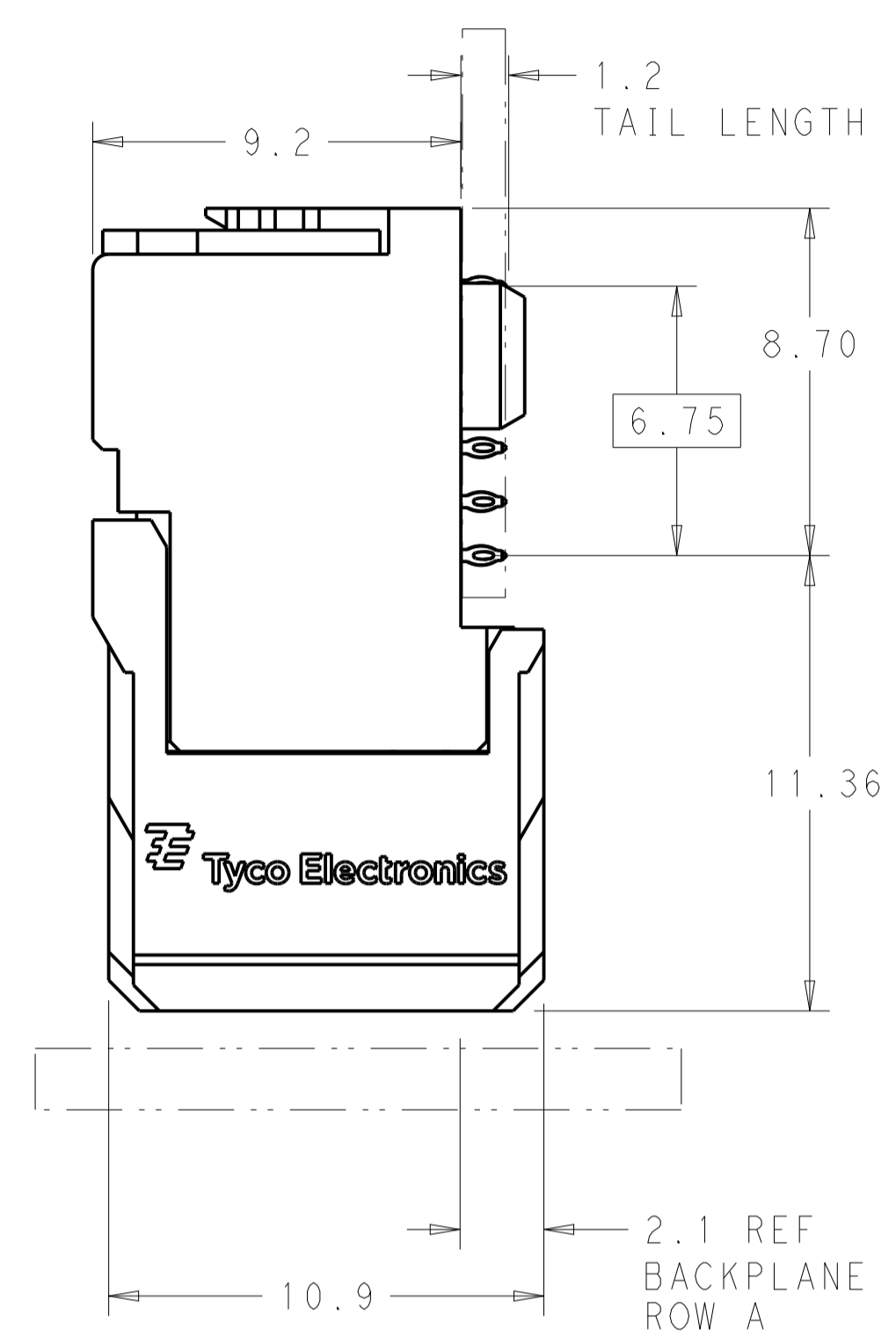
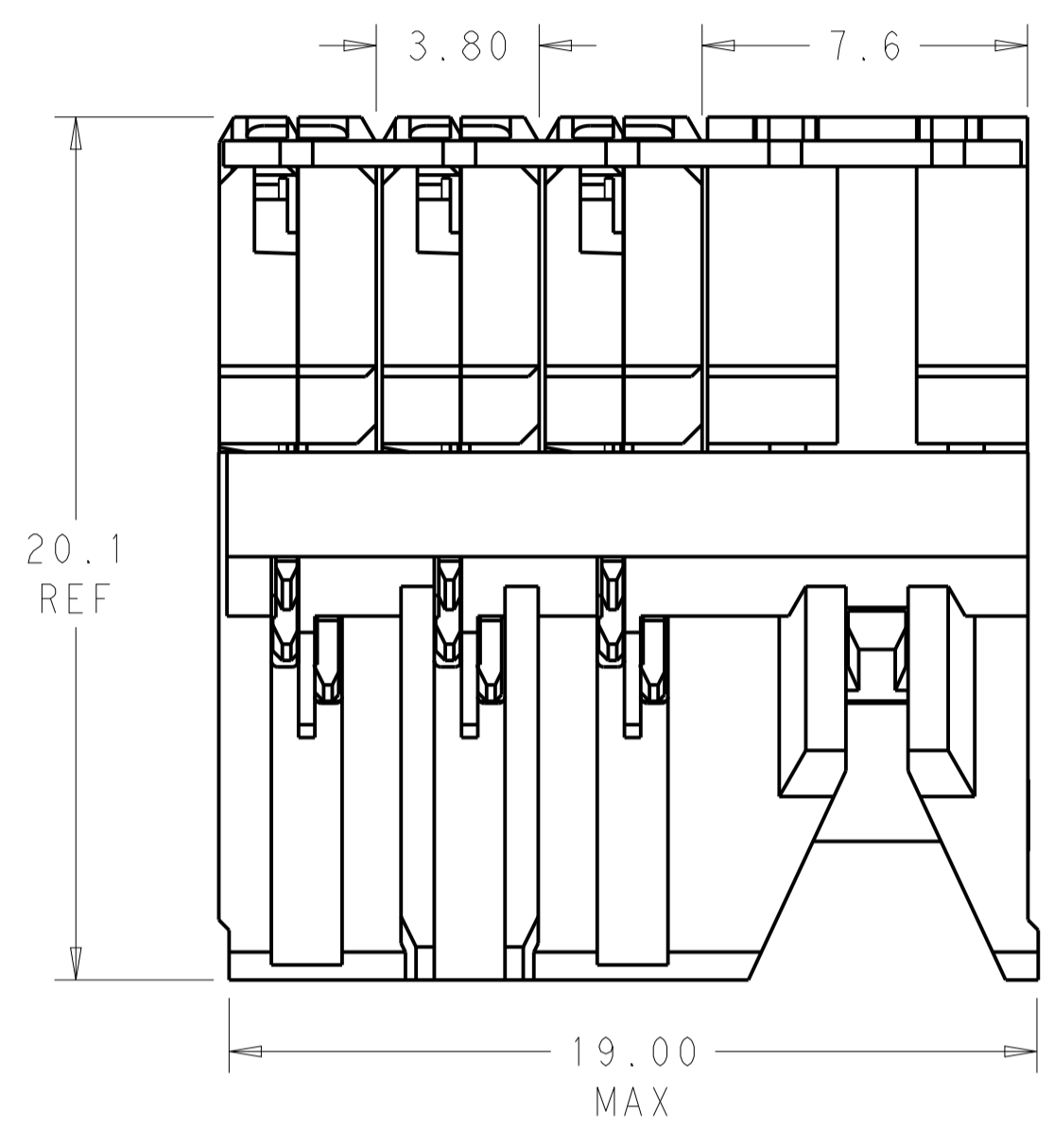
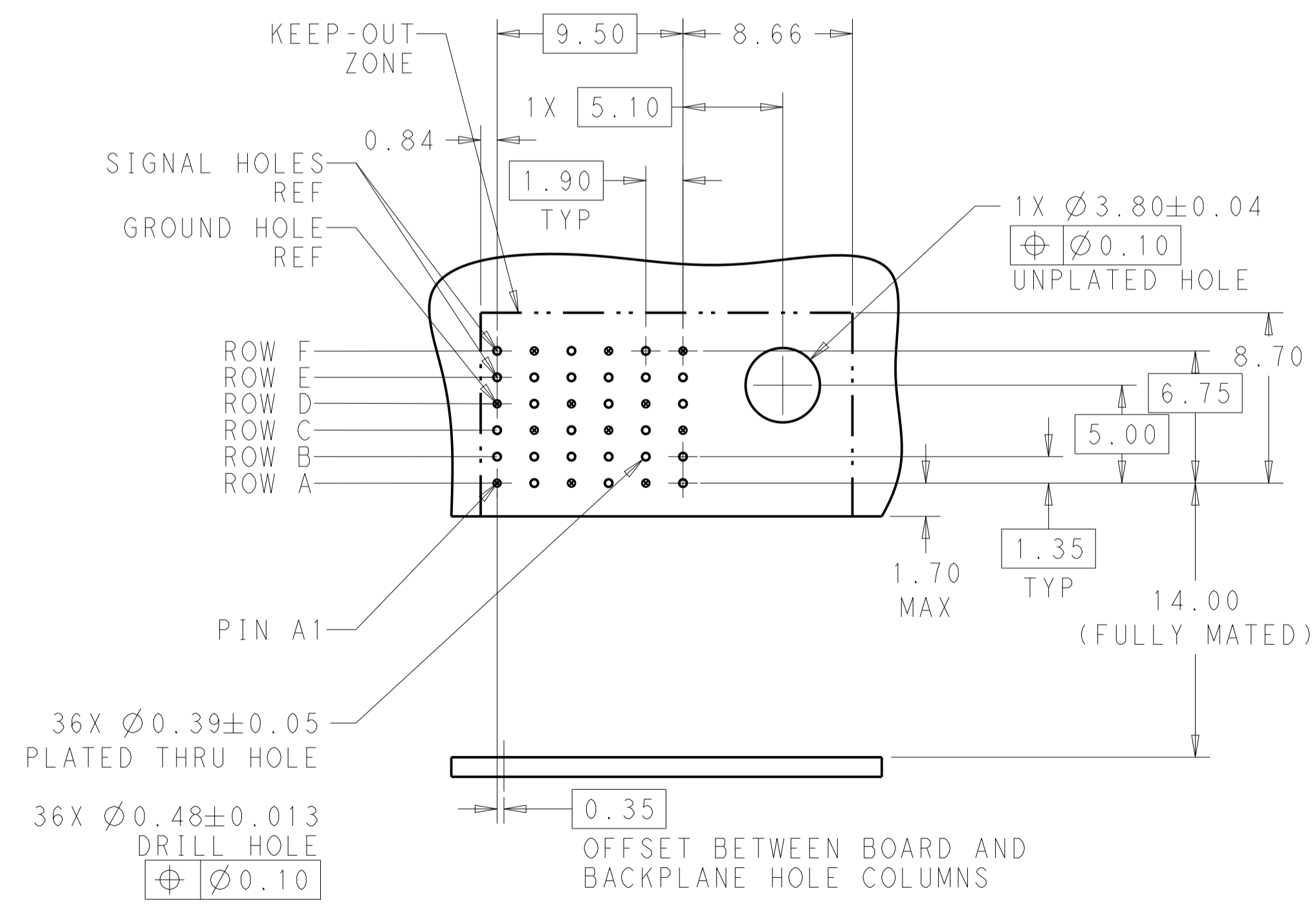
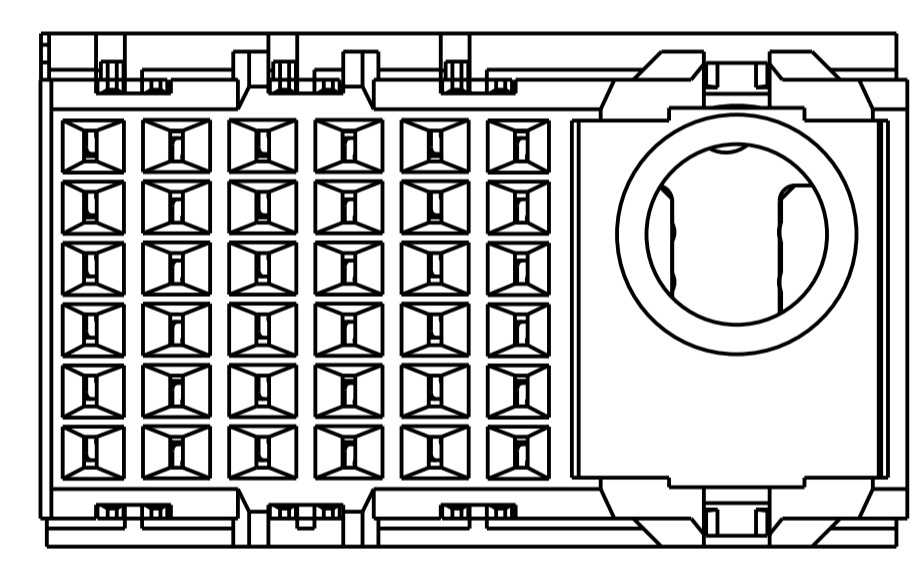


REVISIONS				
P.	LTM	DESCRIPTION	DATE	APVD
A		REVISED PER ECO-14-017984	04DEC2014	AP DD



SCALE 4:1

REFER TO WWW.TE.COM FOR PRODUCT AVAILABILITY



- MATERIAL:  
 HOUSING: LCP, GLASS FILLED, UL94V-0.  
 TERMINALS: HIGH PERFORMANCE COPPER ALLOY.
- FINISH:  
 30 $\mu$ m SELECTIVE GOLD IN CONTACT AREA. SELECTIVE TIN ON PCB TAILS, NICKEL OVERALL.
- CONNECTORS SUPPLIED WITH MOUNTING SCREWS.

NONE		2132649-1
KEY POSITION	FINISH	PART NUMBER

THIS DRAWING IS A CONTROLLED DOCUMENT.		DWN Z. MILLER 23SEP2010	TE Connectivity
DIMENSIONS: mm		CHK D. DIXON 23SEP2010	
TOLERANCES UNLESS OTHERWISE SPECIFIED:		APVD D. DIXON 23SEP2010	
0 PLC $\pm$ 1 PLC $\pm 0.2$ 2 PLC $\pm 0.10$ 3 PLC $\pm$ 4 PLC $\pm$ ANGLES $\pm$		NAME	
MATERIAL		SEE TABLE	PRODUCT SPEC APPLICATION SPEC SIZE CAGE CODE DRAWING NO WEIGHT A100779C=2132649 Customer Drawing
IMPACT, 2 PAIR, DAUGHTERCARD 6 COLUMN, RIGHT GUIDED, SIGNAL MODULE, 0.39 EYELET			RESTRICTED TO
SCALE 6:1			SHEET 1 OF 1 REV A