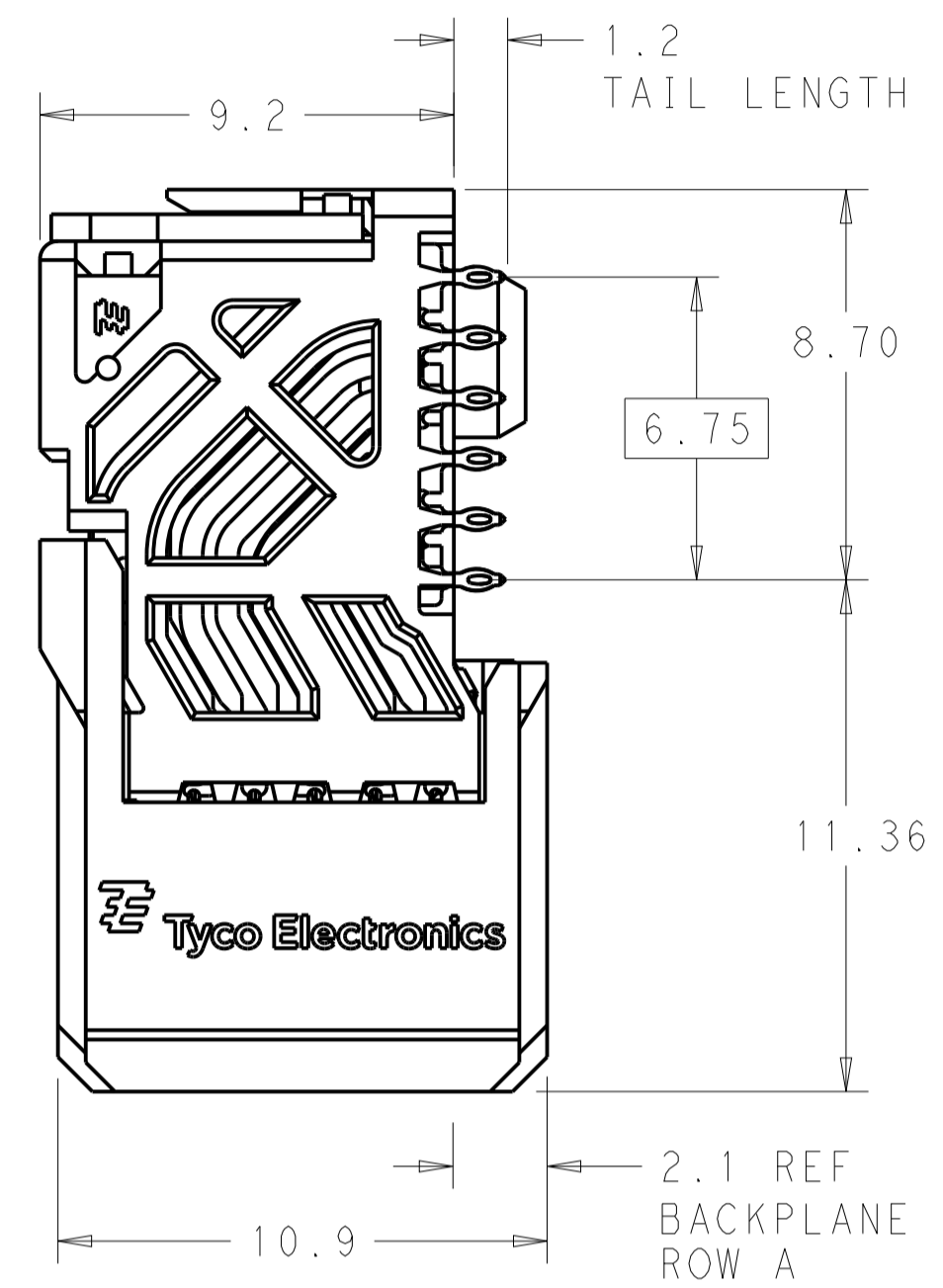
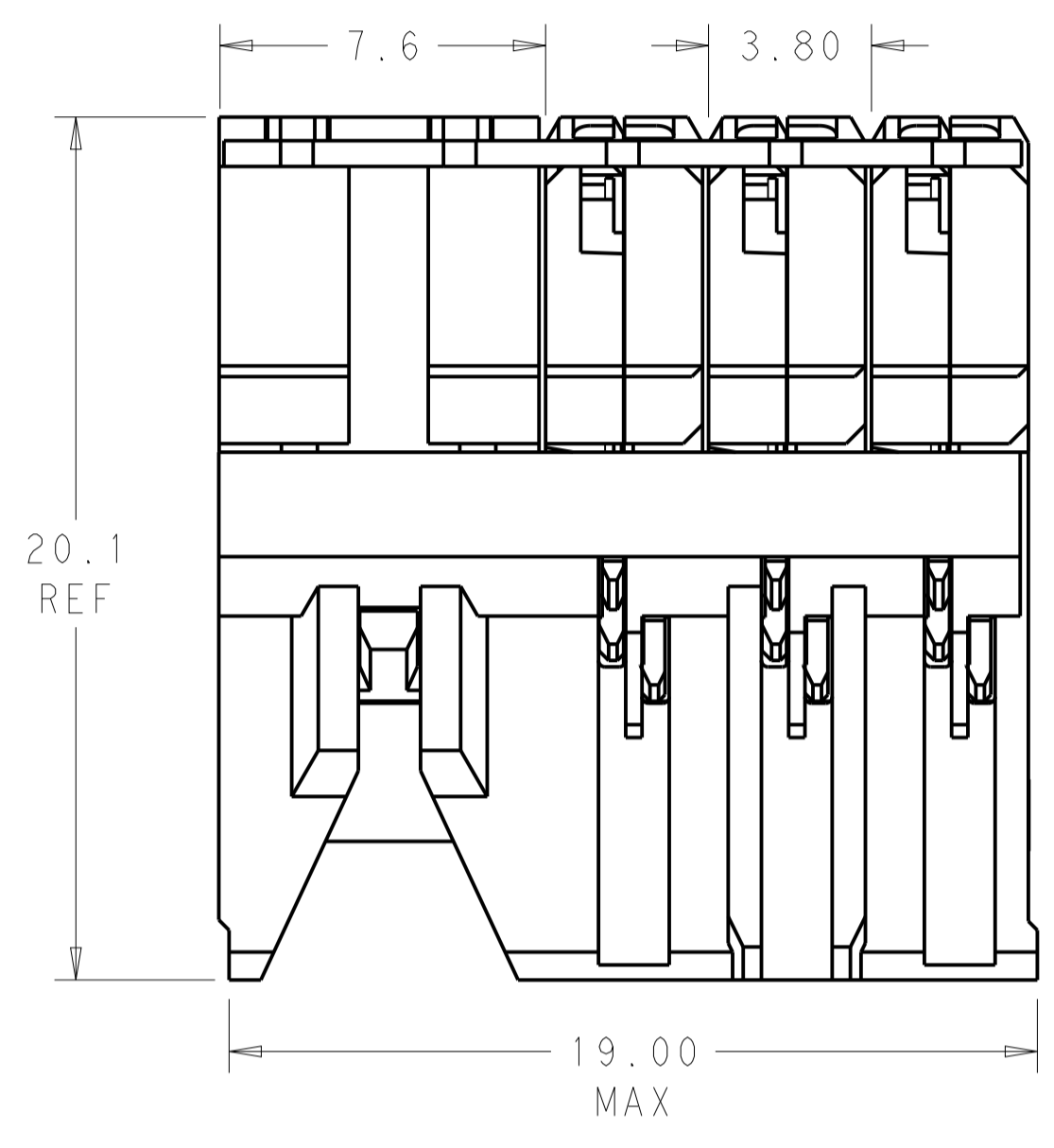
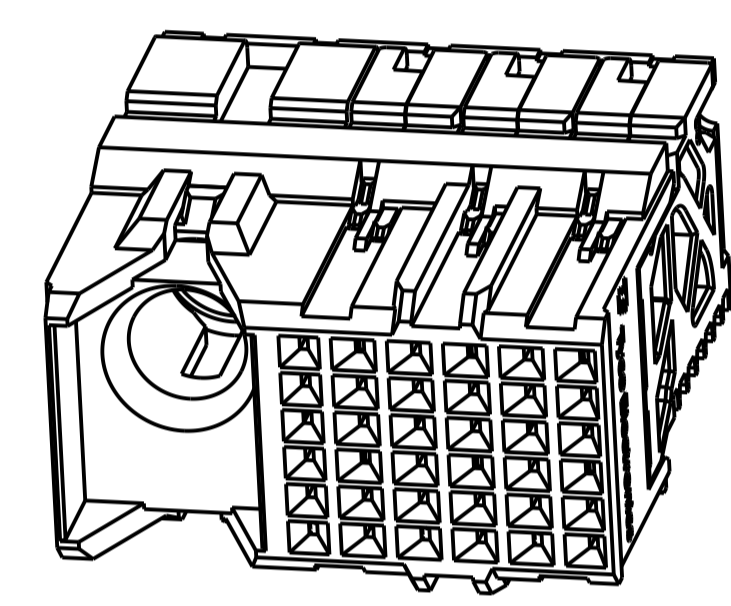


REVISIONS				
P.	LTN.	DESCRIPTION	DATE	APVD.
A		REVISED PER ECO-14-017984	09DEC2014	AP DD

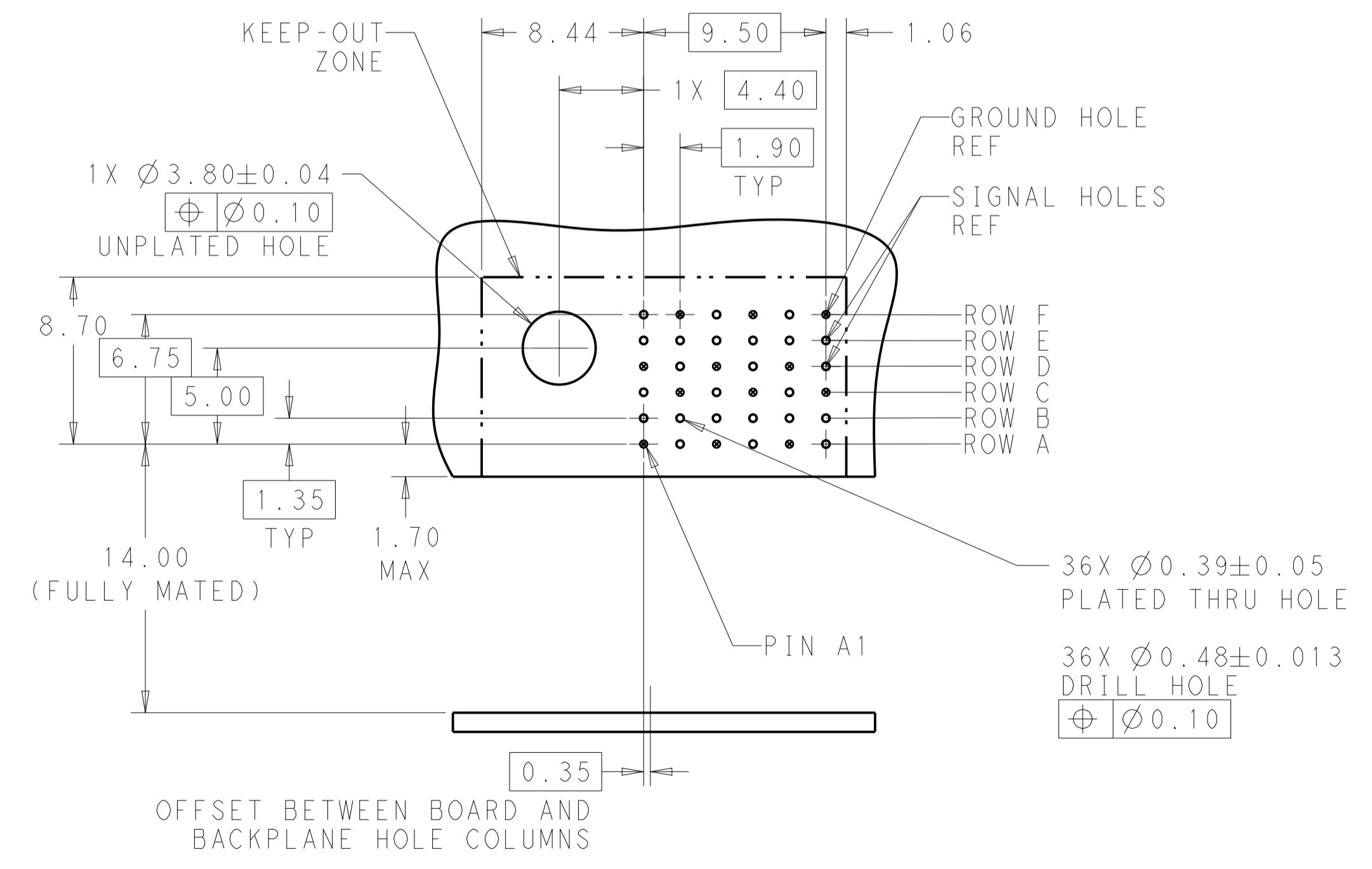
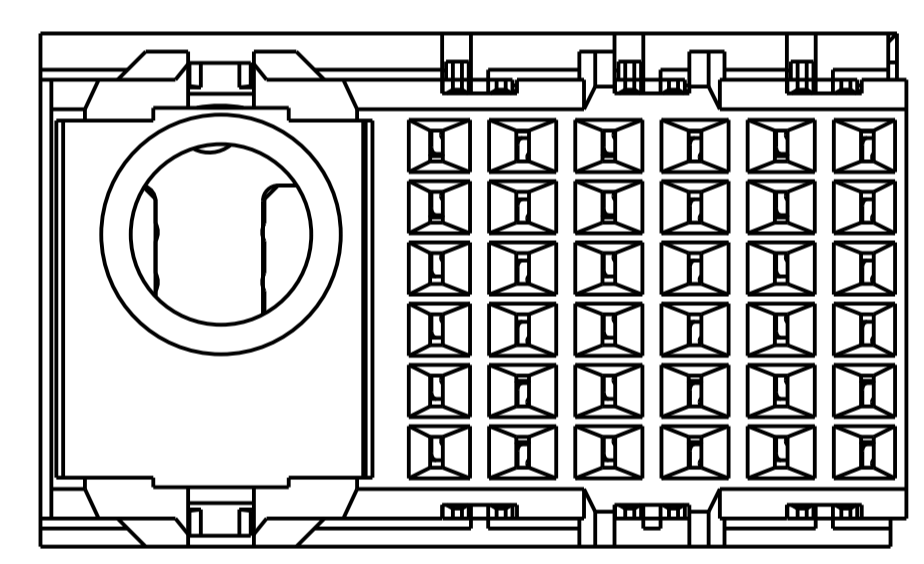


- ⚠ MATERIAL:
HOUSING: LCP, GLASS FILLED, UL94V-0.
TERMINALS: HIGH PERFORMANCE COPPER ALLOY.
- ⚠ FINISH:
30µ" SELECTIVE GOLD IN CONTACT AREA. SELECTIVE TIN ON PCB TAILS, NICKEL OVERALL.
- 3. CONNECTORS SUPPLIED WITH MOUNTING SCREWS



SCALE 4:1

REFER TO WWW.TE.COM FOR PRODUCT AVAILABILITY



RECOMMENDED PCB LAYOUT
MIN BOARD THICKNESS 1.6

NONE	⚠	2132648-1
KEY POSITION	FINISH	PART NUMBER

THIS DRAWING IS A CONTROLLED DOCUMENT.		OWN: Z. MILLER 23SEP2010											
DIMENSIONS: mm		CHK: D. DIXON 23SEP2010											
TOLERANCES UNLESS OTHERWISE SPECIFIED:		APVD: D. DIXON 23SEP2010	NAME: IMPACT, 2 PAIR, DAUGHTERCARD 6 COLUMN, LEFT GUIDED, SIGNAL MODULE, 0.39 EYELET										
<table border="1"> <tr><td>0 PLC</td><td>±</td></tr> <tr><td>1 PLC</td><td>±0.2</td></tr> <tr><td>2 PLC</td><td>±0.10</td></tr> <tr><td>3 PLC</td><td>±</td></tr> <tr><td>4 PLC</td><td>±</td></tr> </table>		0 PLC	±	1 PLC	±0.2	2 PLC	±0.10	3 PLC	±	4 PLC	±	PRODUCT SPEC	SIZE: A1
0 PLC	±												
1 PLC	±0.2												
2 PLC	±0.10												
3 PLC	±												
4 PLC	±												
MATERIAL: SEE TABLE		APPLICATION SPEC	CAGE CODE: 2132648										
FINISH: SEE TABLE		WEIGHT	RESTRICTED TO: Customer Drawing										
ANGLES		SCALE: 6:1	SHEET 1 OF 1										
		REV: A											