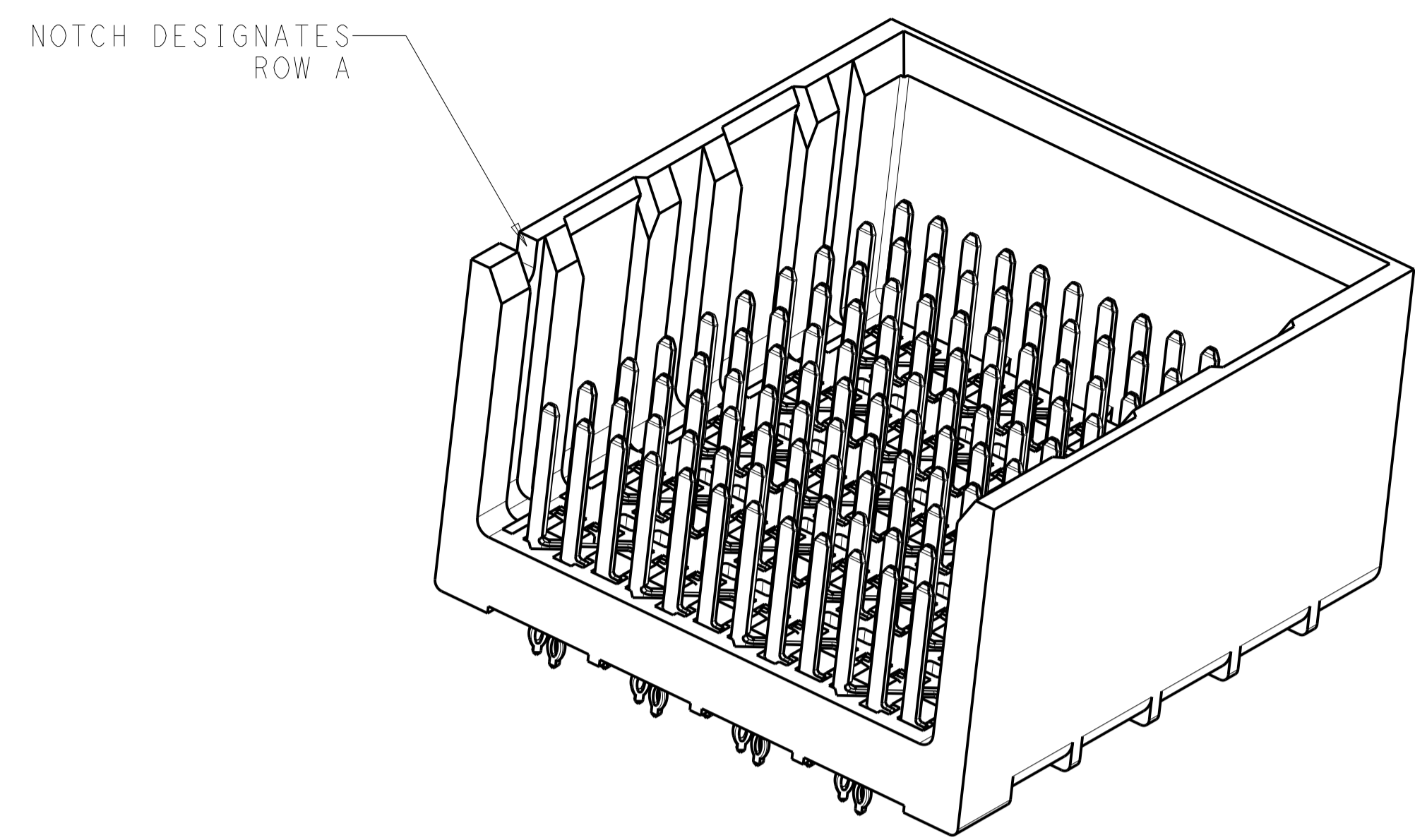
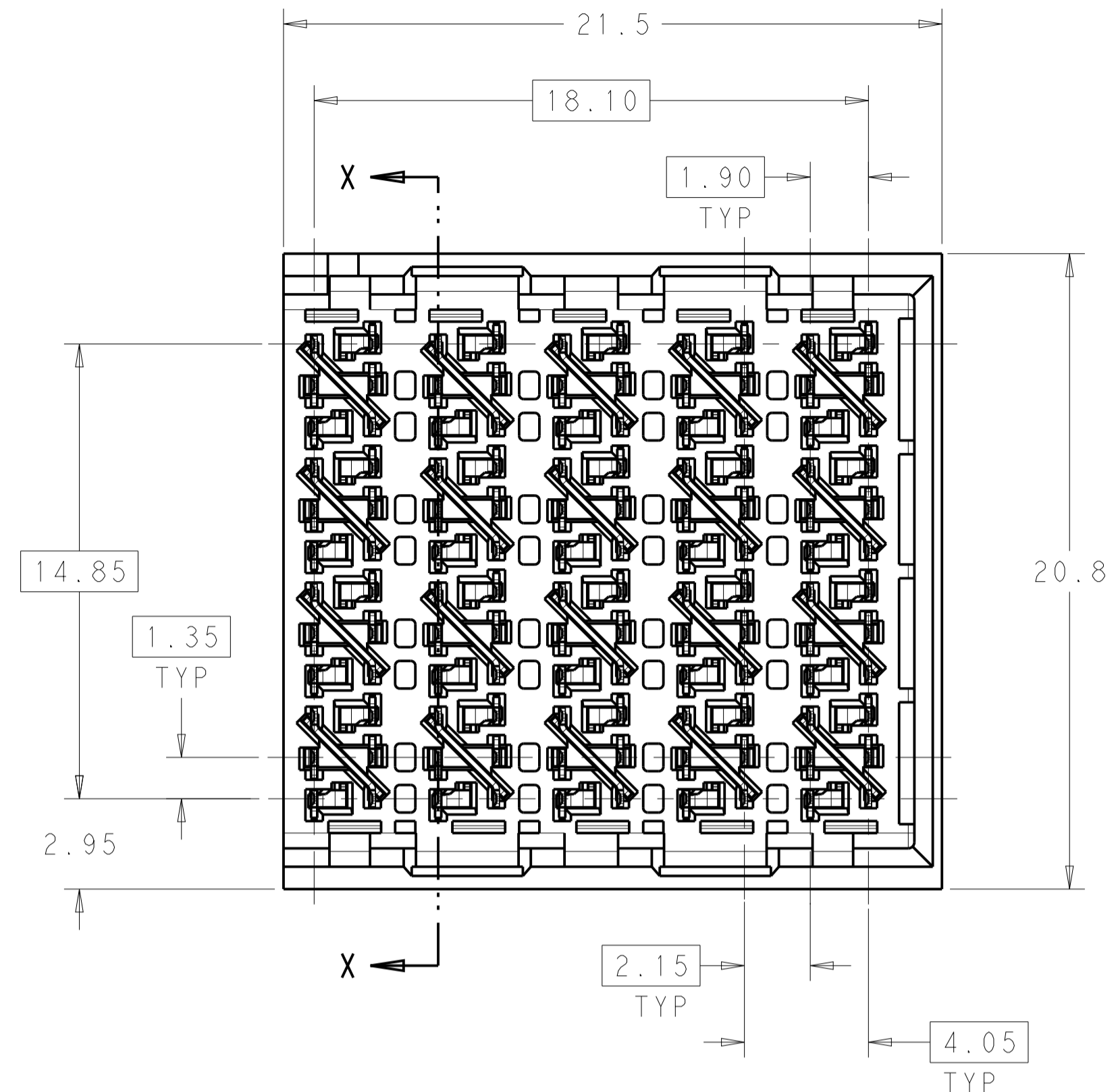
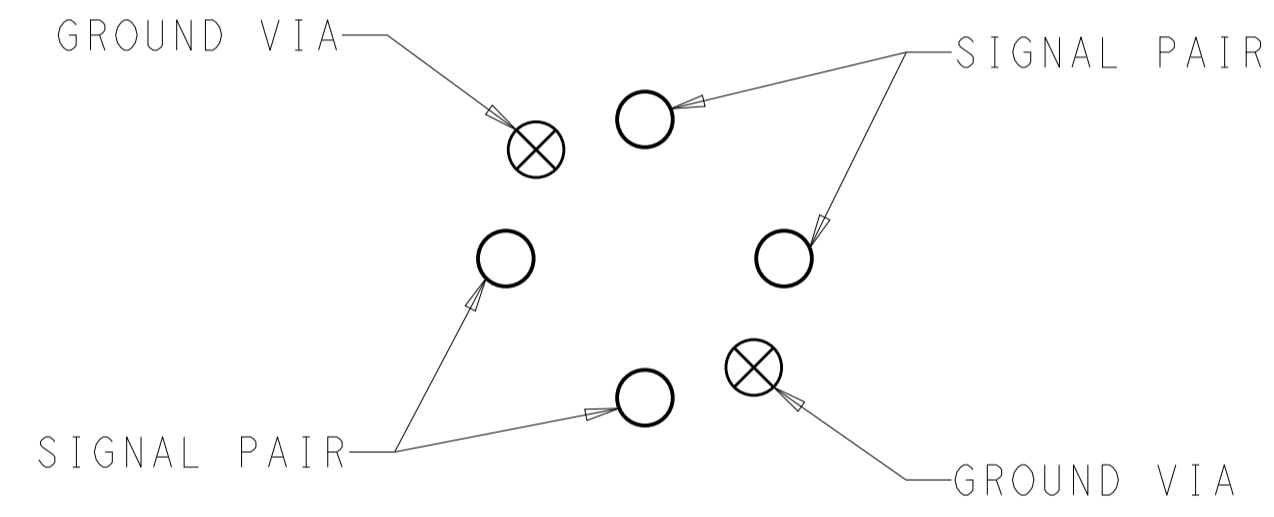


LOC		DIST		REVISIONS			
AD	00	P	LTN	DESCRIPTION	DATE	DWN	APVD
		B		REVISED PER ECO-14-013271	08SEP2014	AP	DD

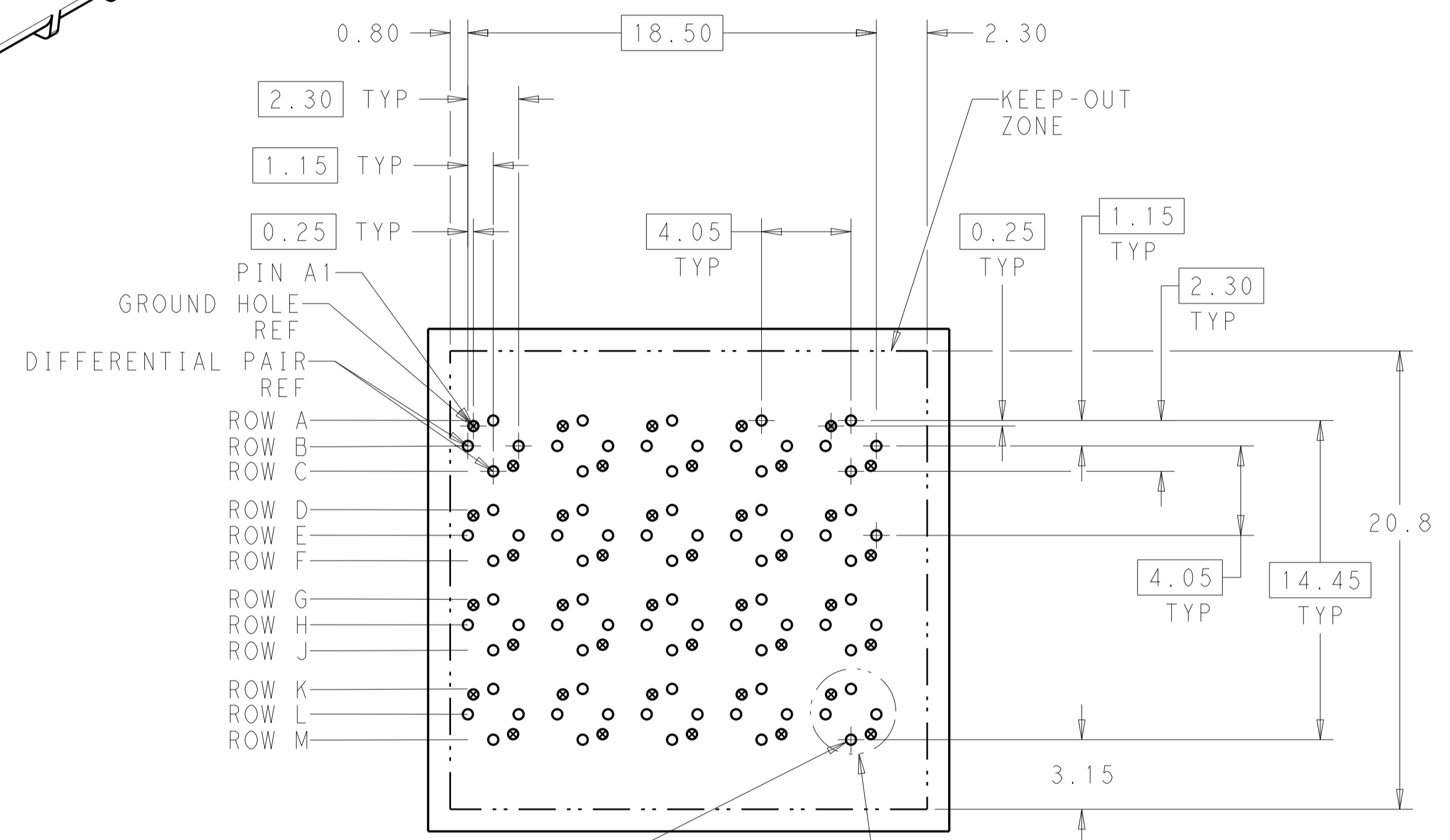


△ MATERIAL:
HOUSING: LCP, GLASS FILLED, UL94V-0.
TERMINALS: HIGH PERFORMANCE COPPER ALLOY.

△ FINISH:
30μ" MIN GOLD IN CONTACT AREA. SELECTIVE TIN ON PCB TAILS, NICKEL OVERALL.



DETAIL X
SCALE 16:1

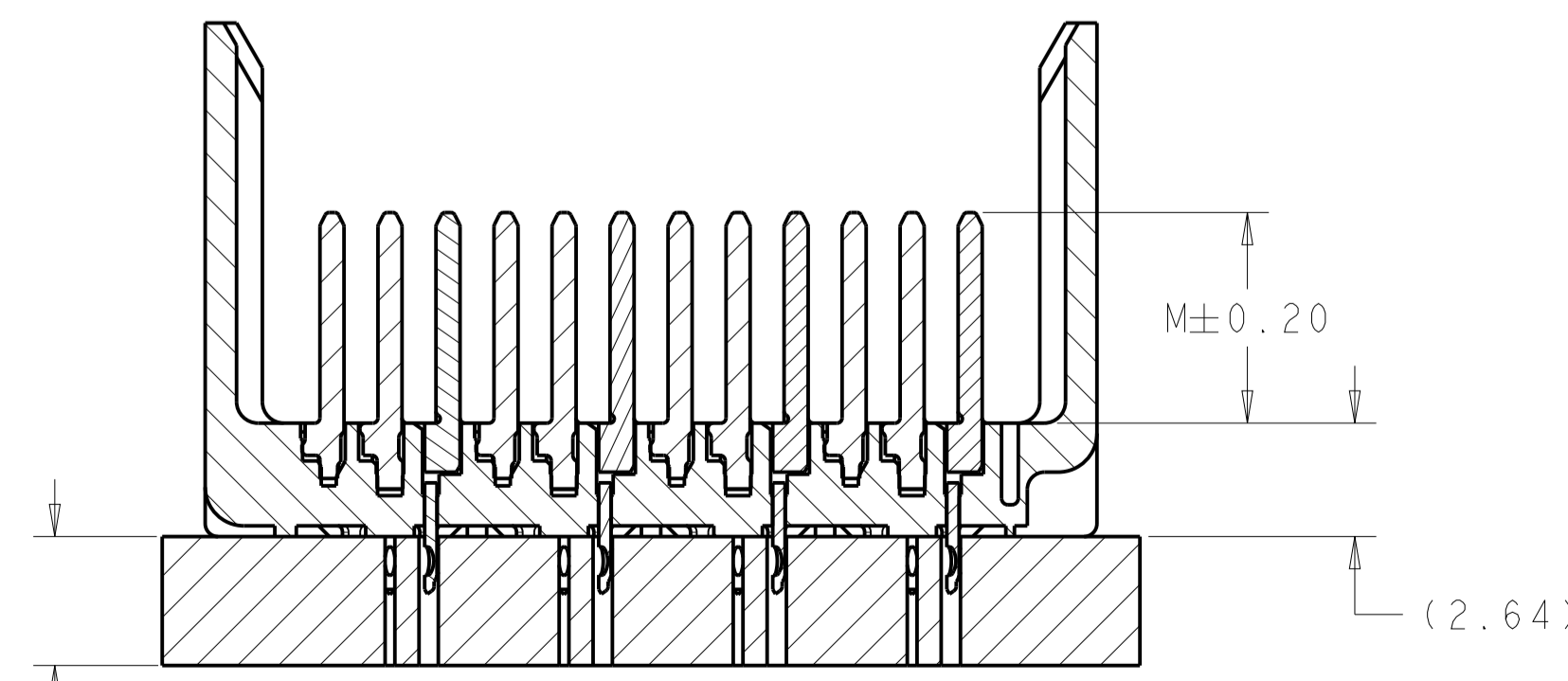
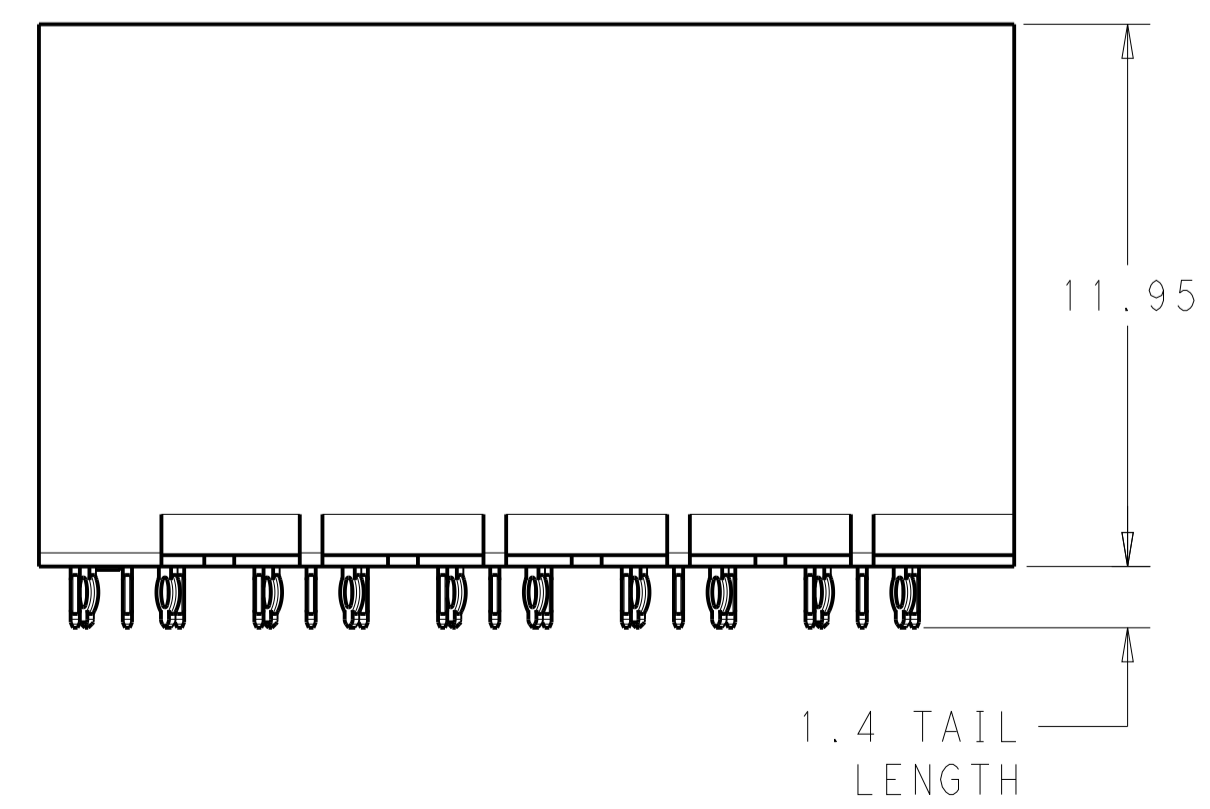


120X $\varnothing 0.46 \pm 0.08$
PLATED THRU HOLE

120X $\varnothing 0.55 \pm 0.013$
DRILL HOLE
 $\varnothing 0.10$

UNGUIDED
BACKPLANE HOLE PATTERN
(CONNECTOR SIDE)

REFER TO WWW.TE.COM
FOR PRODUCT AVAILABILITY



△	5.5	2132640-2
△	4.9	2132640-1
FINISH	DIM M	PART NUMBER

THIS DRAWING IS A CONTROLLED DOCUMENT.		DWN: KIRAN HOLAL 17APR2013	TE Connectivity
DIMENSIONS: mm		CHK: D. DIXON 17APR2013	
TOLERANCES UNLESS OTHERWISE SPECIFIED:		APVD: D. DIXON 17APR2013	NAME: IMPACT, ORTHOGONAL, 4 PAIR, 10 COLUMN HEADER, UNGUIDED, RIGHT END WALL SIGNAL MODULE, 0.46 PTH SIZE: CAGE CODE DRAWING NO: A100779 ©=2132640 RESTRICTED TO: Customer Drawing
0 PLC ± 1 PLC ±0.25 2 PLC ±0.13 3 PLC ± 4 PLC ± ANGLES ±		PRODUCT SPEC: APPLICATION SPEC: WEIGHT: FINISH: SEE TABLE	
SCALE: 6:1		SHEET: 1 OF 1	REV: B