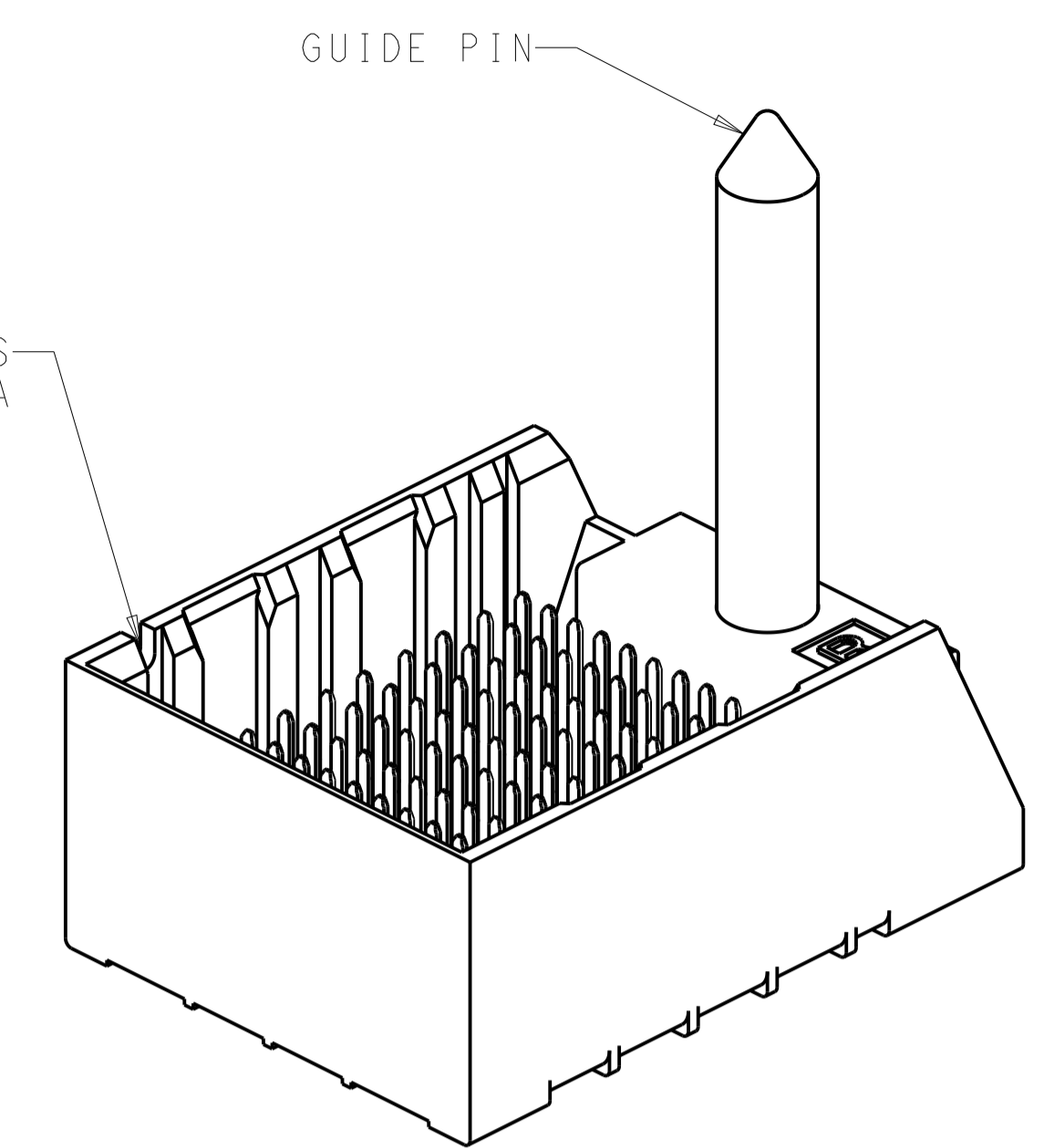
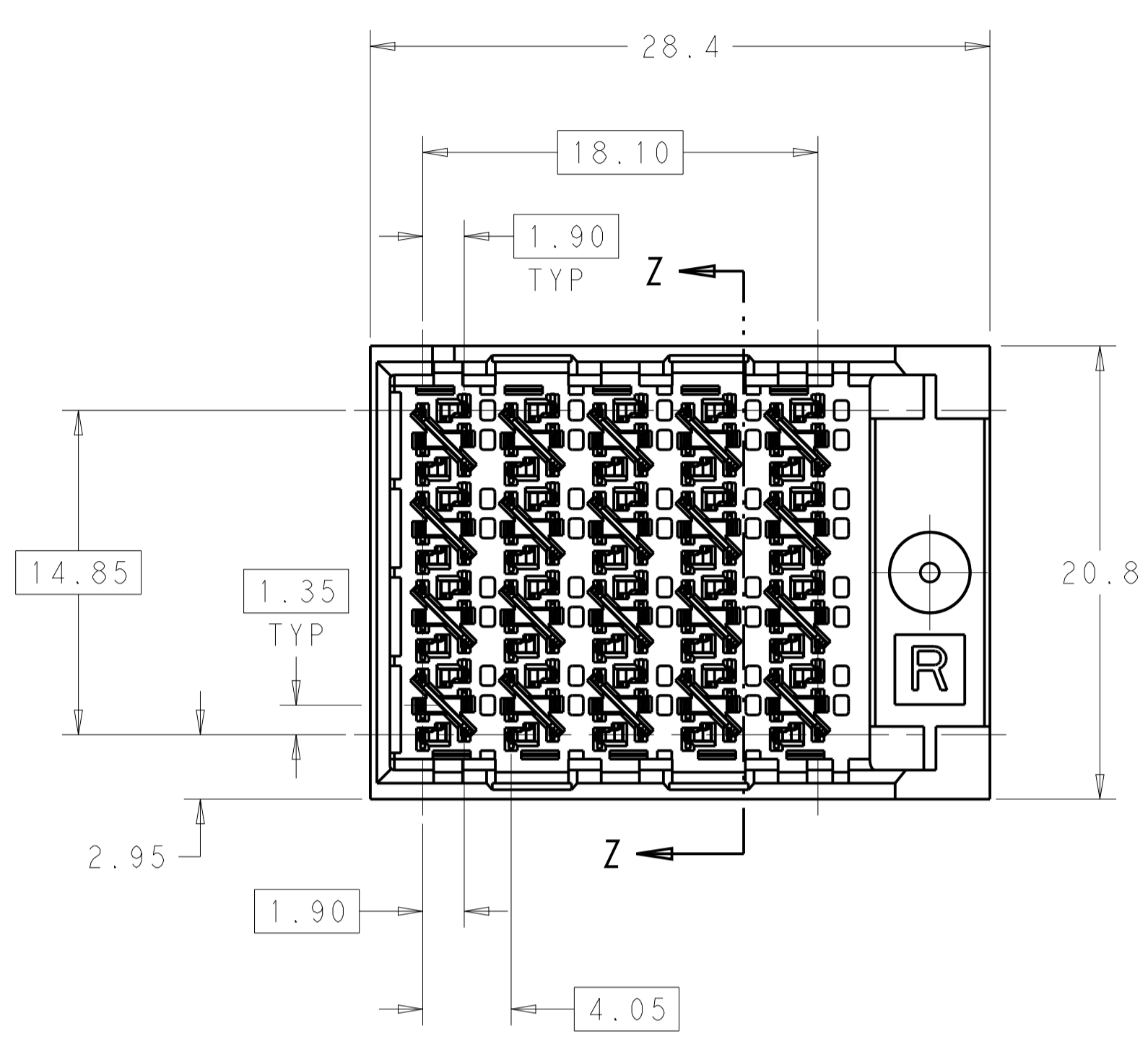
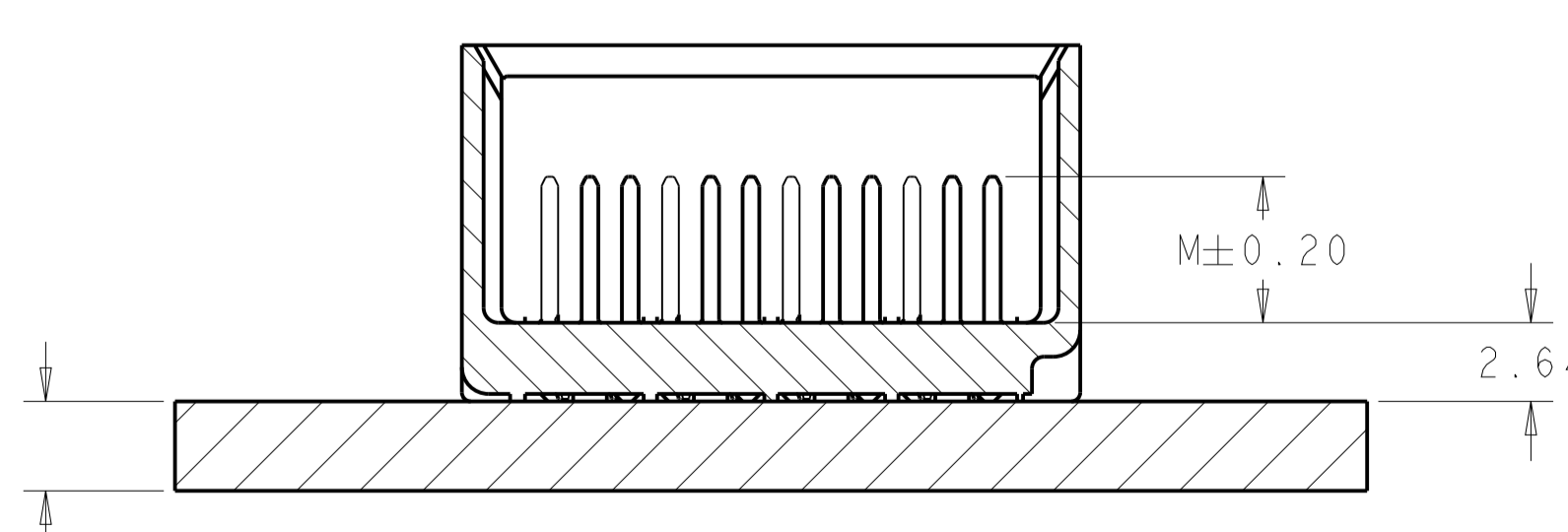
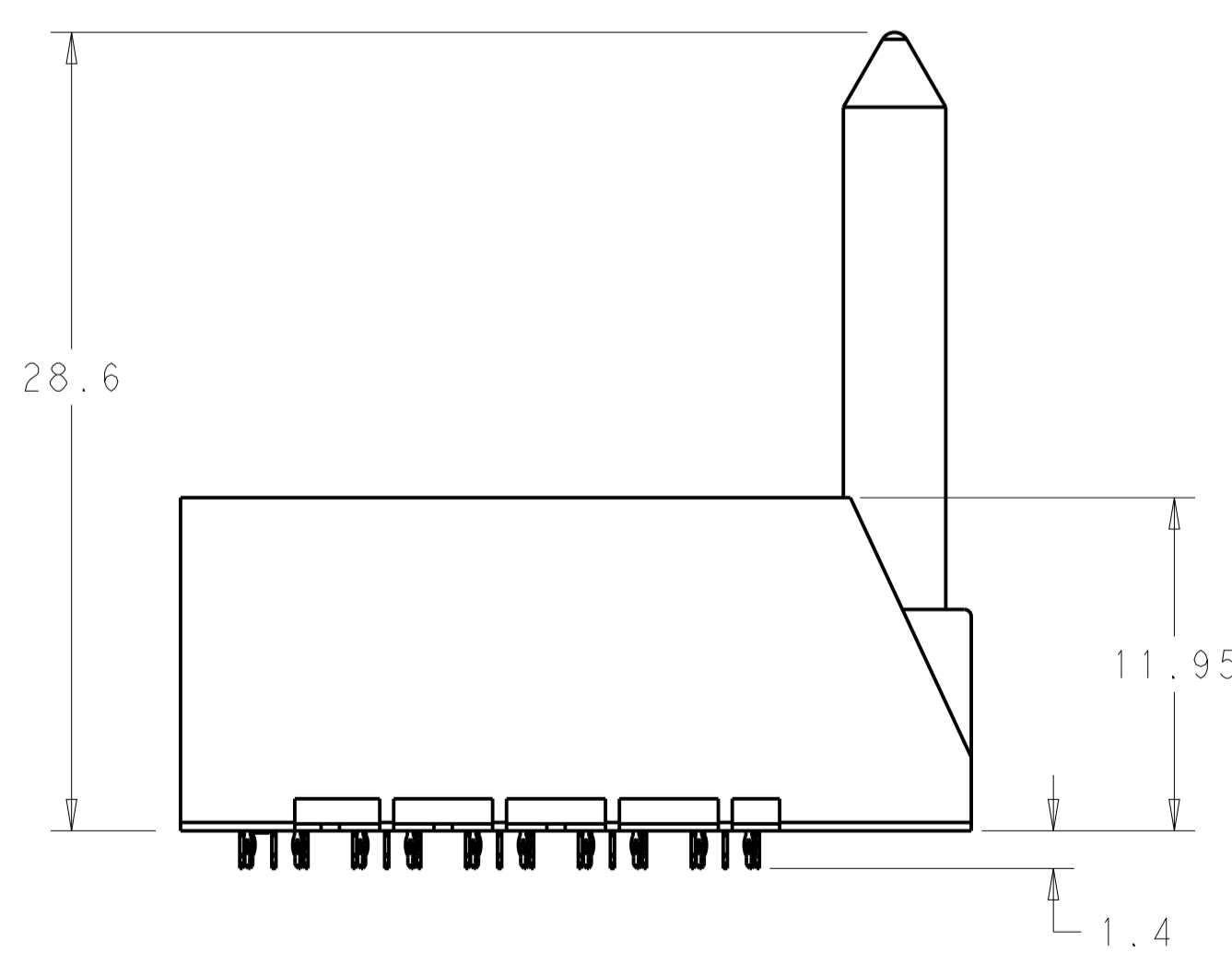
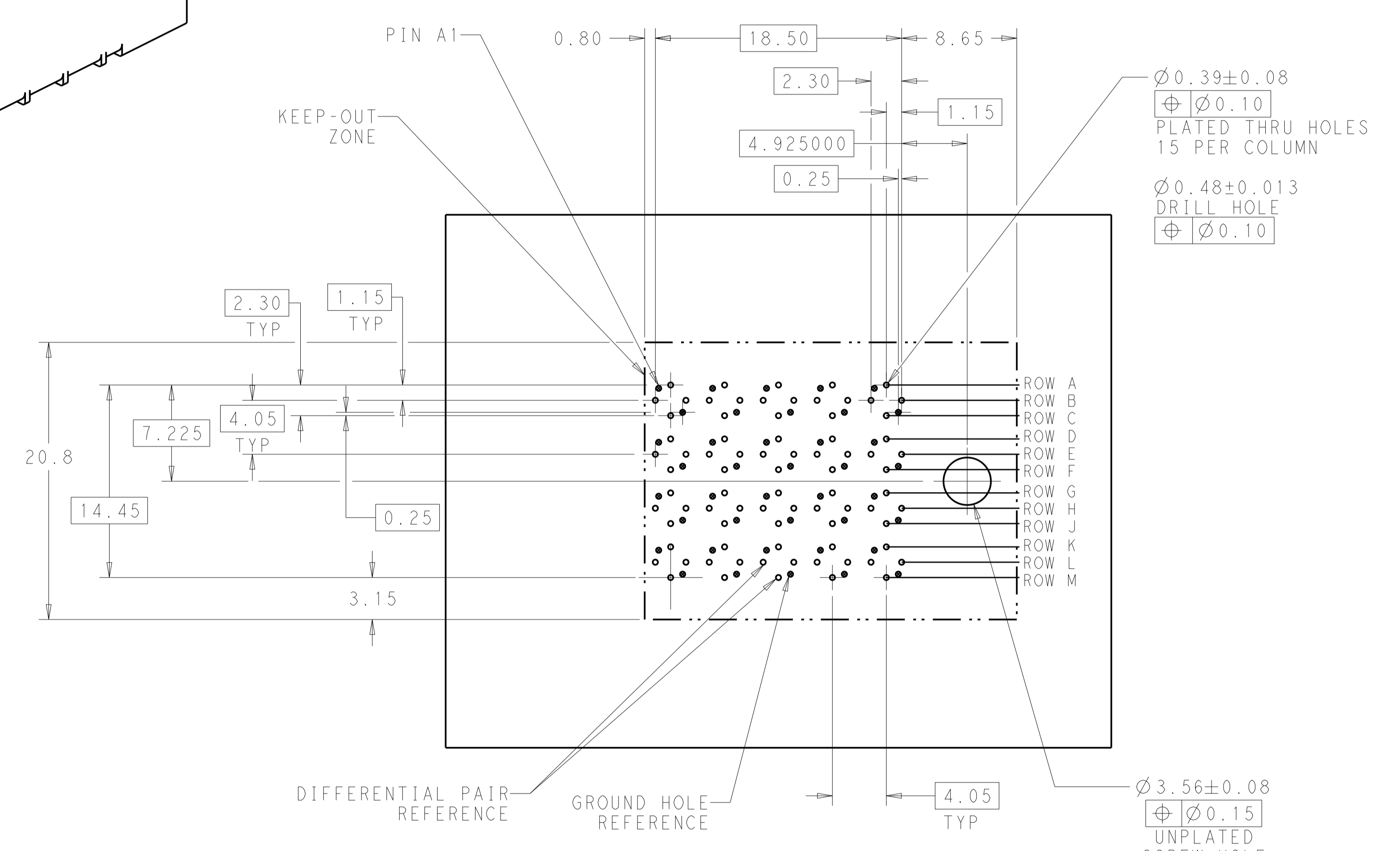


REVISIONS				
P.	LTN	DESCRIPTION	DATE	DWN APVD
C		REVISED PER ECO-14-013271	08SEP2014	AP DD



△ MATERIAL:
 HOUSING: LCP GLASS FILLED UL94V-0
 TERMINALS: HIGH PERFORMANCE COPPER ALLOY

△ FINISH:
 30μ" MIN GOLD IN CONTACT AREA
 SELECTIVE TIN ON PCB TAILS.
 NICKEL OVERALL.



3.00 MIN BOARD THICKNESS

SECTION Z-Z

LEFT GUIDED BACKPLANE HOLE PATTERN (CONNECTOR SIDE) SCALE 4:1

2	5.5	2132628-2
2	4.9	2132628-1
FINISH	DIM M	PART NUMBER

THIS DRAWING IS A CONTROLLED DOCUMENT.		DWN J. K. SHOBER 18AUG2010	TE Connectivity	
DIMENSIONS: mm		CHK J. EARY 18AUG2010	NAME	
TOLERANCES UNLESS OTHERWISE SPECIFIED:		APVD J. EARY 18AUG2010	PRODUCT SPEC	
0 PLC ±0.25		APPLICATION SPEC		
1 PLC ±0.13		SIZE CAGE CODE DRAWING NO		
2 PLC ±0.10		RESTRICTED TO		
3 PLC ±0.075		A100779C=2132628		
4 PLC ±0.05		SCALE 4:1 SHEET 1 OF 1 REV C		
ANGLES ±0		Customer Drawing		