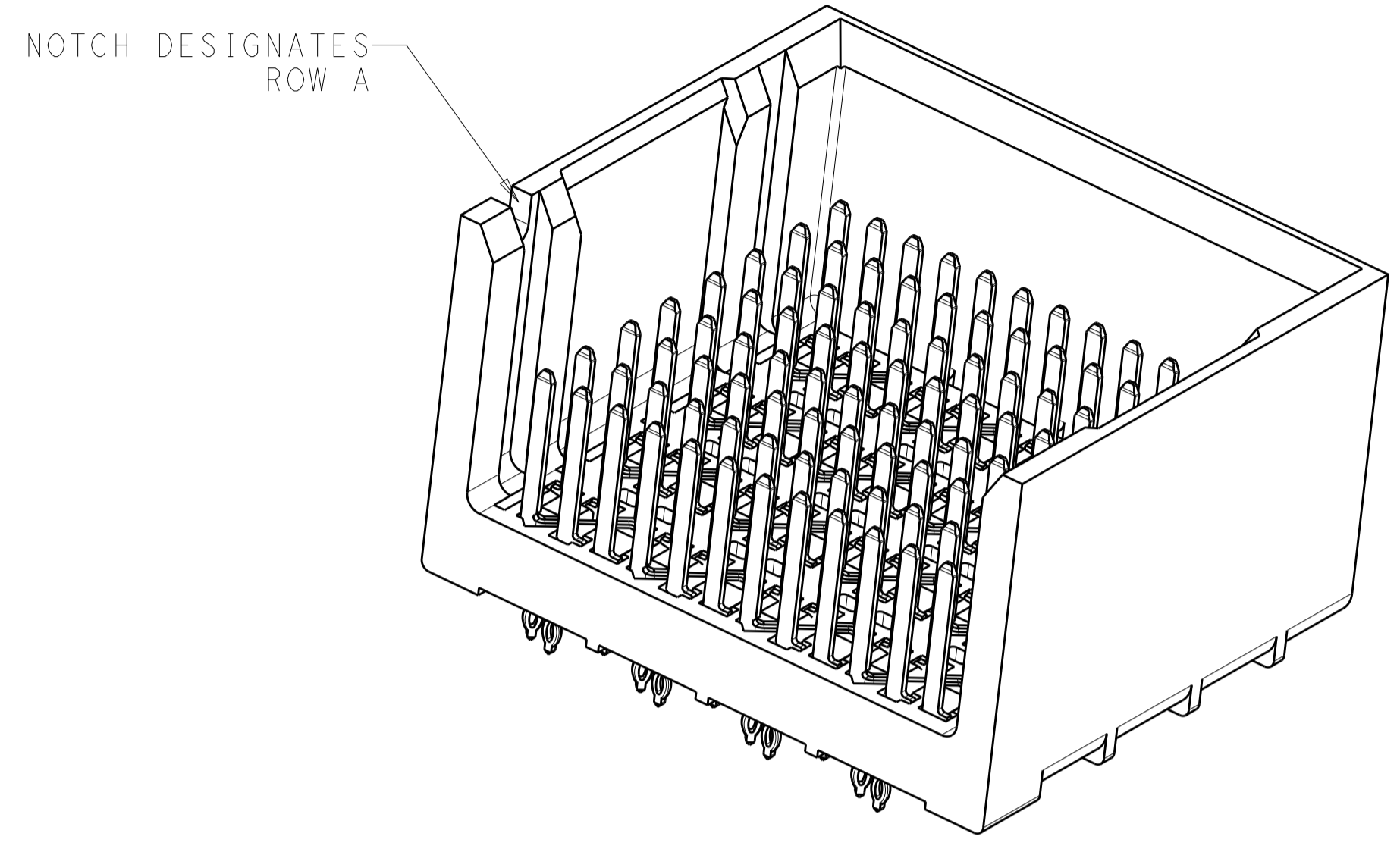
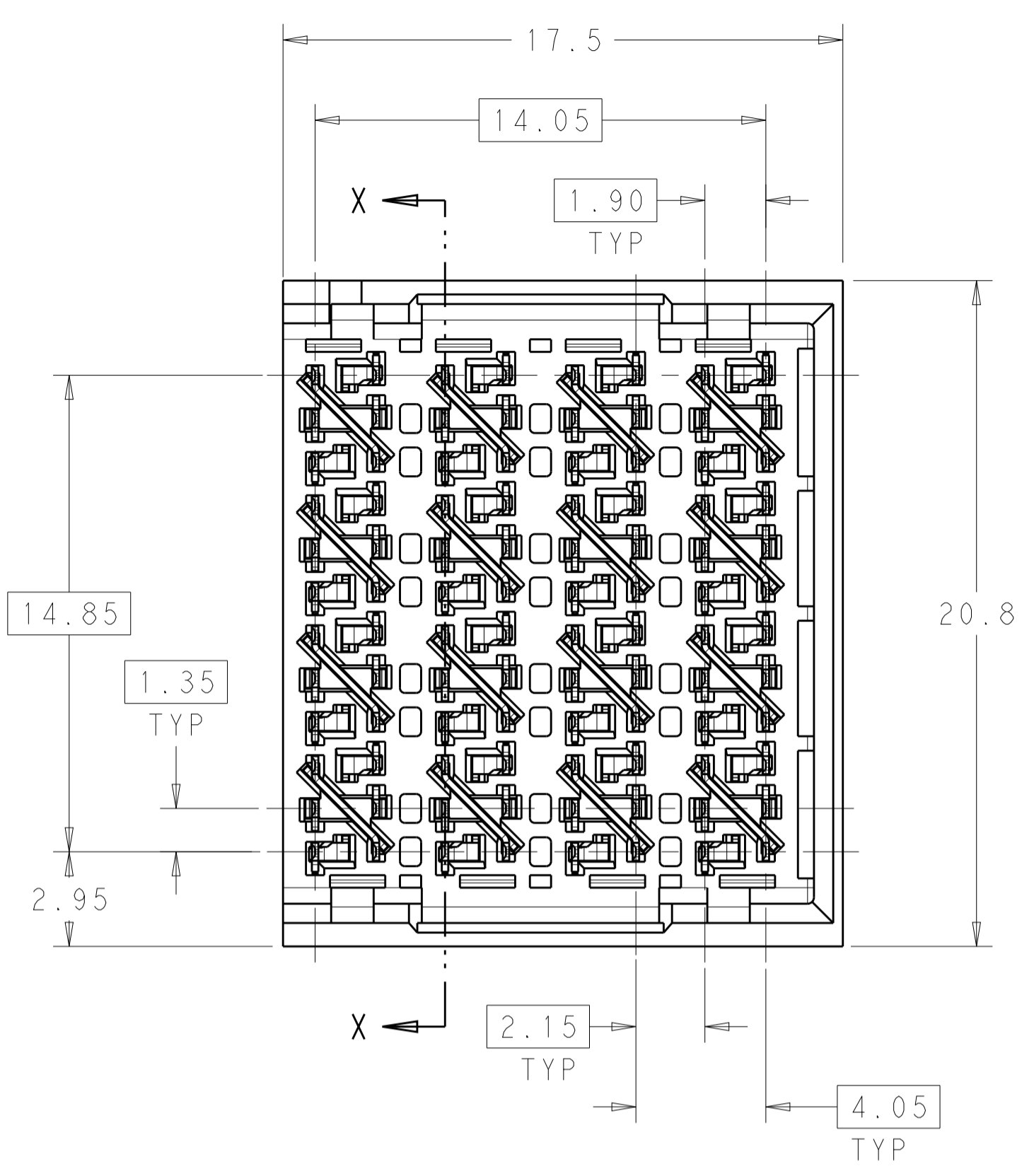
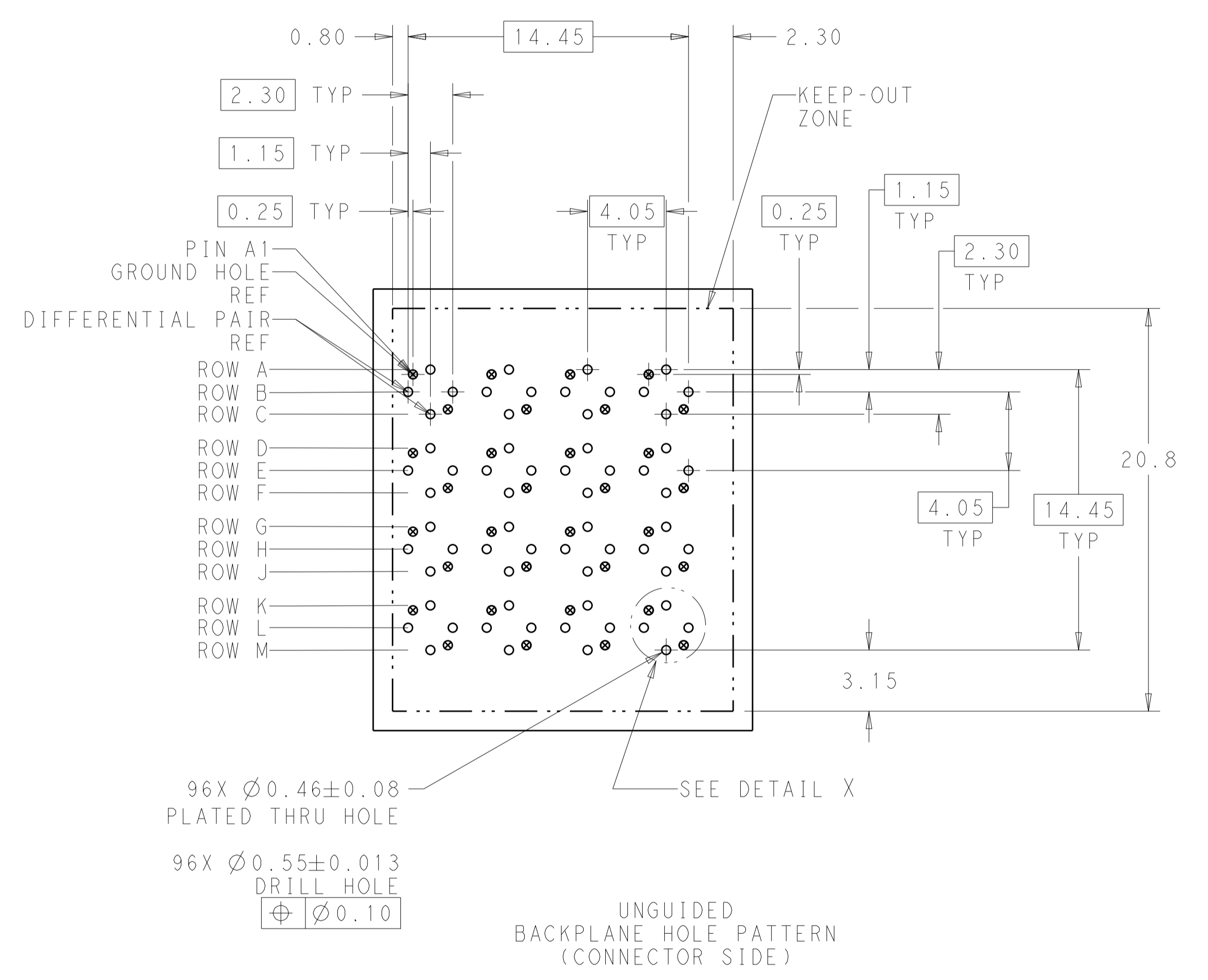
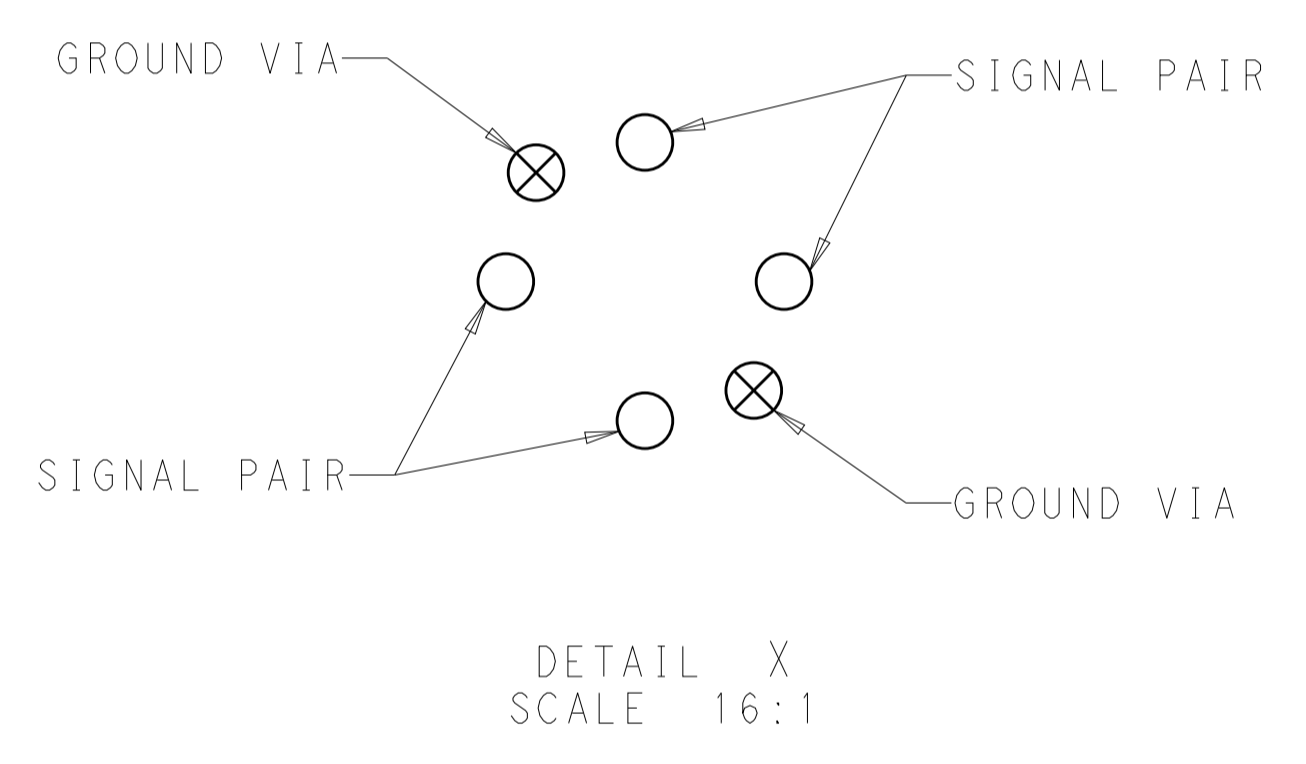


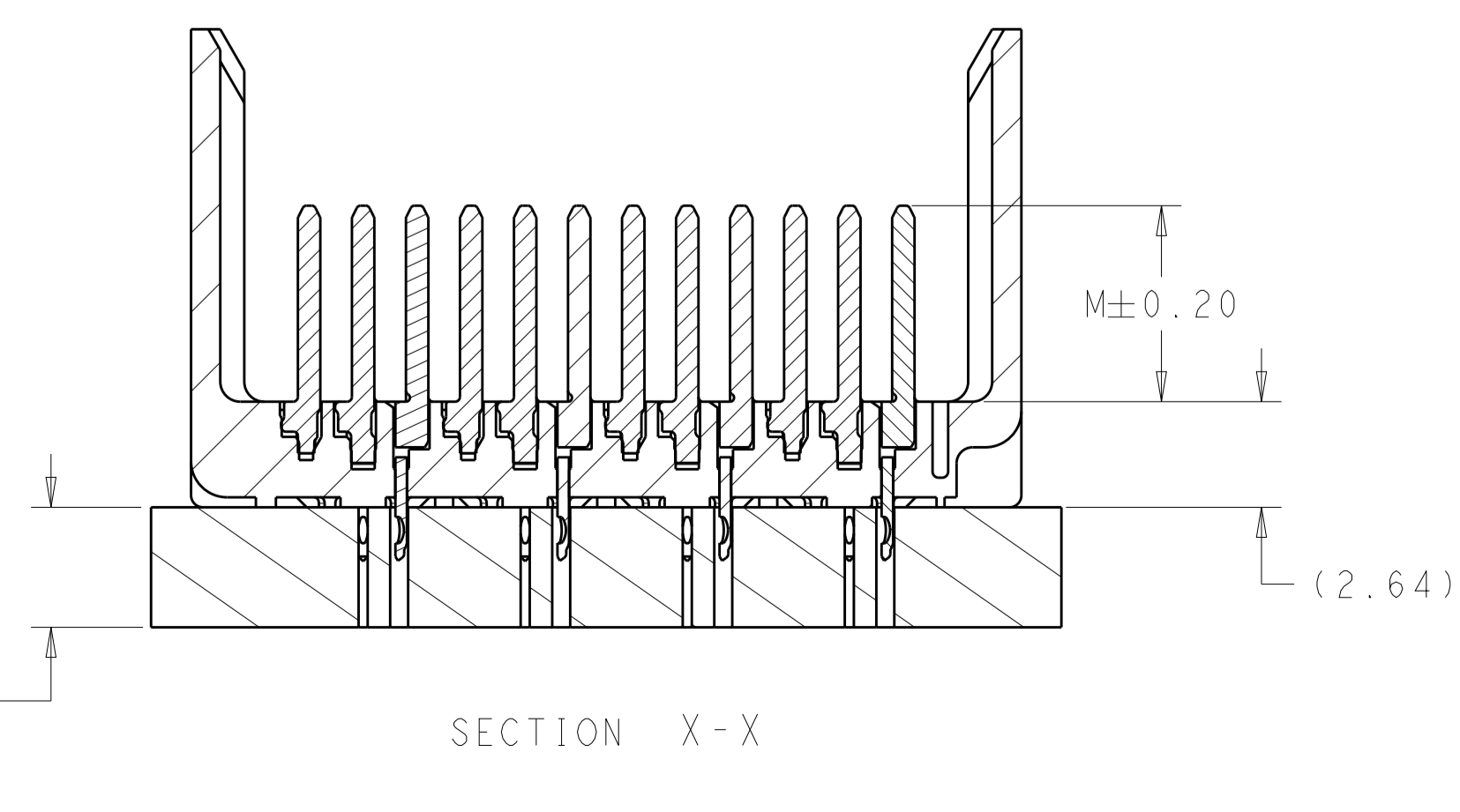
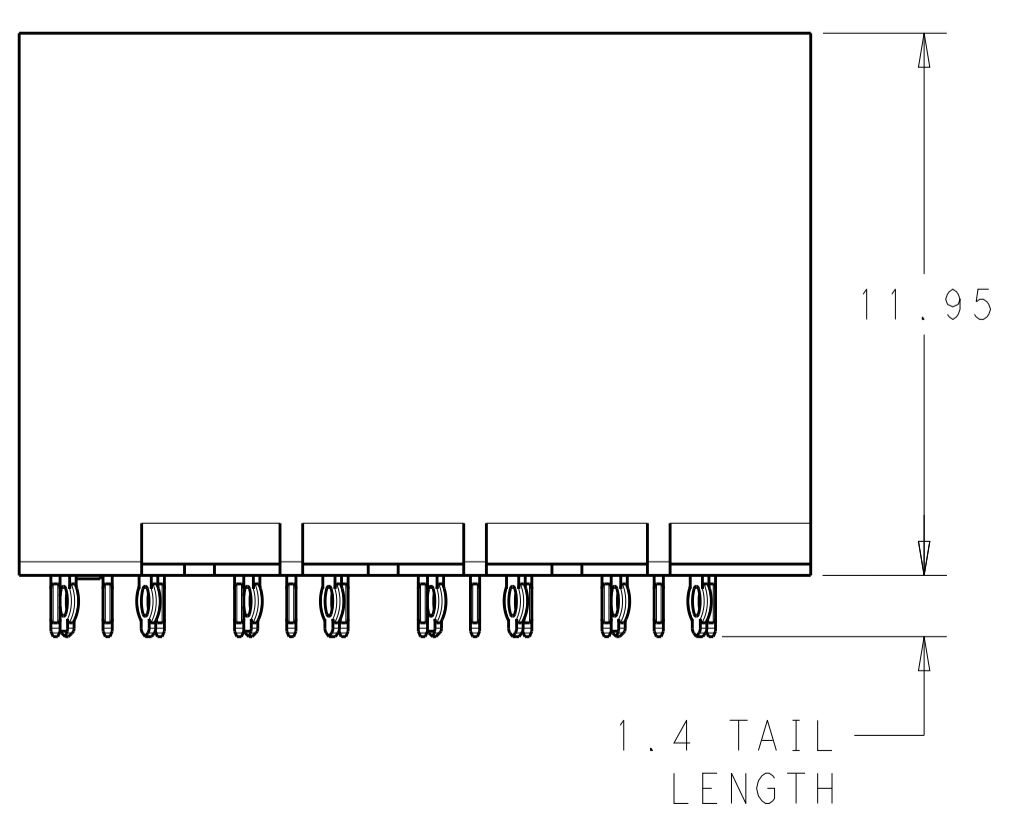
LOC	DIST	REVISIONS			
P	LTN	DESCRIPTION	DATE	DMN	APVD
B		REVISED PER ECO-14-013271	08SEP2014	AP	DD



- 1 MATERIAL:  
HOUSING: LCP, GLASS FILLED, UL94V-0.  
TERMINALS: HIGH PERFORMANCE COPPER ALLOY.
- 2 FINISH:  
30µ" MIN GOLD IN CONTACT AREA. SELECTIVE TIN ON PCB TAILS, NICKEL OVERALL.



REFER TO WWW.TE.COM FOR PRODUCT AVAILABILITY



FINISH	5.5	2132624-2
DIM M	4.9	2132624-1
PART NUMBER		

THIS DRAWING IS A CONTROLLED DOCUMENT.		DMN: KIRAN HOLLAPATI 15APR2013	TE Connectivity
DIMENSIONS: mm		CHK: D. DIXON 15APR2013	
TOLERANCES UNLESS OTHERWISE SPECIFIED:		APVD: D. DIXON 15APR2013	NAME: IMPACT, ORTHOGONAL, 4 PAIR, 8 COLUMN HEADER, UNGUIDED, RIGHT END WALL SIGNAL MODULE, 0.46 PTH SIZE: CAGE CODE DRAWING NO: A100779 ©=2132624 RESTRICTED TO: Customer Drawing
0 PLC ± 1 PLC ±0.25 2 PLC ±0.13 3 PLC ± 4 PLC ± ANGLES ±		WEIGHT: SCALE: 6:1 SHEET 1 OF 1 REV B	