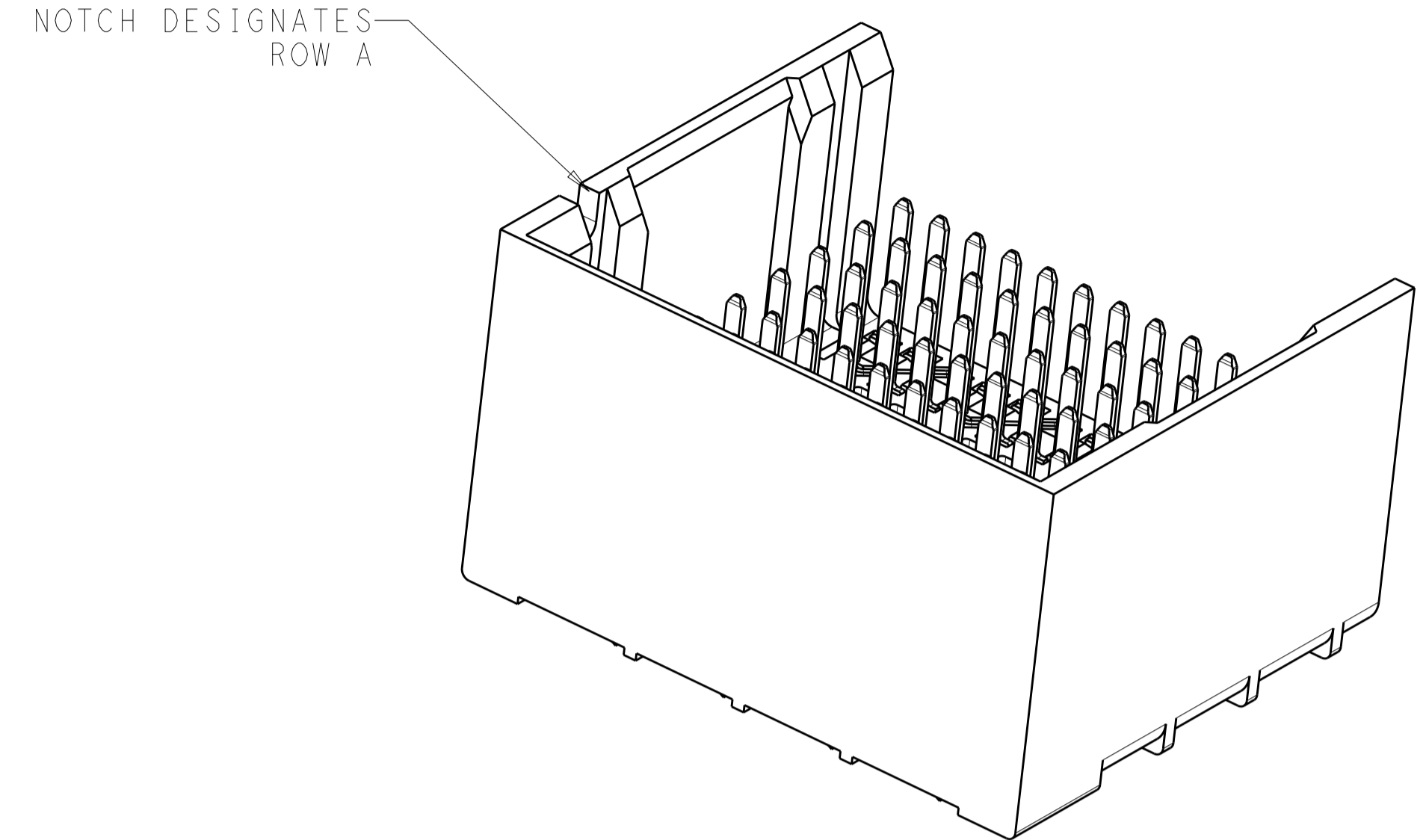
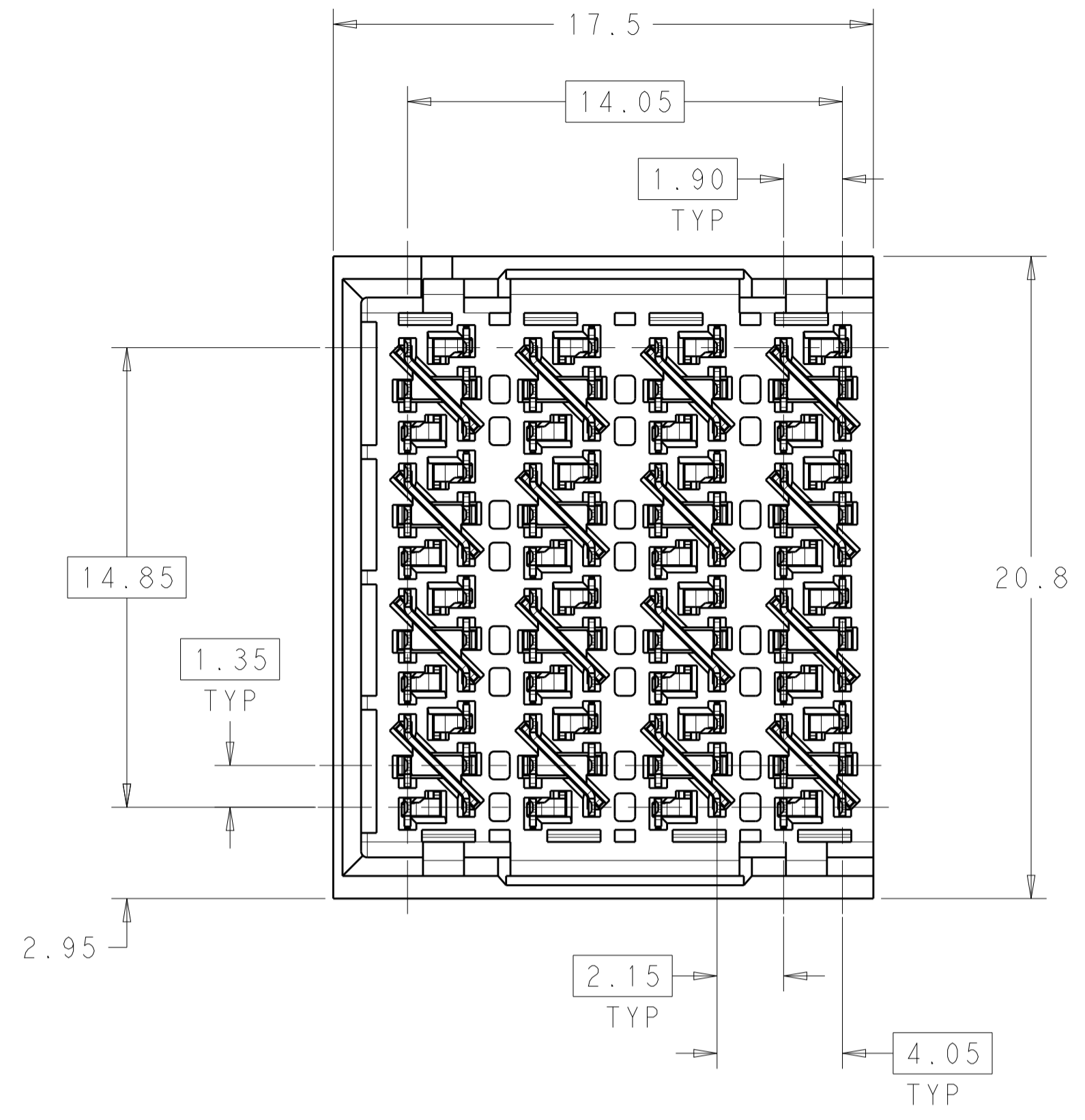
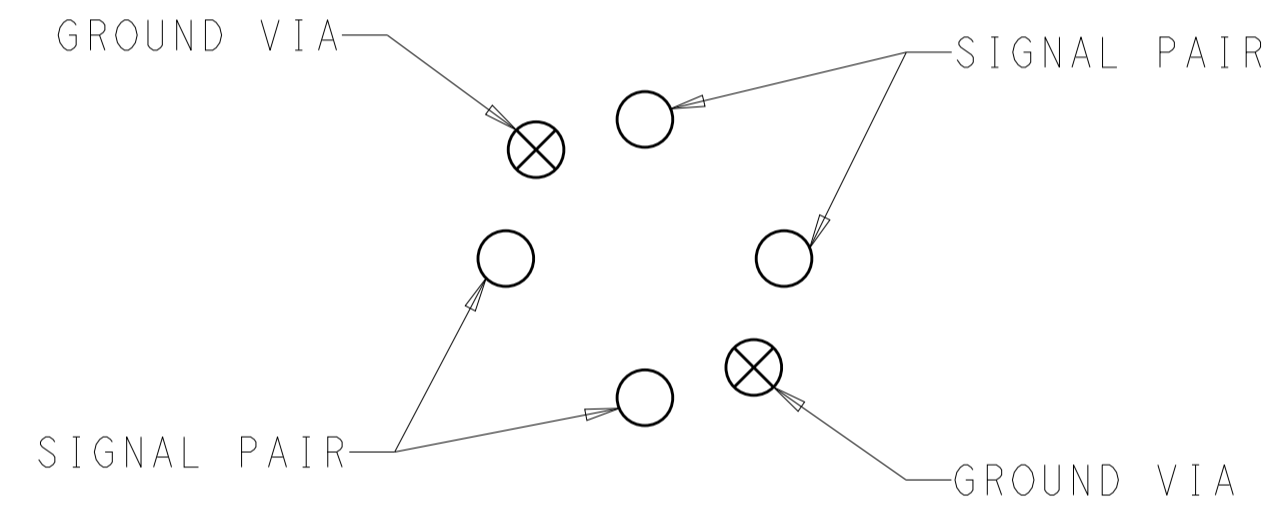


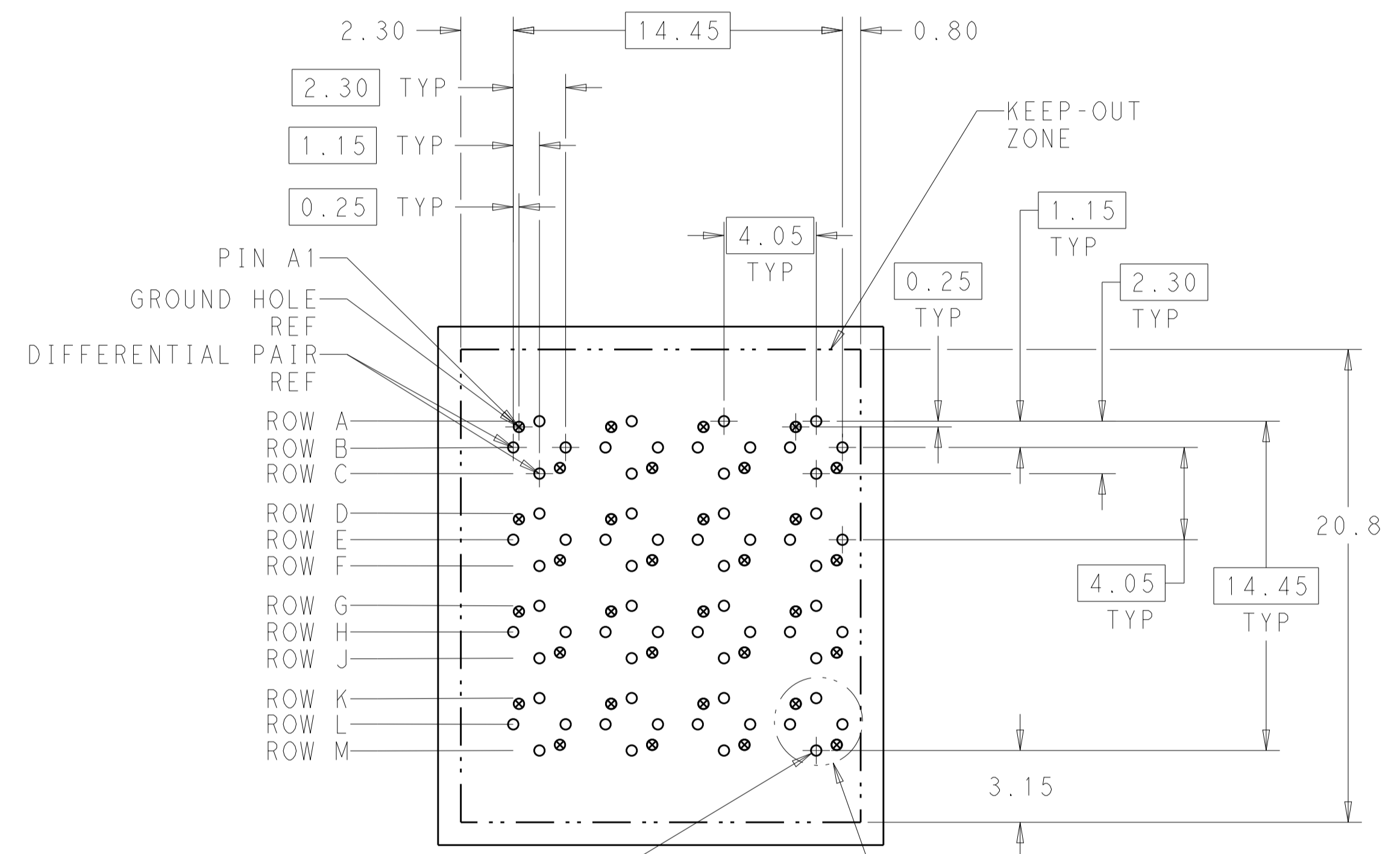
REVISIONS				
P.	LTN	DESCRIPTION	DATE	APVD
B		REVISED PER ECO-14-013271	06SEP2014	AP DD



- △ MATERIAL:
HOUSING: LCP, GLASS FILLED, UL94V-0.
TERMINALS: HIGH PERFORMANCE COPPER ALLOY.
- △ FINISH:
30μ" MIN GOLD IN CONTACT AREA. SELECTIVE TIN ON PCB TAILS, NICKEL OVERALL.



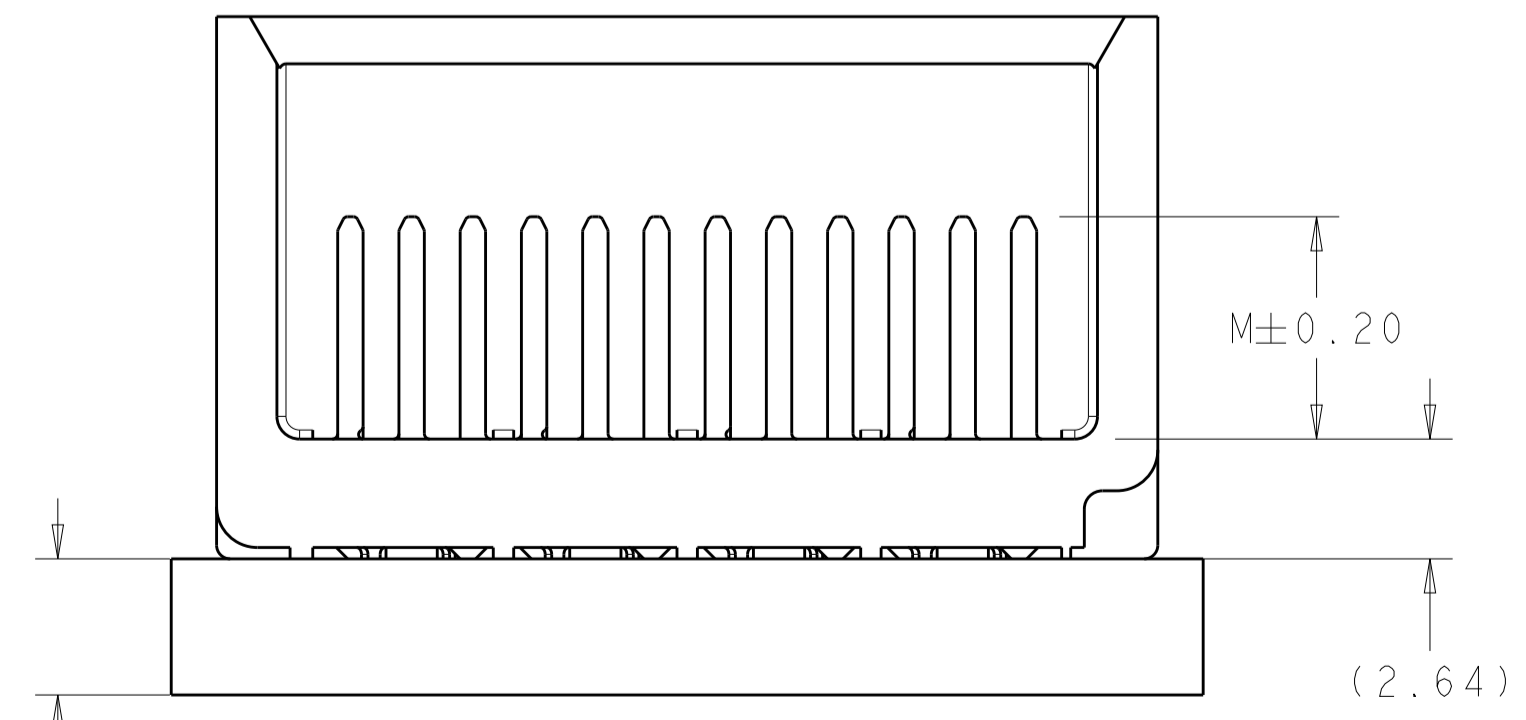
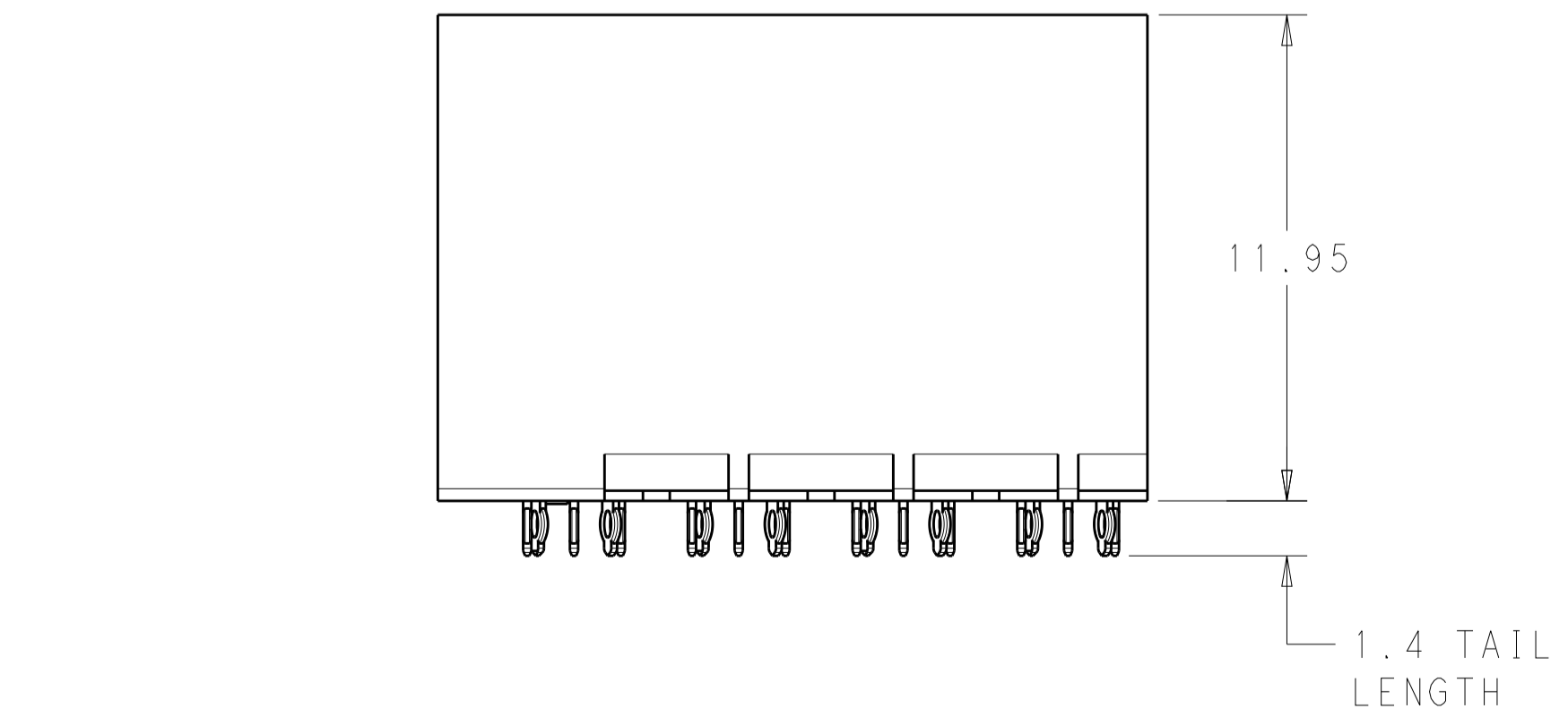
DETAIL X
SCALE 16:1



96X $\varnothing 0.46 \pm 0.08$
PLATED THRU HOLE
 96X $\varnothing 0.55 \pm 0.013$
DRILL HOLE
 $\varnothing 0.10$

UNGUIDED
BACKPLANE HOLE PATTERN
(CONNECTOR SIDE)

REFER TO WWW.TE.COM
FOR PRODUCT AVAILABILITY



3.00
MINIMUM BOARD
THICKNESS

△	5.5	2132622-2
△	4.9	2132622-1
FINISH	DIM M	PART NUMBER

THIS DRAWING IS A CONTROLLED DOCUMENT.		DWN: R. IRAN HOLA 15APR2013	
DIMENSIONS: mm		CHK: D. DIXON 15APR2013	
TOLERANCES UNLESS OTHERWISE SPECIFIED:		APVD: D. DIXON 15APR2013	NAME: IMPACT, ORTHOGONAL, 4 PAIR, 8 COLUMN HEADER, UNGUIDED, LEFT END WALL SIGNAL MODULE, 0.46 PTH SIZE: CAGE CODE DRAWING NO. RESTRICTED TO WEIGHT: A100779 ©=2132622 Customer Drawing SCALE 6:1 SHEET 1 OF 1 REV B
0 PLC ± 1 PLC ±0.25 2 PLC ±0.13 3 PLC ± 4 PLC ± ANGLES ±		PRODUCT SPEC: - APPLICATION SPEC: - FINISH: SEE TABLE	