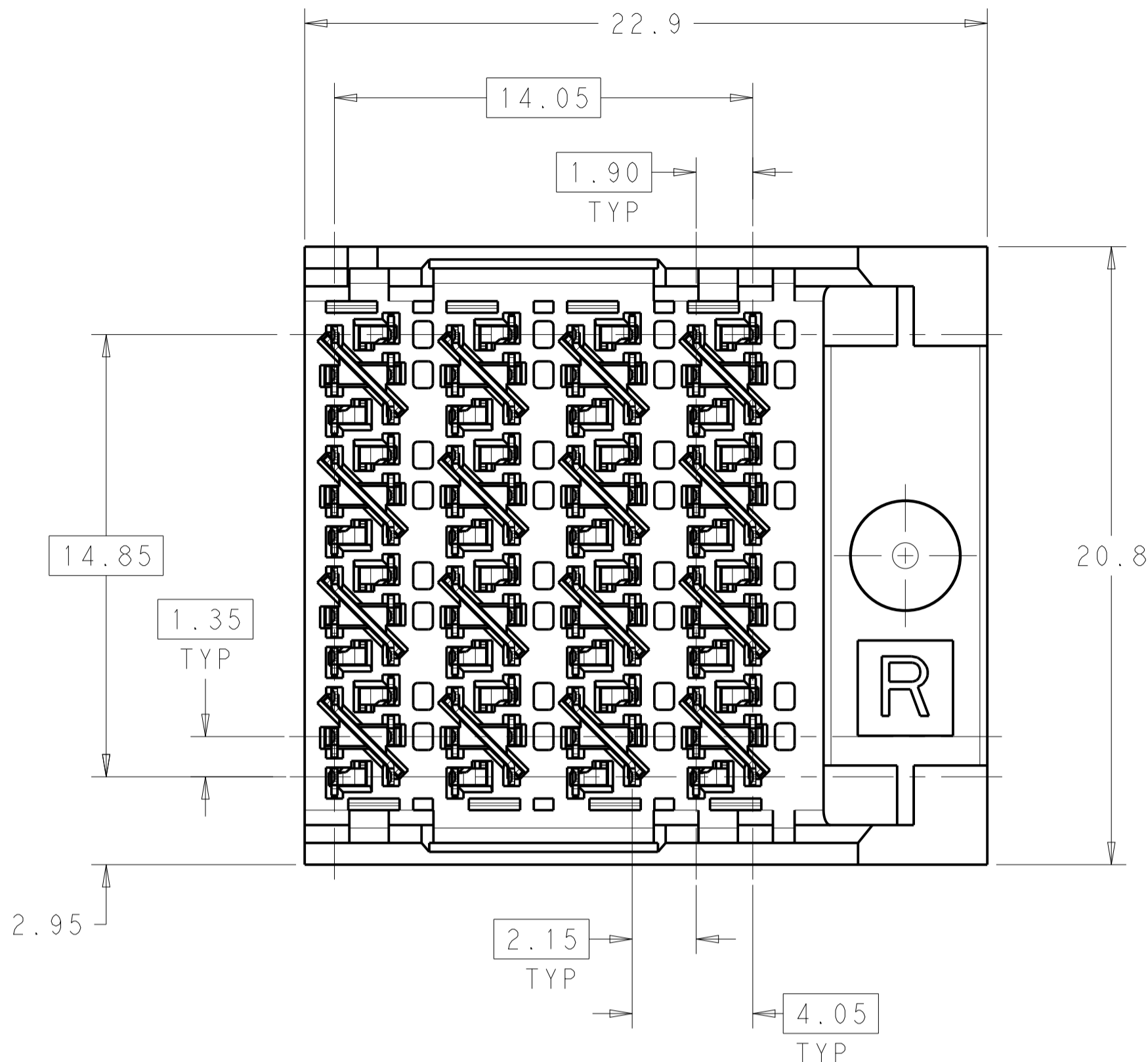
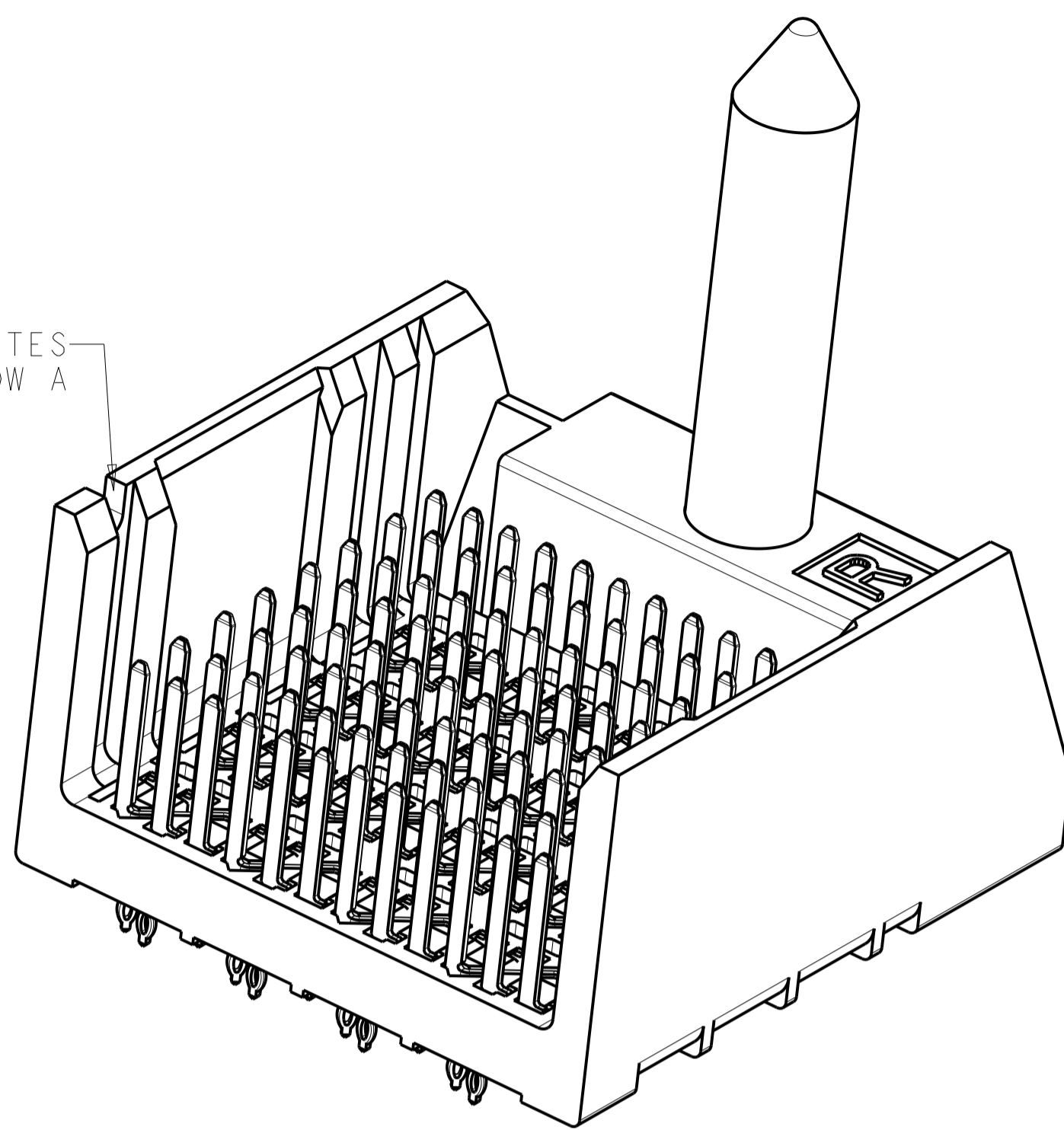


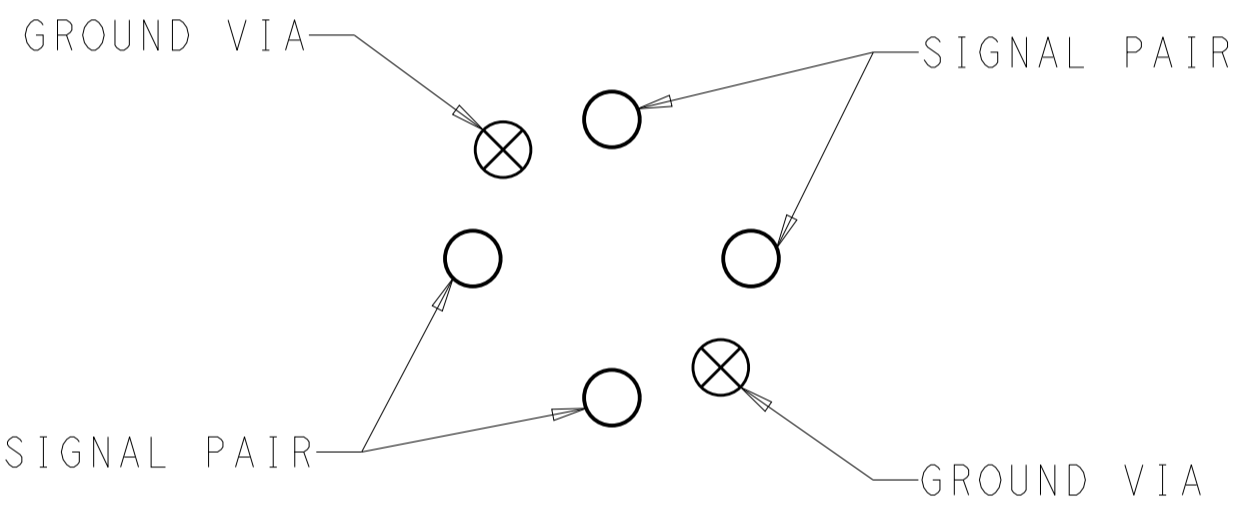
REVISIONS				
REV	LTN	DESCRIPTION	DATE	APV
B		REVISED PER ECO-14-013271	06SEP2014	AP DD



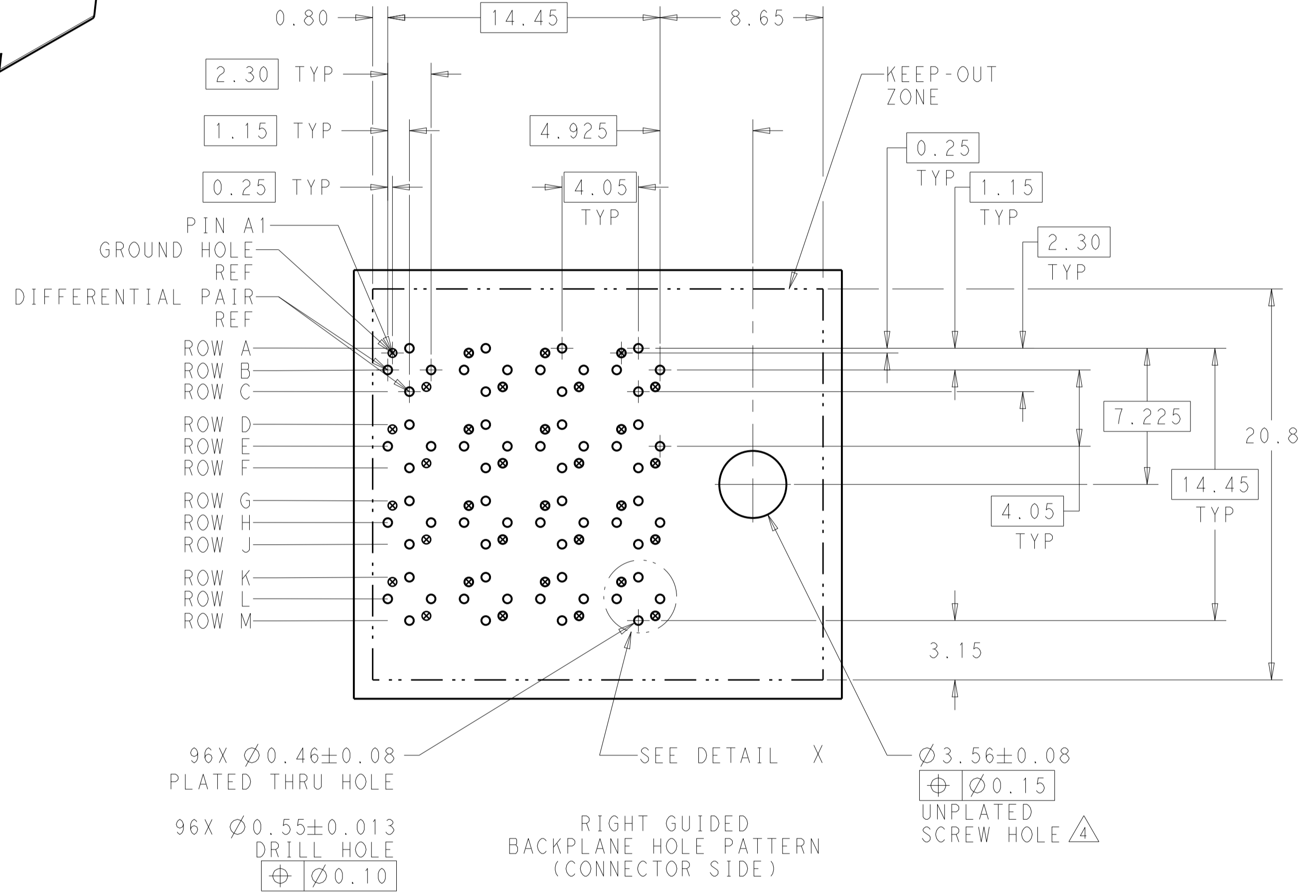
NOTCH DESIGNATES ROW A



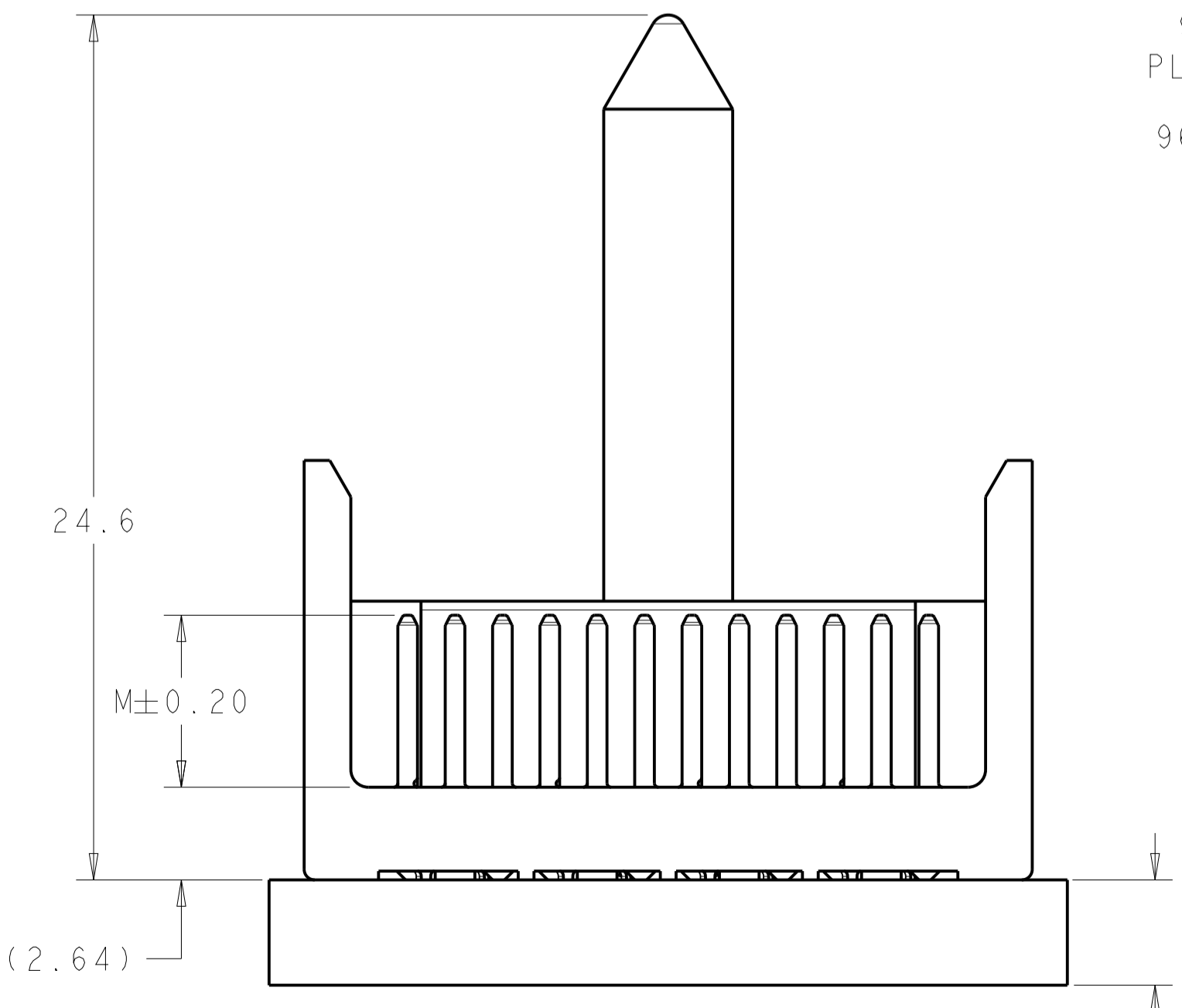
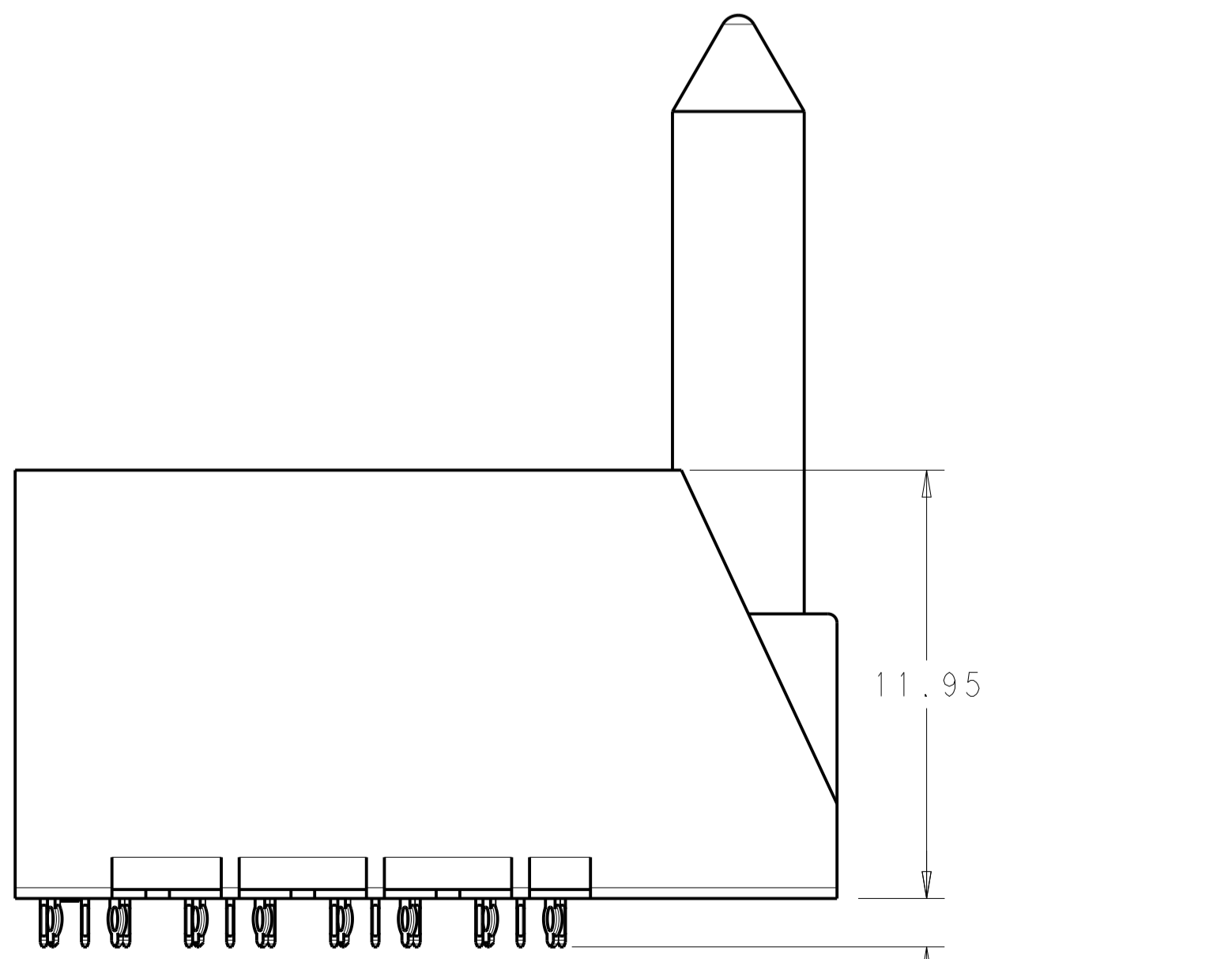
- 1 MATERIAL:  
HOUSING: LCP, GLASS FILLED, UL94V-0.  
TERMINALS: HIGH PERFORMANCE COPPER ALLOY.
- 2 FINISH:  
30μ" MIN GOLD IN CONTACT AREA. SELECTIVE TIN ON PCB TAILS, NICKEL OVERALL.
- 3. SCREWS PACKAGED IN END OF PACKAGING TUBE.
- 4 FOR GROUNDED GUIDE PIN USE  $\varnothing 3.56 \pm 0.08$  PTH,  $\varnothing 3.66$  DRILL, AND  $\varnothing 6.5$  PAD.



DETAIL X  
SCALE 16:1



REFER TO WWW.TE.COM FOR PRODUCT AVAILABILITY



2	5.5	2132619-2
2	4.9	2132619-1
FINISH	DIM M	PART NUMBER

THIS DRAWING IS A CONTROLLED DOCUMENT.		OWN: KIRAN HOLAL 15APR2013	TE Connectivity	
DIMENSIONS: mm		CHK: D. DIXON 15APR2013	NAME: IMPACT, ORTHOGONAL, 4 PAIR, 8 COLUMN HEADER, RIGHT GUIDED, OPEN END WALL SIGNAL MODULE, 0.46 PTH	
TOLERANCES UNLESS OTHERWISE SPECIFIED:		APV: D. DIXON 15APR2013	SIZE: CAGE CODE DRAWING NO: A100779 ©=2132619	
0 PLC	±	PRODUCT SPEC	RESTRICTED TO	
2 PLC	±0.25	APPLICATION SPEC	Customer Drawing	
3 PLC	±0.13	WEIGHT	SCALE: 6:1 SHEET 1 OF 1 REV B	
5 PLC	±	ANGLES		
4 PLC	±			
FINISH	SEE TABLE			