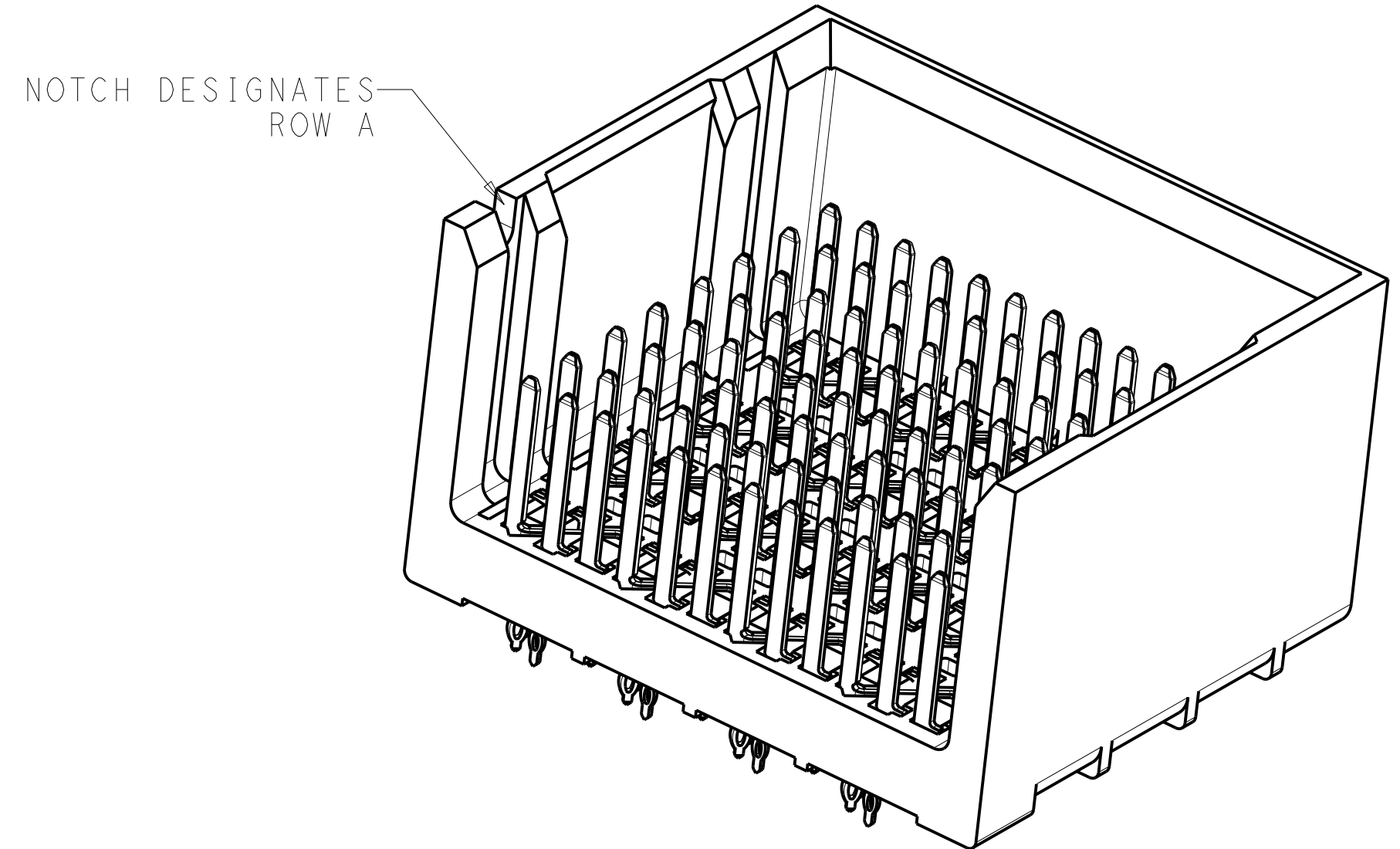
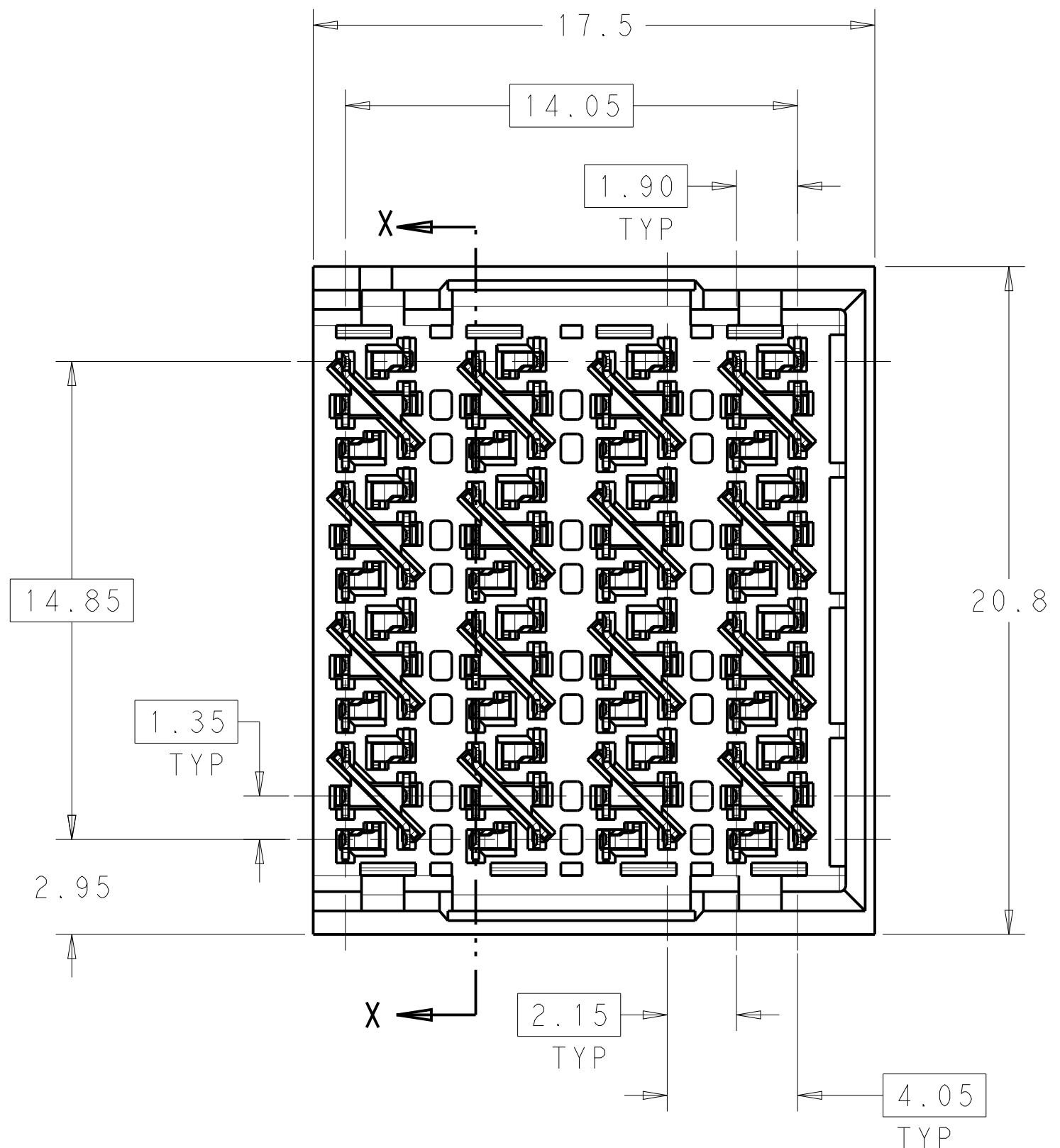
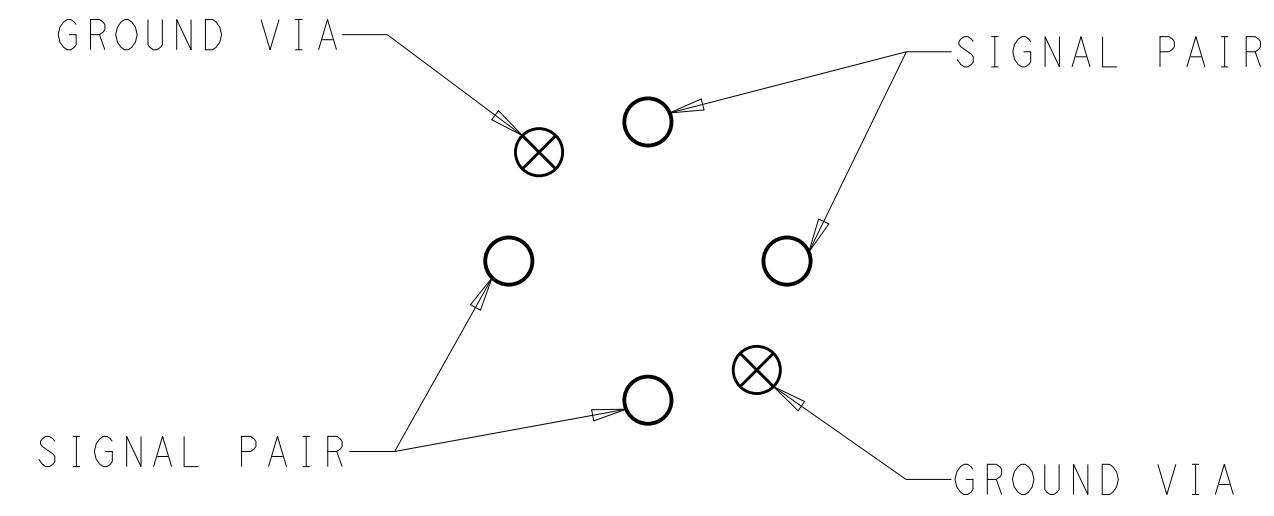


REVISIONS				
REV	LTN	DESCRIPTION	DATE	APVD
C		REVISED PER ECO-14-013271	06SEP2014	AP DD

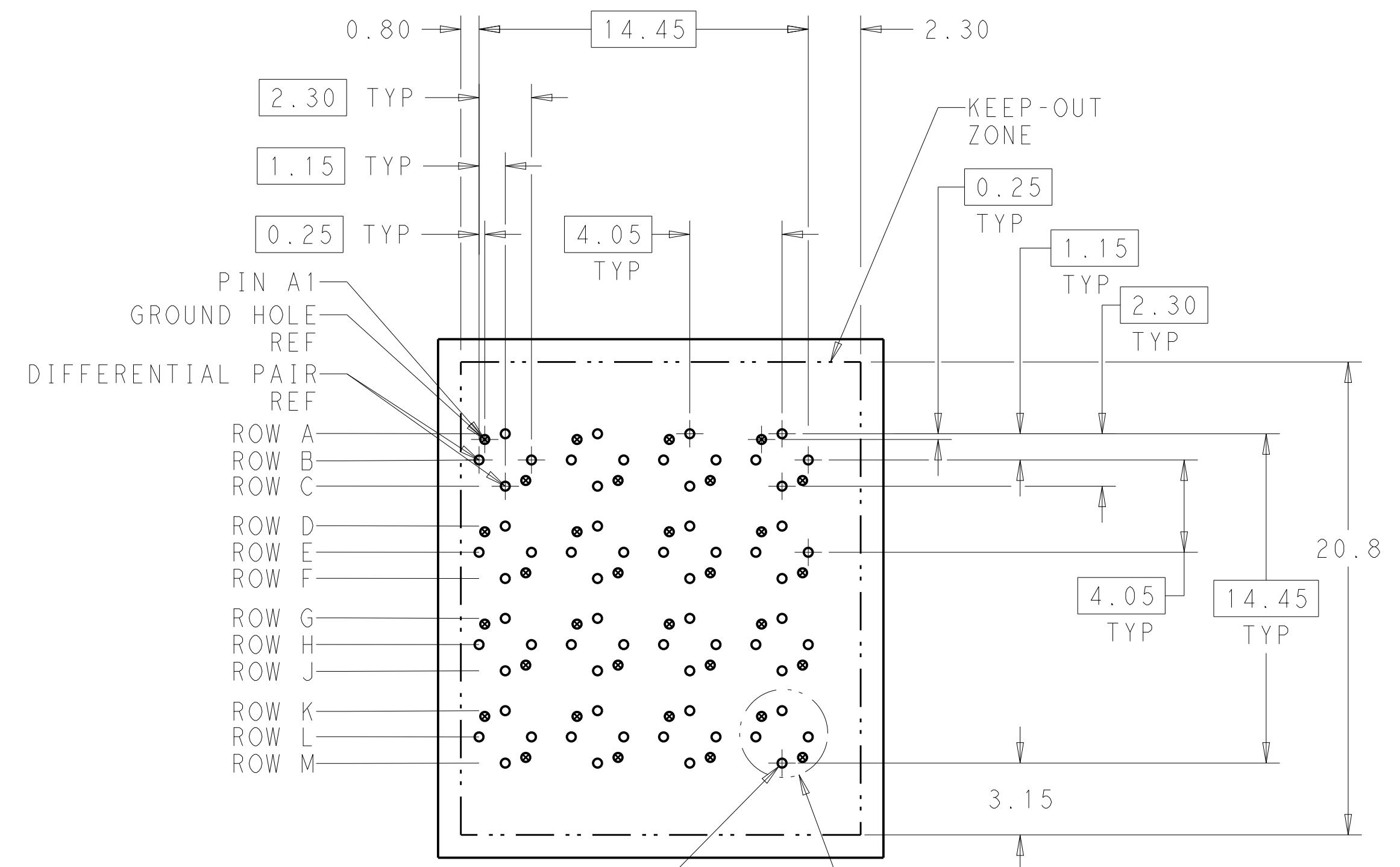


1 MATERIAL:
HOUSING: LCP, GLASS FILLED, UL94V-0.
TERMINALS: HIGH PERFORMANCE COPPER ALLOY.

2 FINISH:
30μ" MIN GOLD IN CONTACT AREA. SELECTIVE TIN ON PCB TAILS, NICKEL OVERALL.

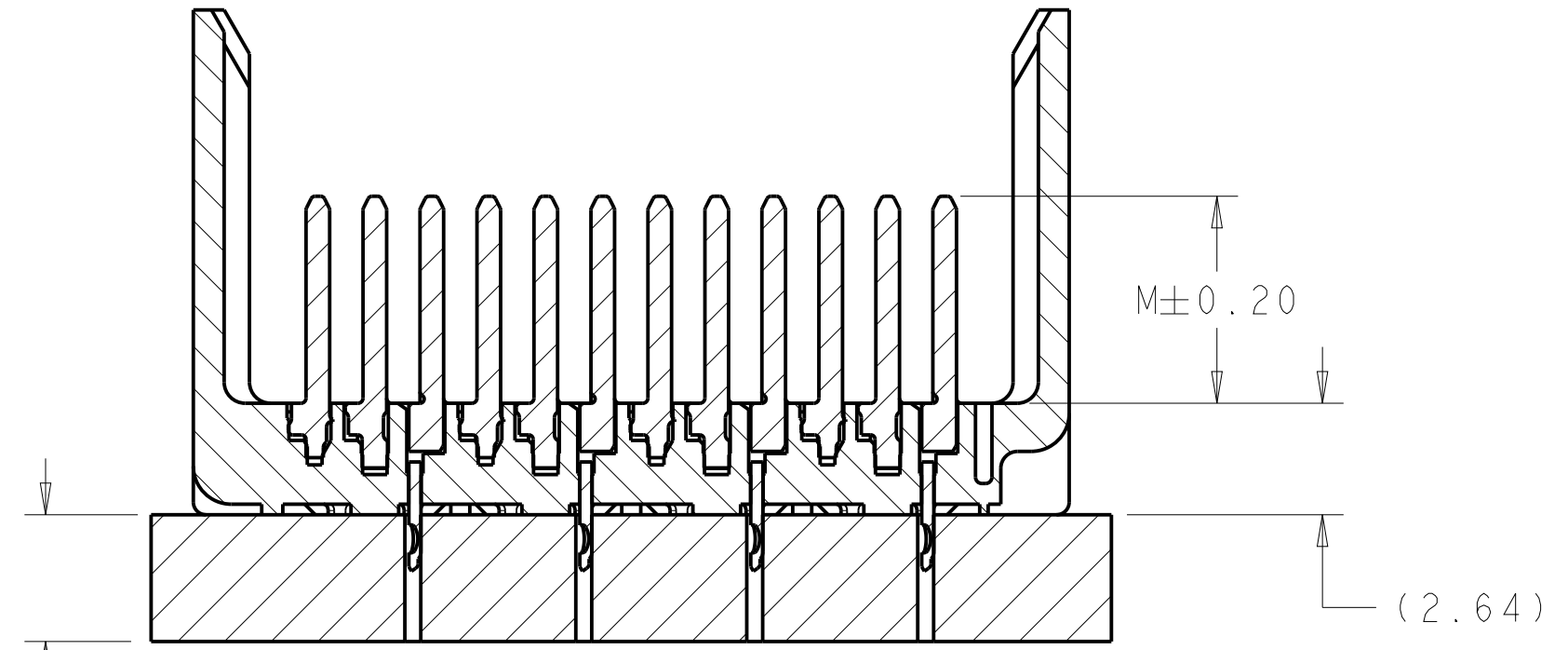
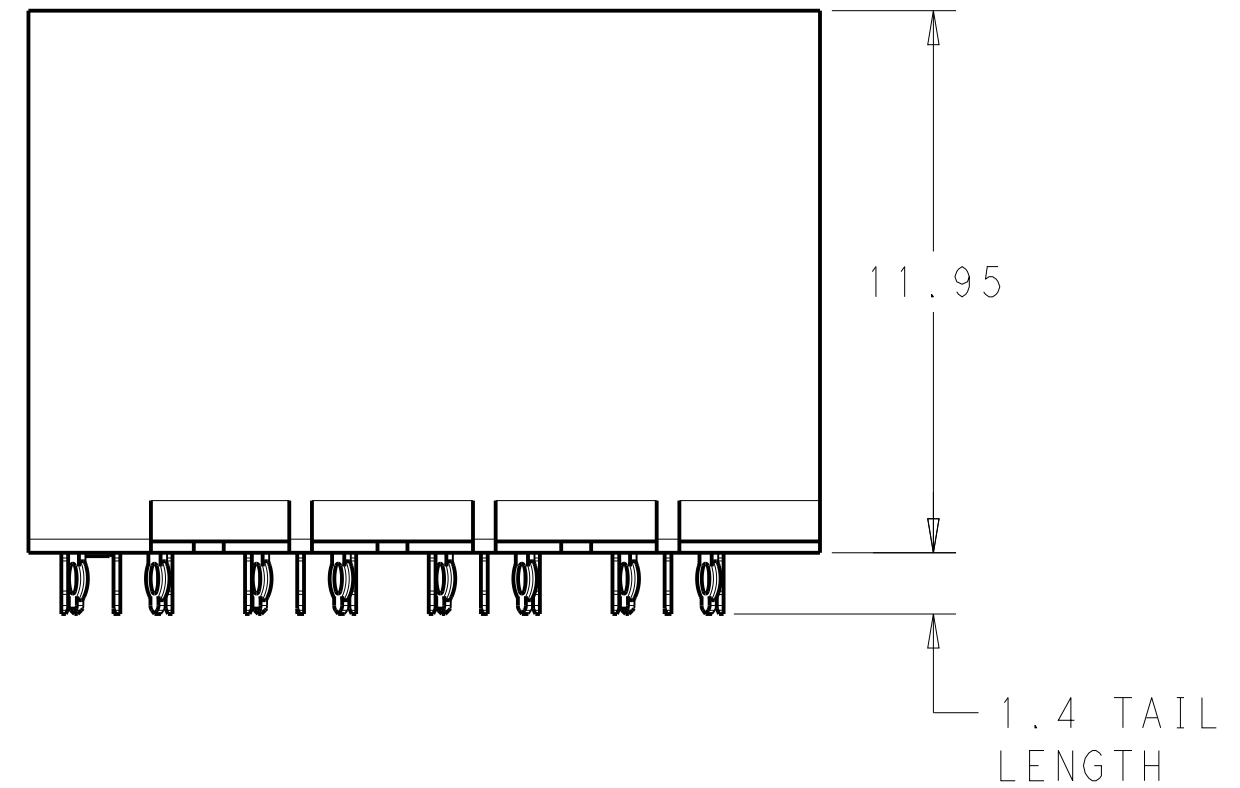


DETAIL X
SCALE 16:1



UNGUIDED BACKPLANE HOLE PATTERN (CONNECTOR SIDE)

REFER TO WWW.TE.COM FOR PRODUCT AVAILABILITY



SECTION X-X

3.00 MINIMUM BOARD THICKNESS

2	5.5	2132616-2
2	4.9	2132616-1
FINISH	DIM M	PART NUMBER

THIS DRAWING IS A CONTROLLED DOCUMENT.		OWN: KIRAN HOLAL 09APR2013	TE Connectivity
DIMENSIONS: mm		CHK: D. DIXON 09APR2013	
TOLERANCES UNLESS OTHERWISE SPECIFIED:		APVD: D. DIXON 09APR2013	NAME: IMPACT, ORTHOGONAL, 4 PAIR, 8 COLUMN HEADER, UNGUIDED, RIGHT END WALL SIGNAL MODULE, 0.39 PTH SIZE: CAGE CODE DRAWING NO: A100779 WEIGHT: - CUSTOMER DRAWING
0 PLC ± 1 PLC ±0.25 2 PLC ±0.13 3 PLC ± 4 PLC ± ANGLES ±		PRODUCT SPEC: - APPLICATION SPEC: - FINISH: SEE TABLE	
MATERIAL: SEE TABLE		SCALE: 6:1	SHEET 1 OF 1 REV C