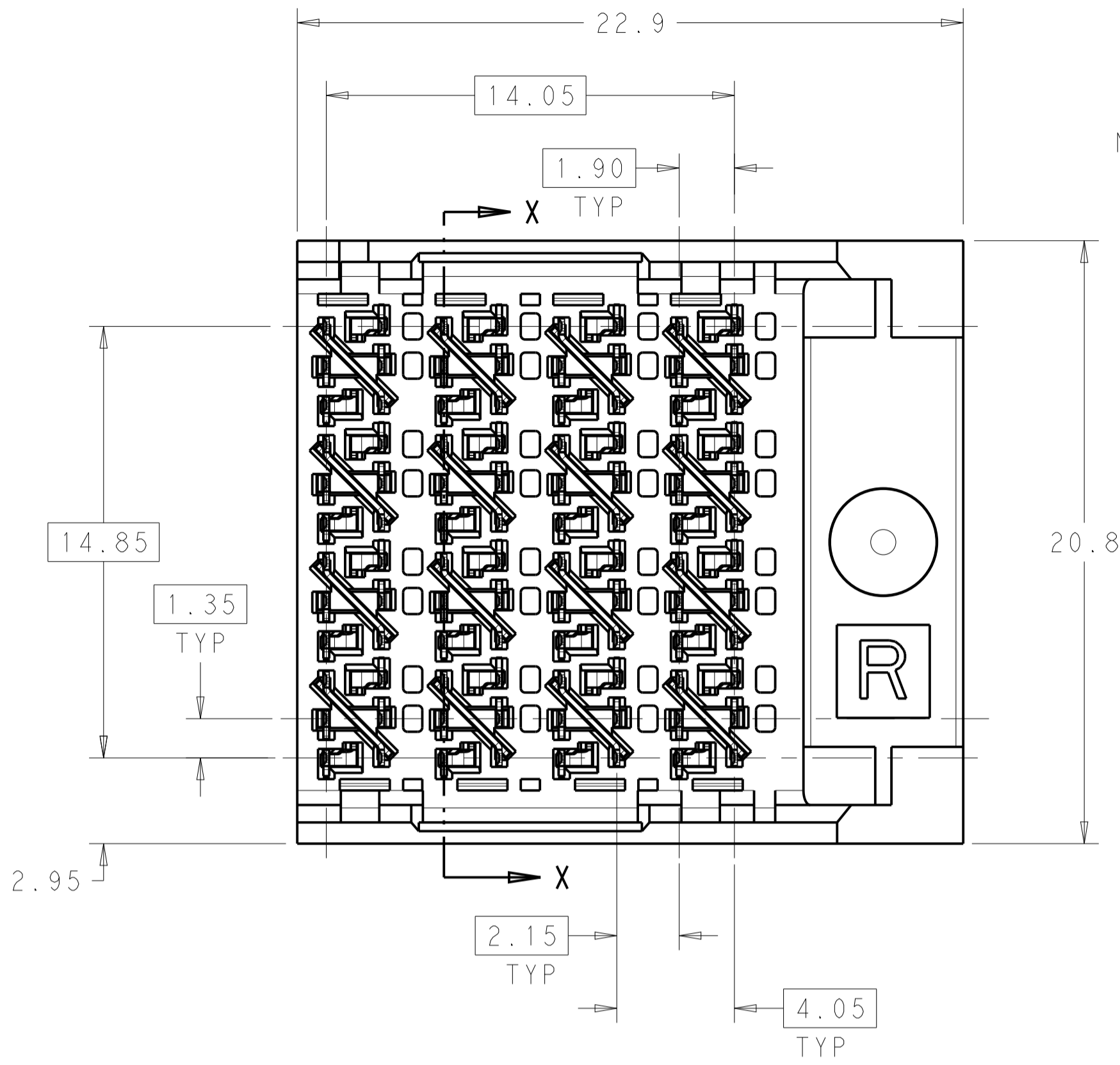
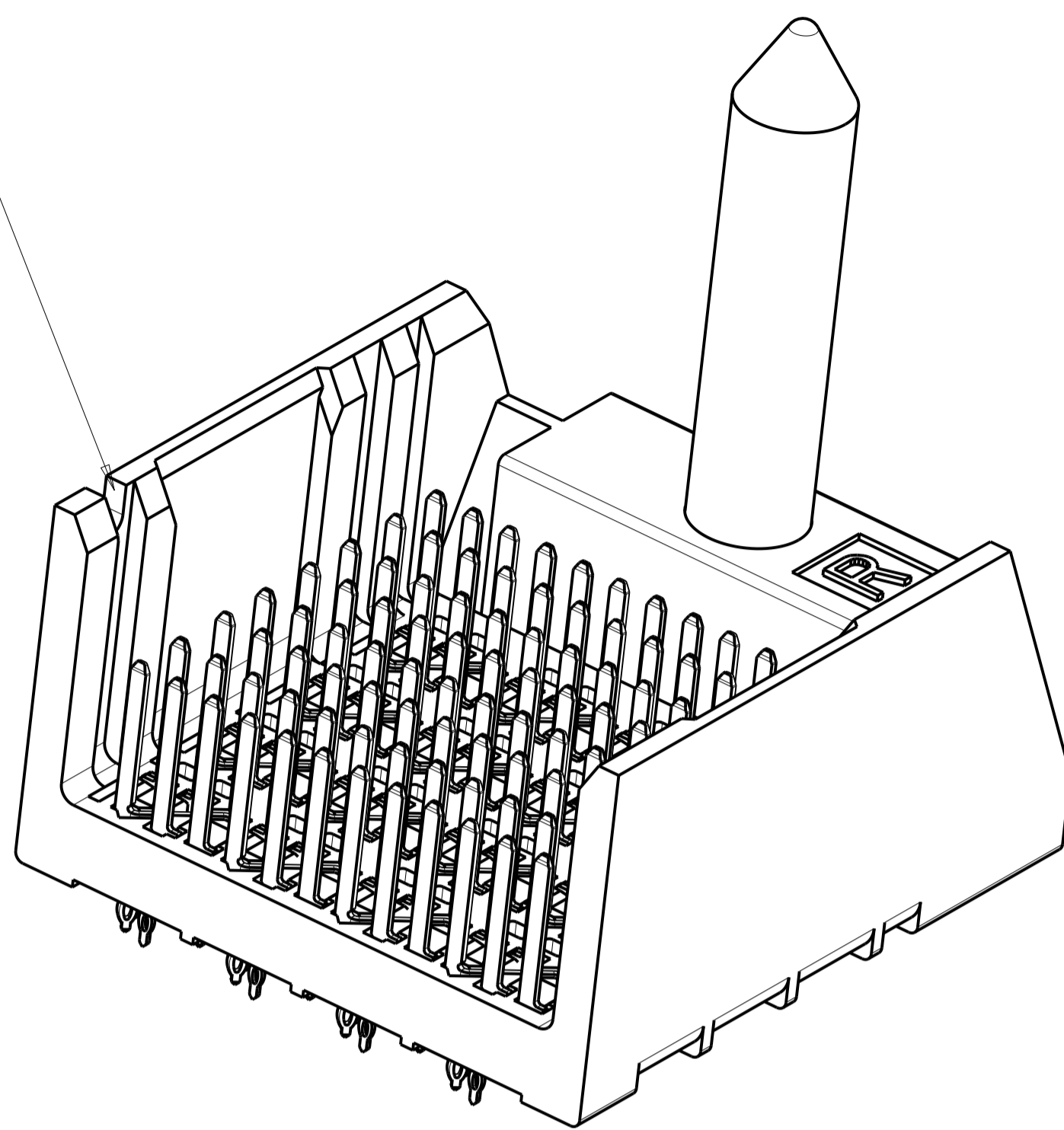


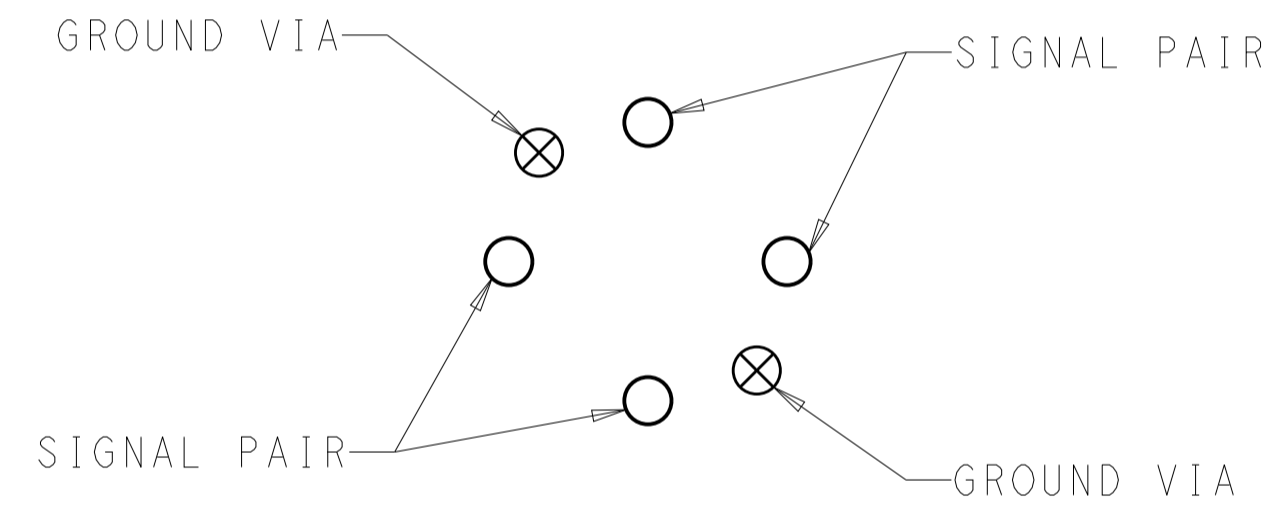
REVISIONS				
REV	LTN	DESCRIPTION	DATE	APV
C		REVISED PER ECO-14-013271	06SEP2014	AP DD



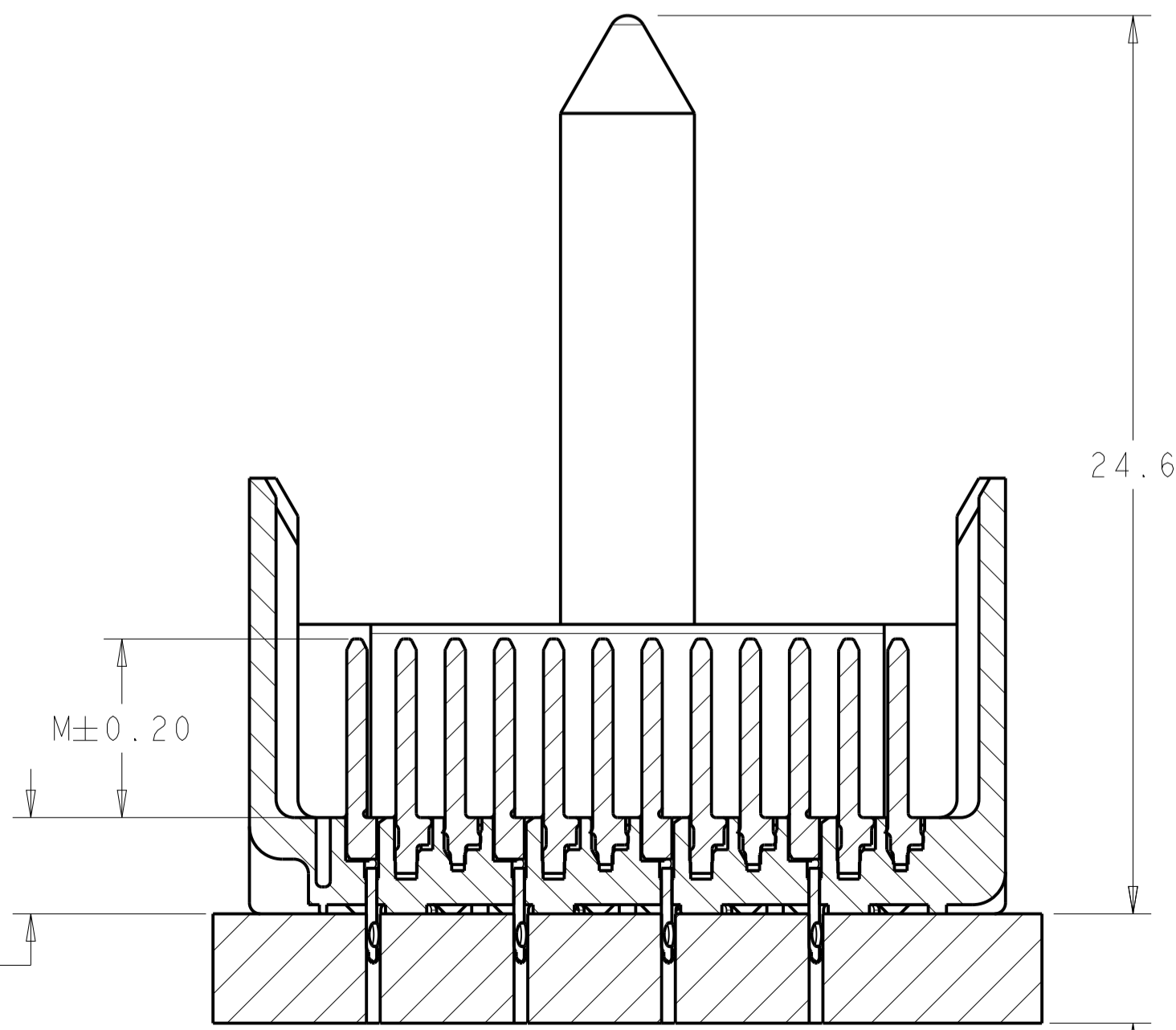
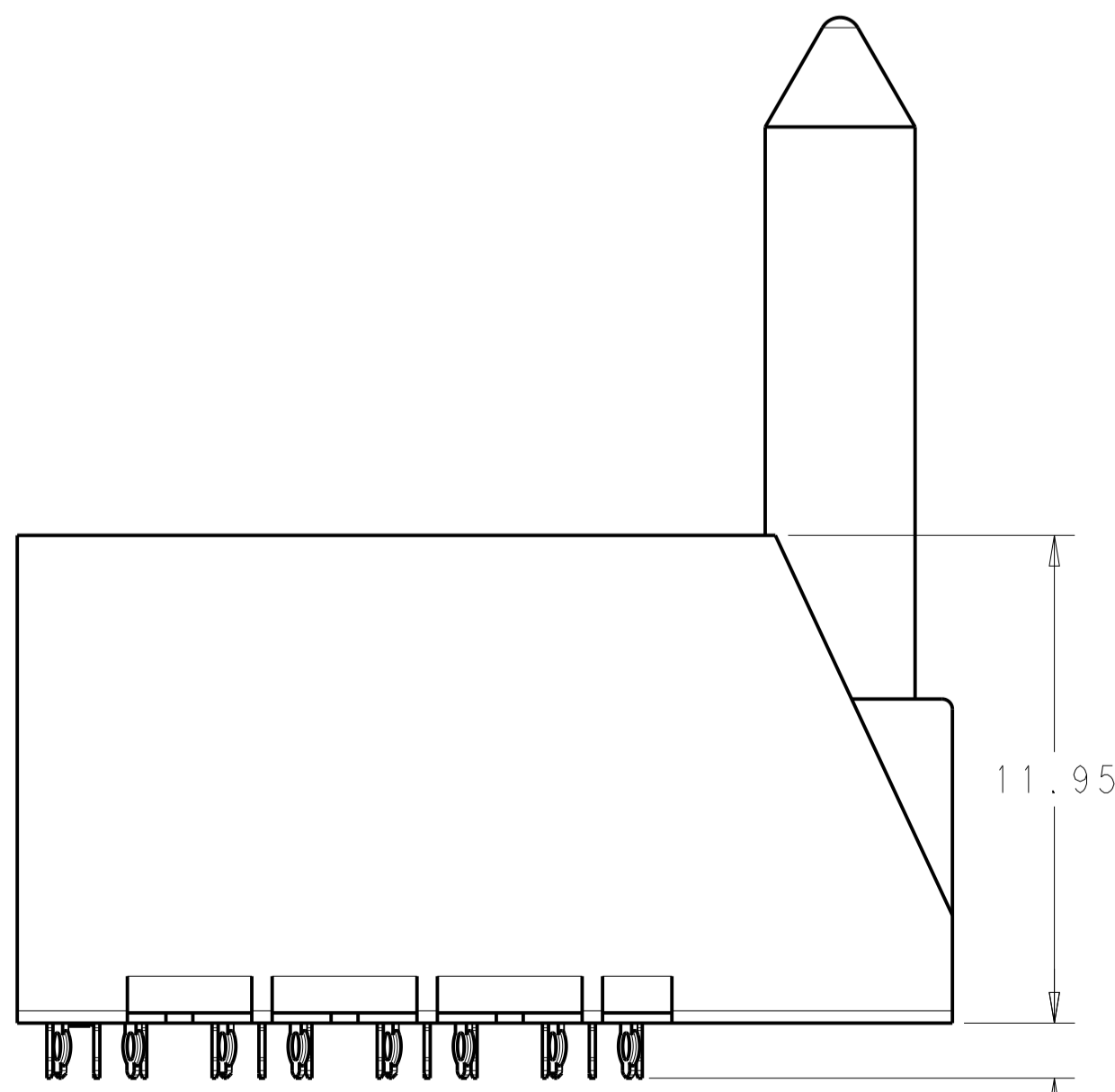
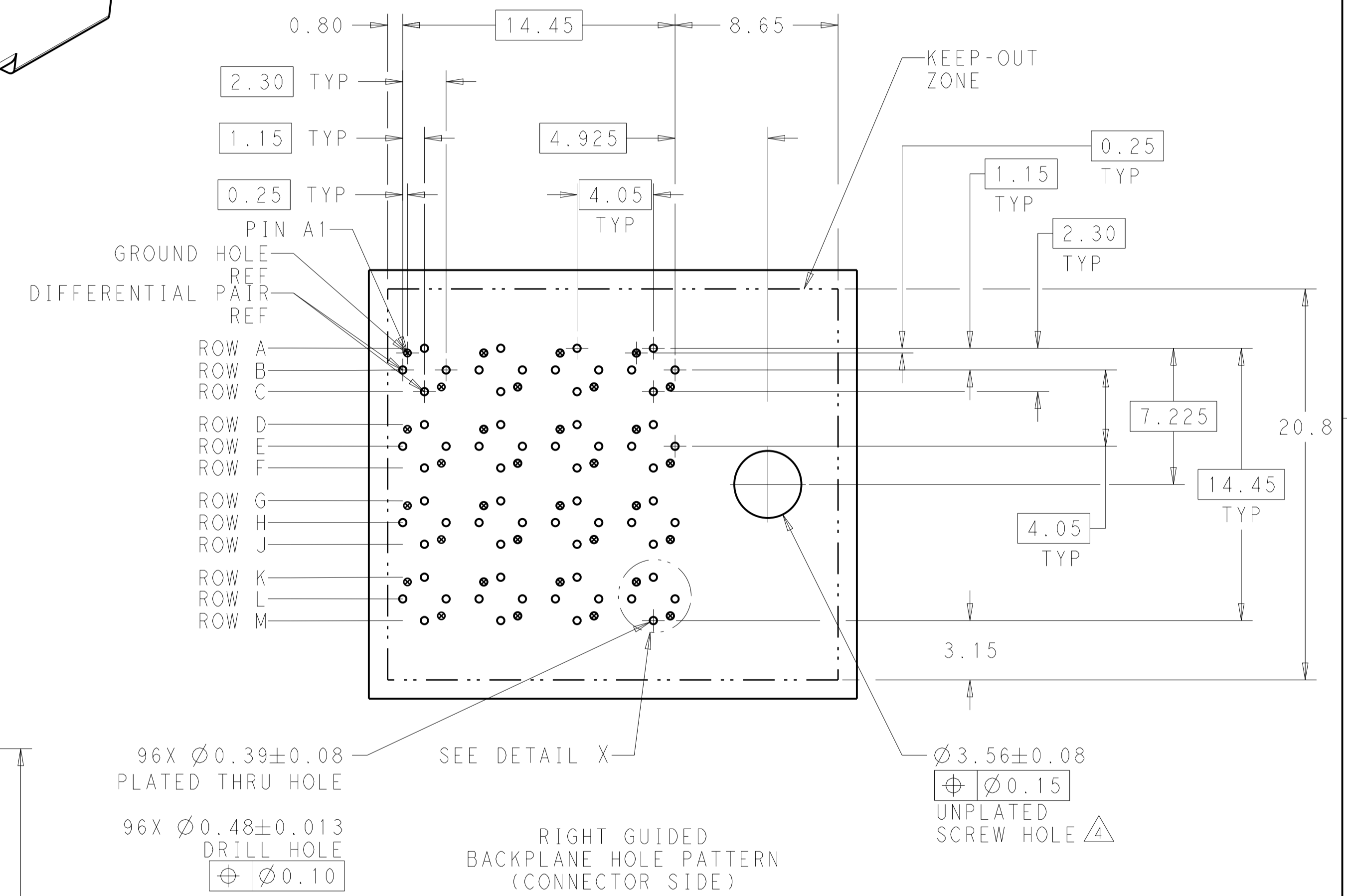
NOTCH DESIGNATES ROW A



- 1 MATERIAL:  
HOUSING: LCP, GLASS FILLED, UL94V-0.  
TERMINALS: HIGH PERFORMANCE COPPER ALLOY.
- 2 FINISH:  
30μ" MIN GOLD IN CONTACT AREA. SELECTIVE TIN ON PCB TAILS, NICKEL OVERALL.
- 3. SCREWS PACKAGED IN END OF PACKAGING TUBE.
- 4 FOR GROUNDED GUIDE PIN USE Ø3.56±0.08 PTH, Ø3.66 DRILL, AND Ø6.5 PAD.



DETAIL X  
SCALE 16:1



SECTION X-X

REFER TO WWW.TE.COM FOR PRODUCT AVAILABILITY

2	5.5	2132611-2
2	4.9	2132611-1
FINISH	DIM M	PART NUMBER

THIS DRAWING IS A CONTROLLED DOCUMENT.		OWN: KIRAN HOLAL 06APR2013	TE Connectivity
DIMENSIONS: mm		CHK: D. DIXON 06APR2013	NAME: IMPACT, ORTHOGONAL, 4 PAIR, 8 COLUMN HEADER, RIGHT GUIDED, OPEN END WALL SIGNAL MODULE, 0.39 PTH
TOLERANCES UNLESS OTHERWISE SPECIFIED:		APV: D. DIXON 06APR2013	
0 PLC	±	PRODUCT SPEC	SIZE: CAGE CODE DRAWING NO. RESTRICTED TO
1 PLC	±0.25	APPLICATION SPEC	
2 PLC	±0.13	WEIGHT	SCALE: 6:1 SHEET 1 OF 1 REV C
3 PLC	±	CUSTOMER DRAWING	
4 PLC	±		
ANGLES	±		
MATERIAL	SEE TABLE		
FINISH	SEE TABLE		