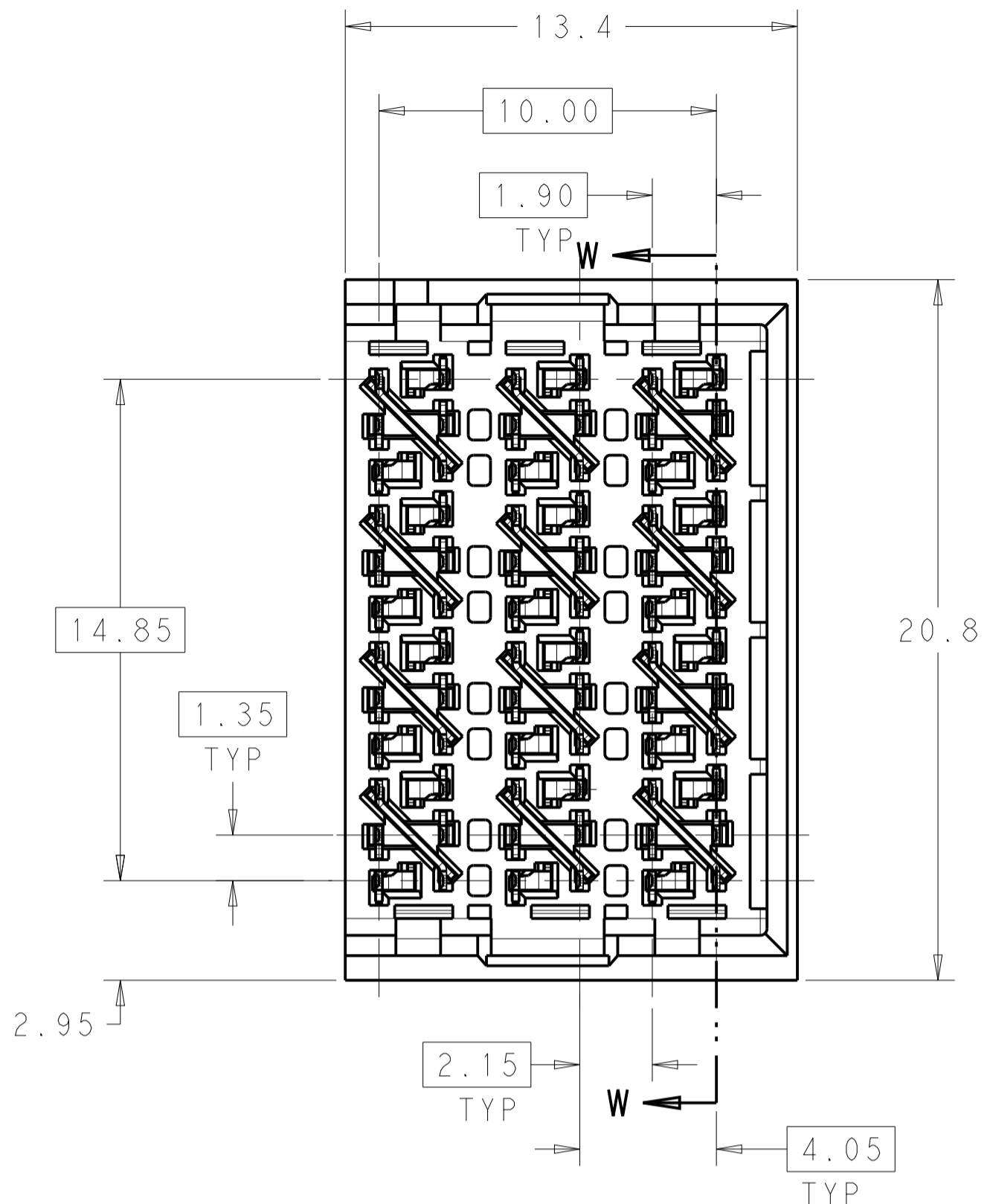
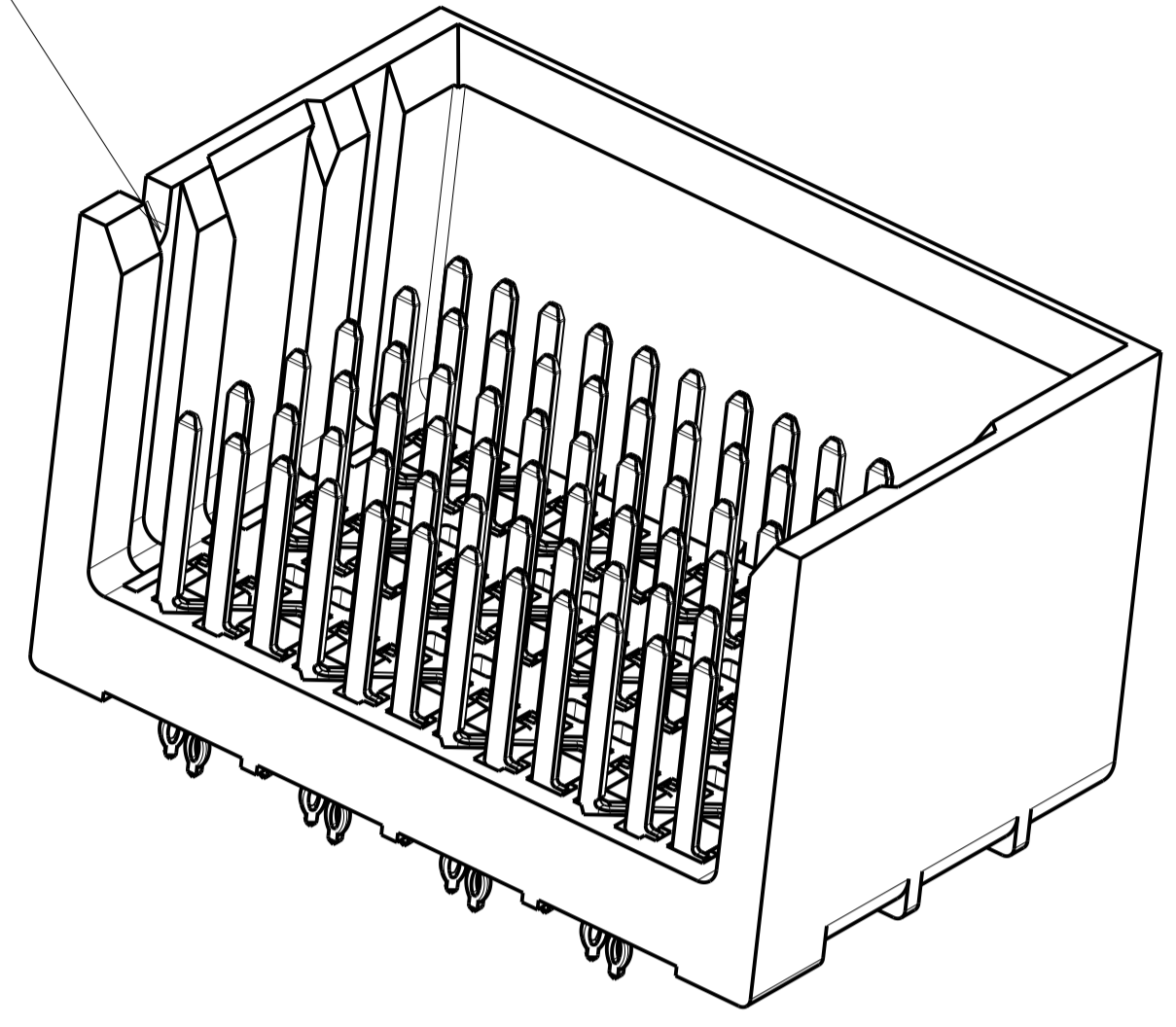


REVISIONS				
P.	LTN	DESCRIPTION	DATE	DWN APVD
B		REVISED PER ECO-14-013271	06SEP2014	AP DD

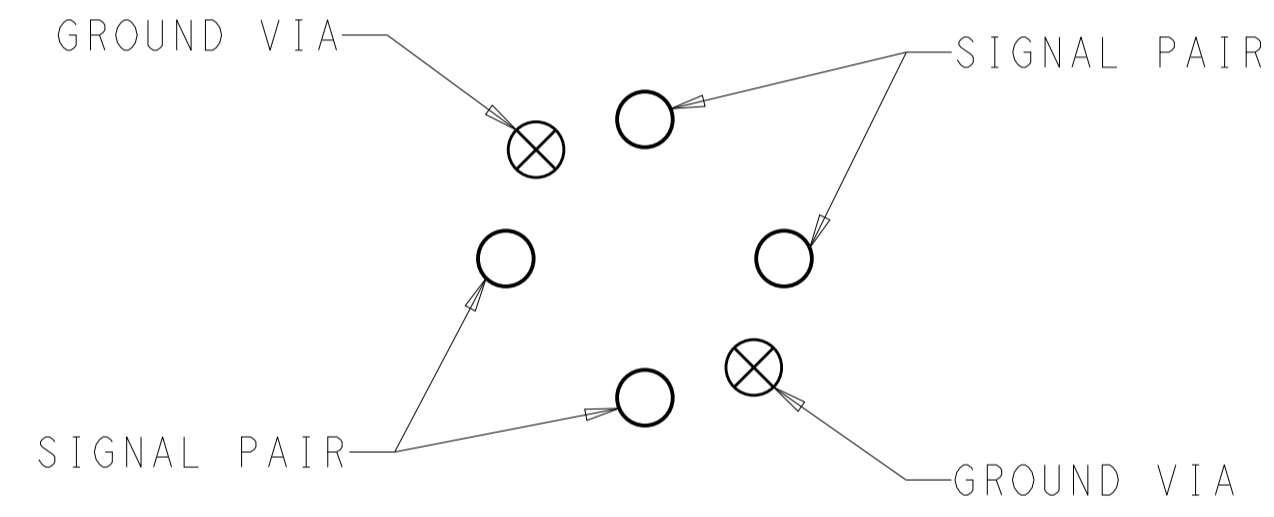


NOTCH DESIGNATES ROW A

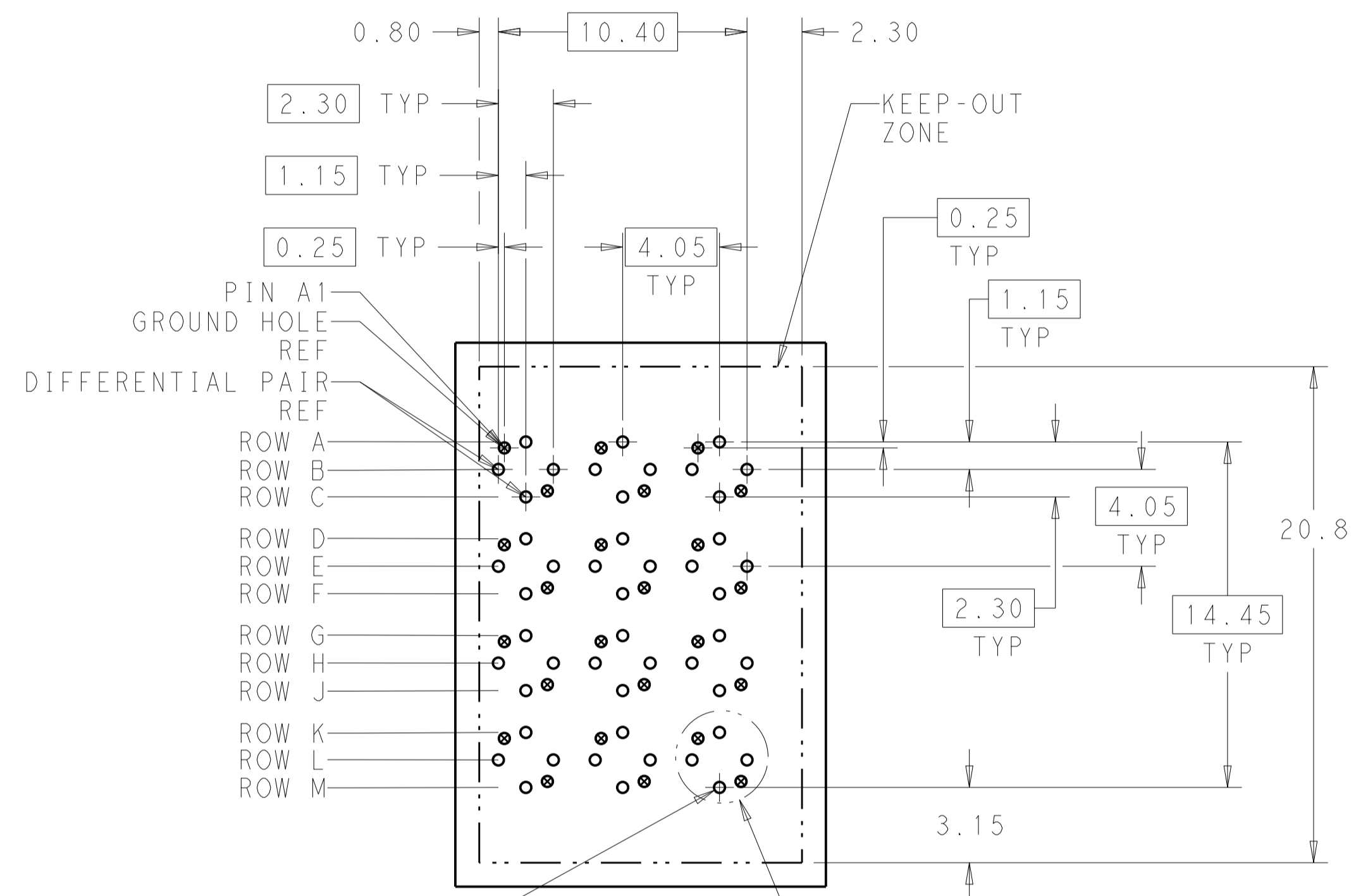


△ MATERIAL:  
HOUSING: LCP, GLASS FILLED, UL94V-0.  
TERMINALS: HIGH PERFORMANCE COPPER ALLOY.

△ FINISH:  
30μ" MIN GOLD IN CONTACT AREA. SELECTIVE TIN ON PCB TAILS, NICKEL OVERALL.



DETAIL X  
SCALE 16:1

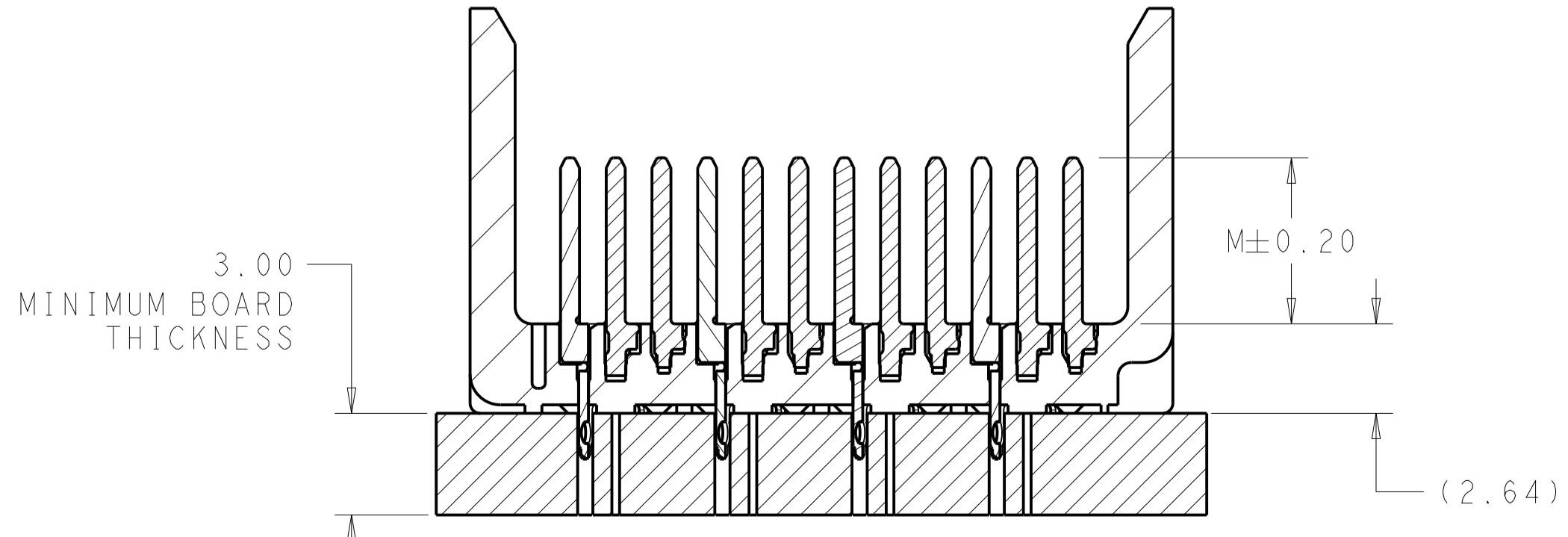
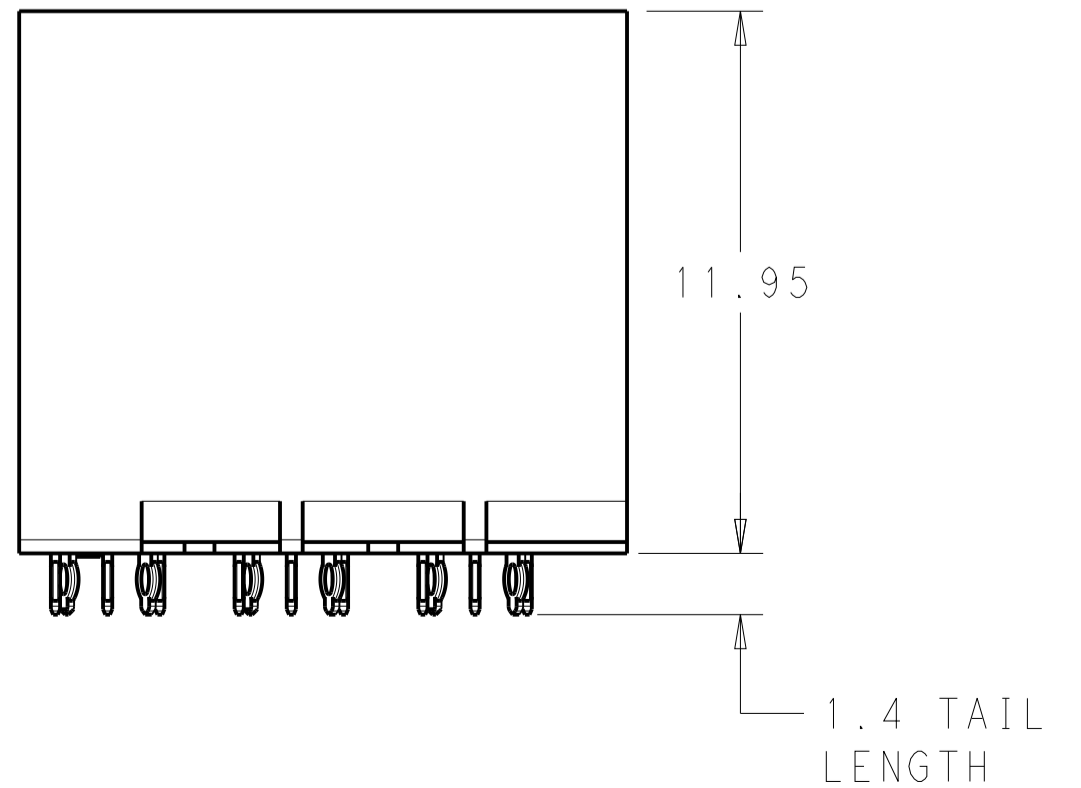


72X  $\varnothing 0.46 \pm 0.08$   
PLATED THRU HOLE

72X  $\varnothing 0.55 \pm 0.013$   
DRILL HOLE  
 $\varnothing 0.10$

UNGUIDED  
BACKPLANE HOLE PATTERN  
(CONNECTOR SIDE)

REFER TO WWW.TE.COM  
FOR PRODUCT AVAILABILITY



SECTION W-W

△	5.5	2132608-2
△	4.9	2132608-1
FINISH	DIM M	PART NUMBER

THIS DRAWING IS A CONTROLLED DOCUMENT.		DWN: KIRAN HOLH 07MAR2013	TE Connectivity	
DIMENSIONS: mm		CHK: D. DIXON 07MAR2013	NAME: IMPACT, ORTHOGONAL, 4 PAIR, 6 COLUMN HEADER, UNGUIDED, RIGHT END WALL SIGNAL MODULE, 0.46 PTH	
TOLERANCES UNLESS OTHERWISE SPECIFIED:		APVD: D. DIXON 07MAR2013	SIZE: CAGE CODE: DRAWING NO: A100779C=2132608	
0 PLC ±		PRODUCT SPEC	RESTRICTED TO	
1 PLC ±0.25		APPLICATION SPEC	SCALE: 6:1 SHEET 1 OF 1 REV B	
2 PLC ±0.13		WEIGHT		
3 PLC ±		Customer Drawing		
4 PLC ±				
ANGLES ±				
MATERIAL: SEE TABLE				