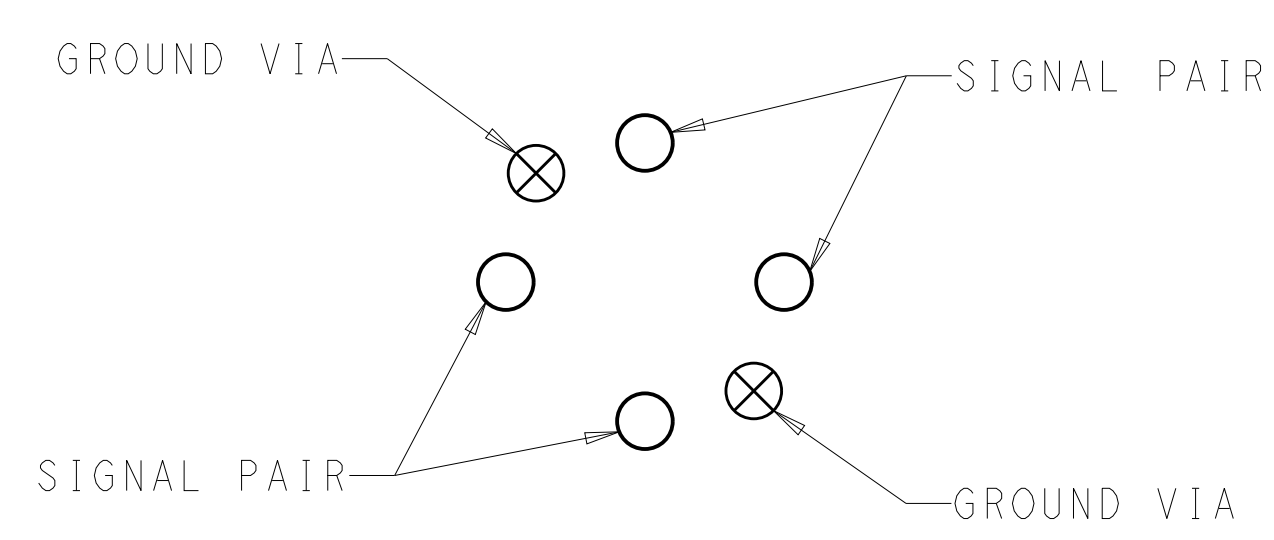
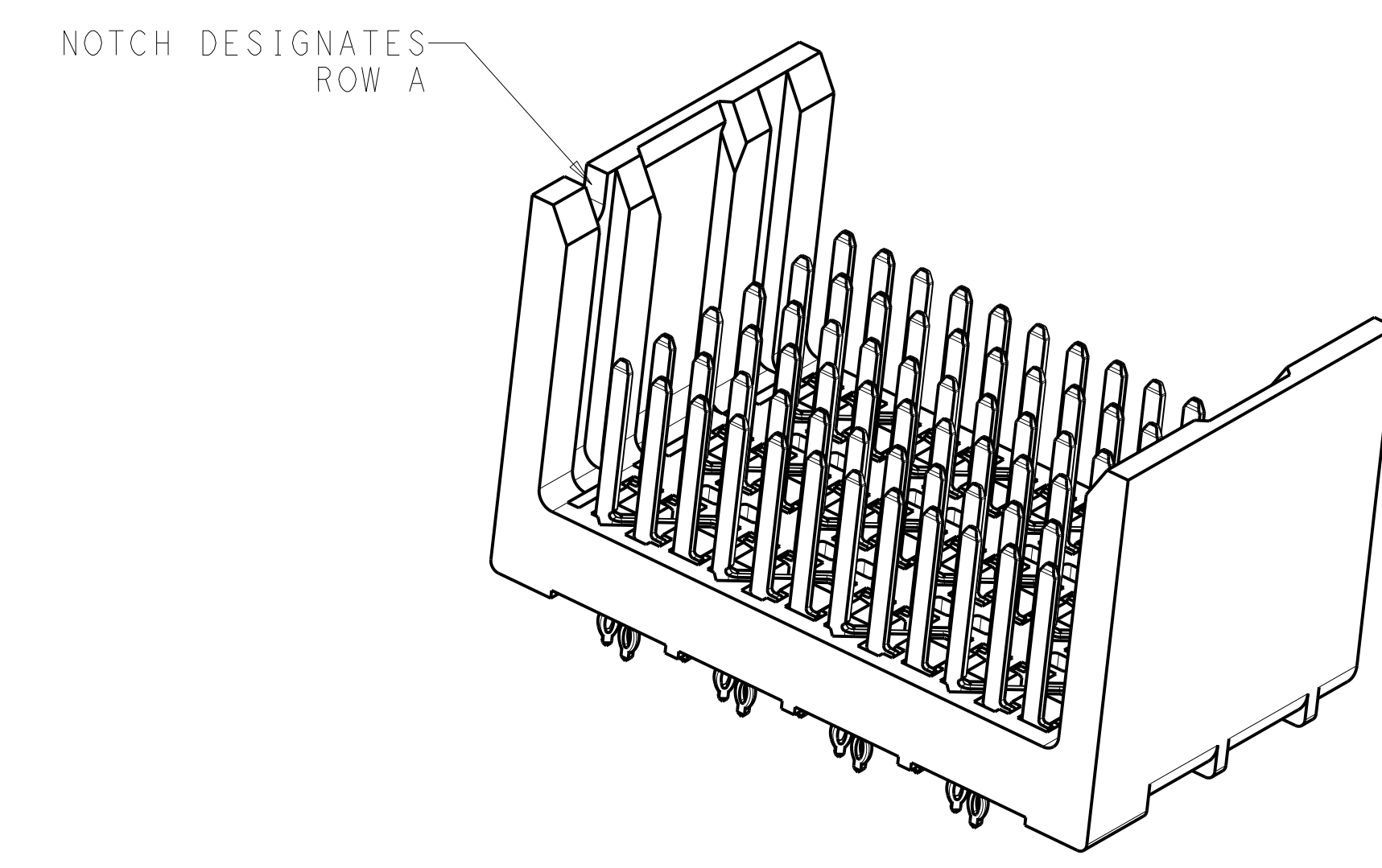
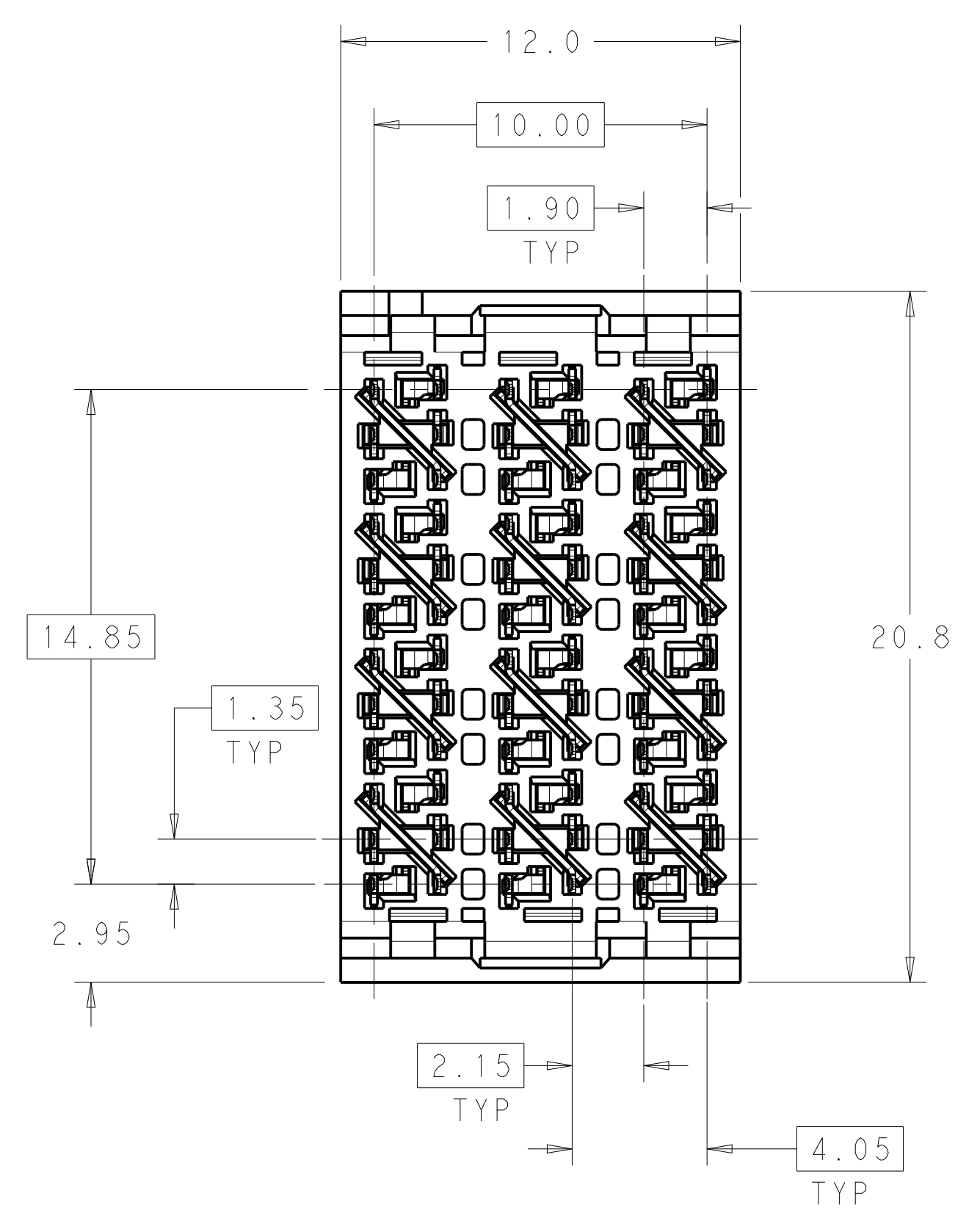


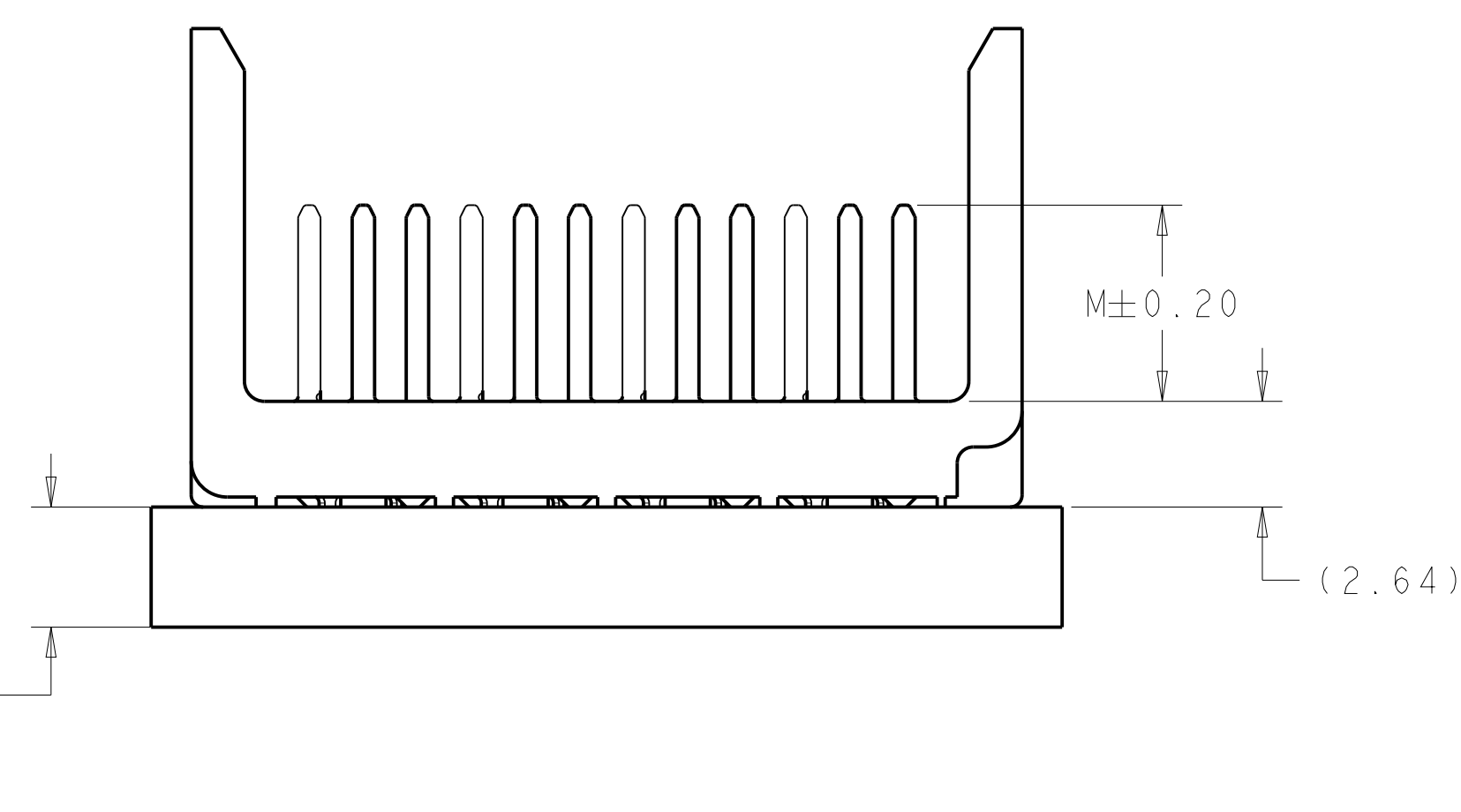
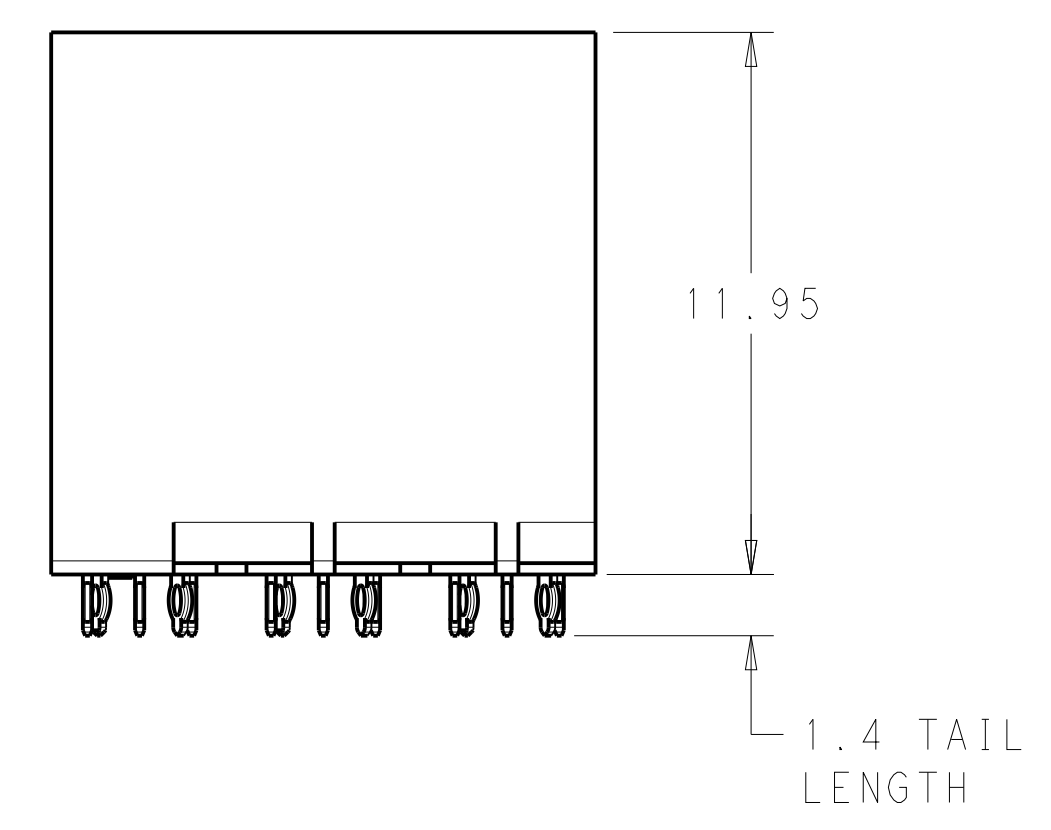
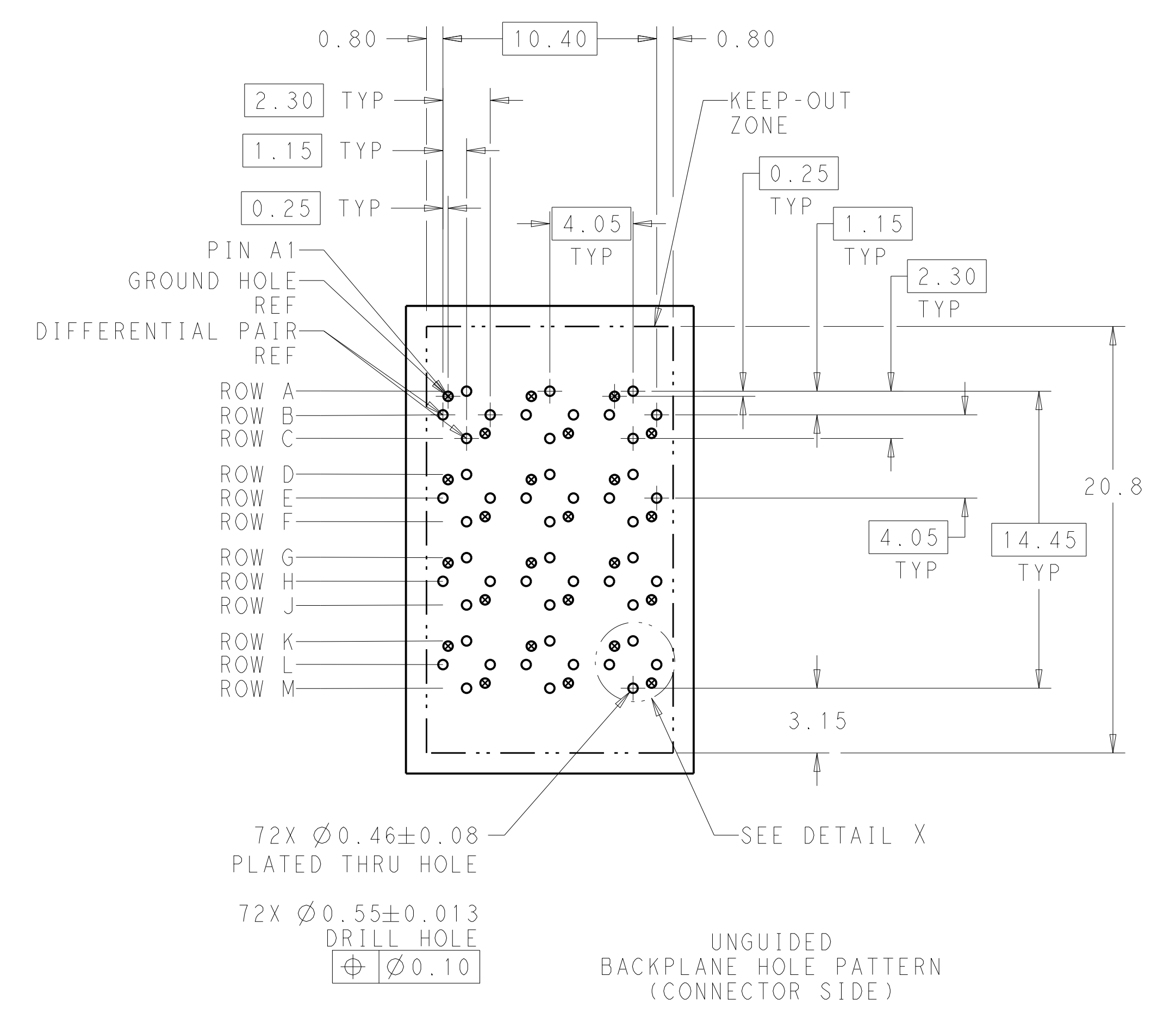
REVISIONS				
P.	LTM	DESCRIPTION	DATE	APVD
B		REVISED PER ECO-14-013271	06SEP2014	AP DD



DETAIL X
SCALE 16:1

△ MATERIAL:
HOUSING: LCP, GLASS FILLED, UL94V-0.
TERMINALS: HIGH PERFORMANCE COPPER ALLOY.

△ FINISH:
30μ" MIN GOLD IN CONTACT AREA. SELECTIVE TIN
ON PCB TAILS, NICKEL OVERALL.



REFER TO WWW.TE.COM
FOR PRODUCT AVAILABILITY

△	5.5	2132605-2
△	4.9	2132605-1
FINISH	DIM M	PART NUMBER

THIS DRAWING IS A CONTROLLED DOCUMENT.		DWN: KIRAN HOLAL 10APR2013	NAME: IMPACT, ORTHOGONAL, 4 PAIR, 6 COLUMN HEADER, UNGUIDED, OPEN END WALL SIGNAL MODULE, 0.46 PTH
DIMENSIONS: mm		CHK: D. DIXON 10APR2013	PRODUCT SPEC: -
TOLERANCES UNLESS OTHERWISE SPECIFIED:		APVD: D. DIXON 10APR2013	APPLICATION SPEC: -
0 PLC	±	SIZE: -	RESTRICTED TO: -
1 PLC	±0.25	WEIGHT: -	SCALE: 6:1
2 PLC	±0.13	Customer Drawing	SHEET 1 OF 1
3 PLC	±		REV B
4 PLC	±		
ANGLES	±		
MATERIAL: △	SEE TABLE		
FINISH: △			