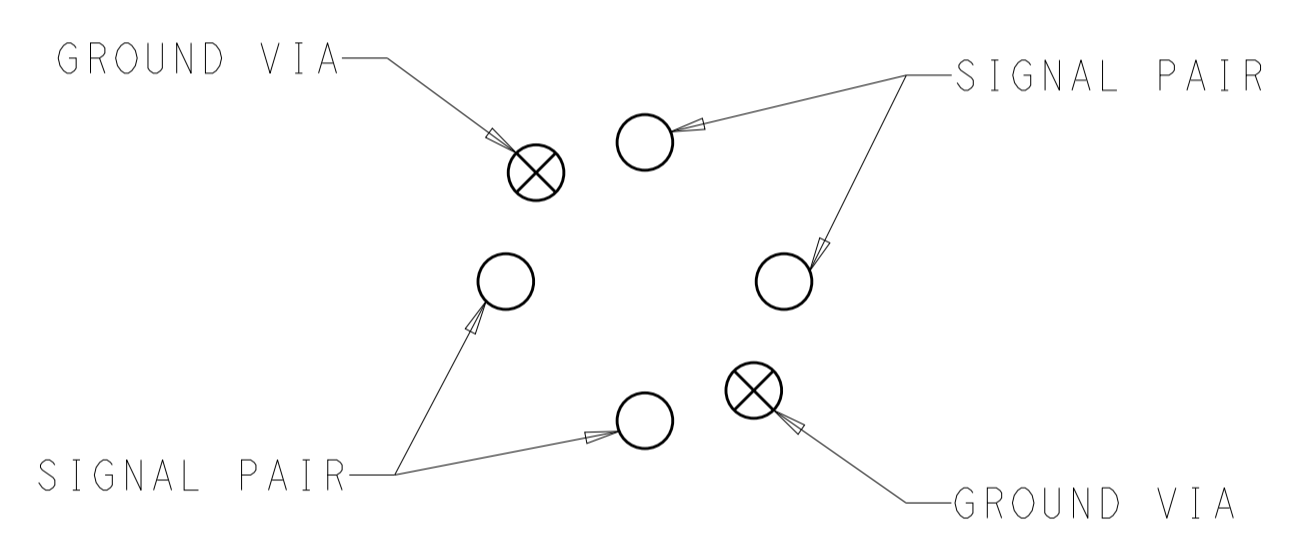
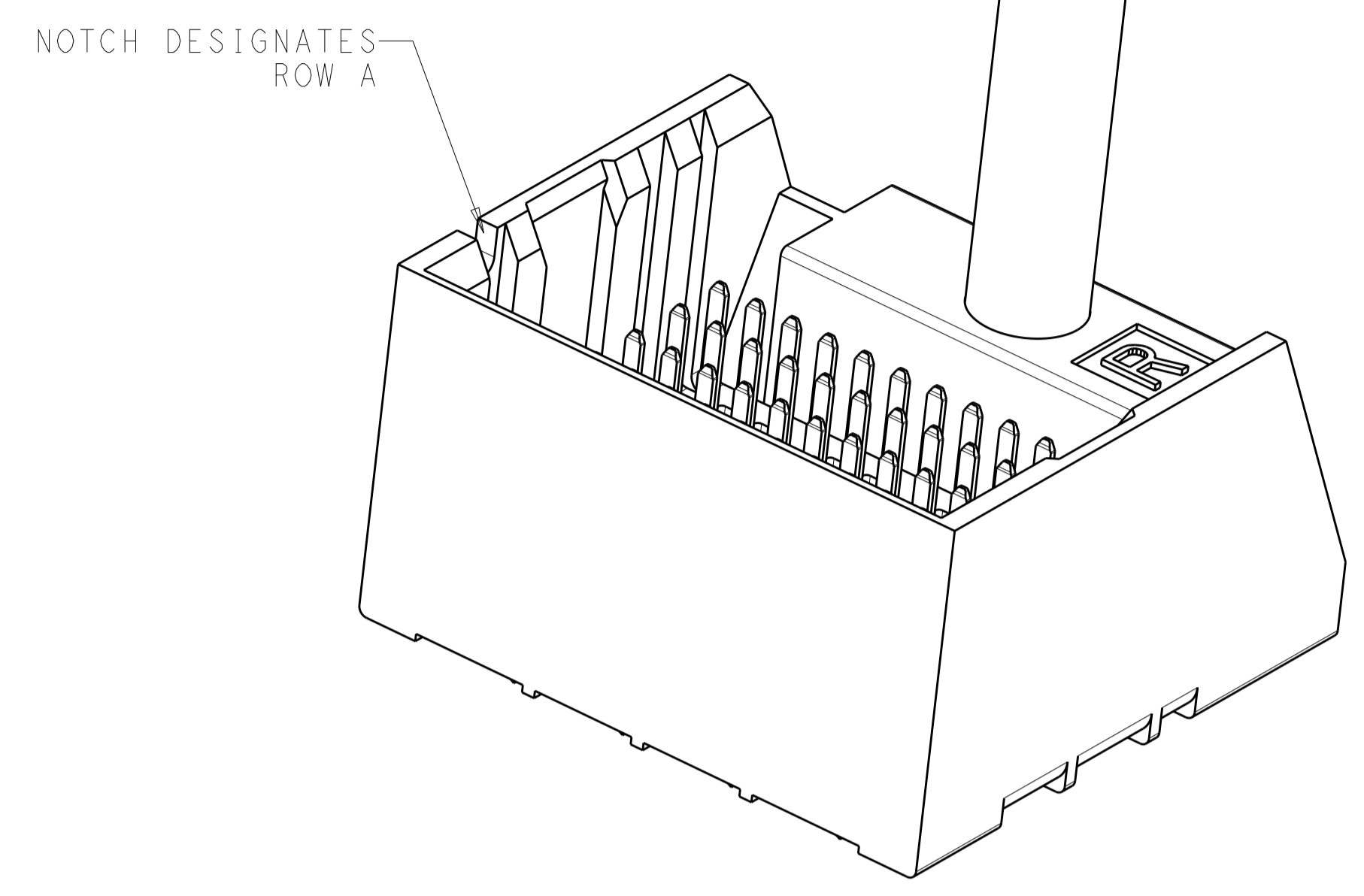
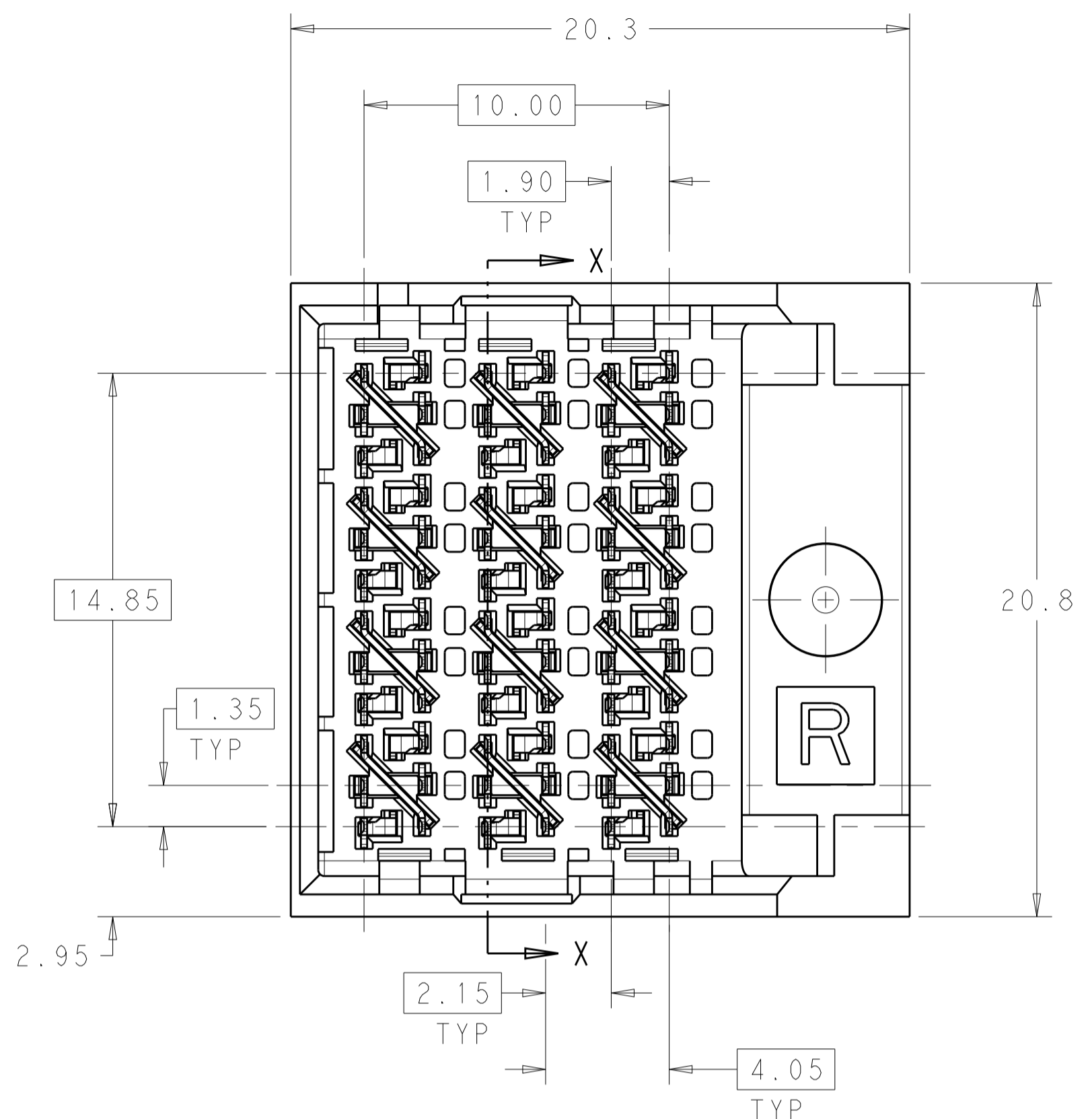
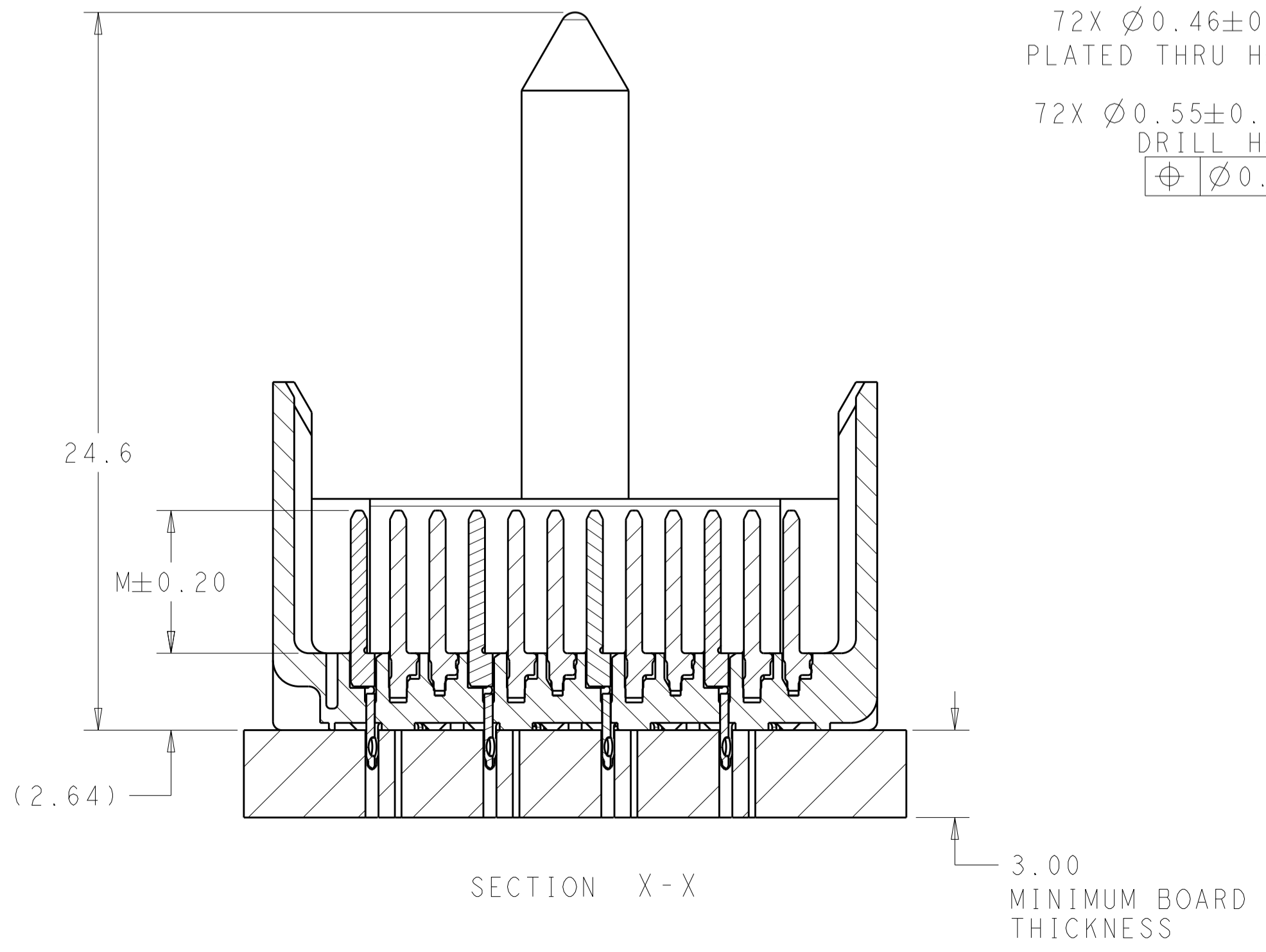
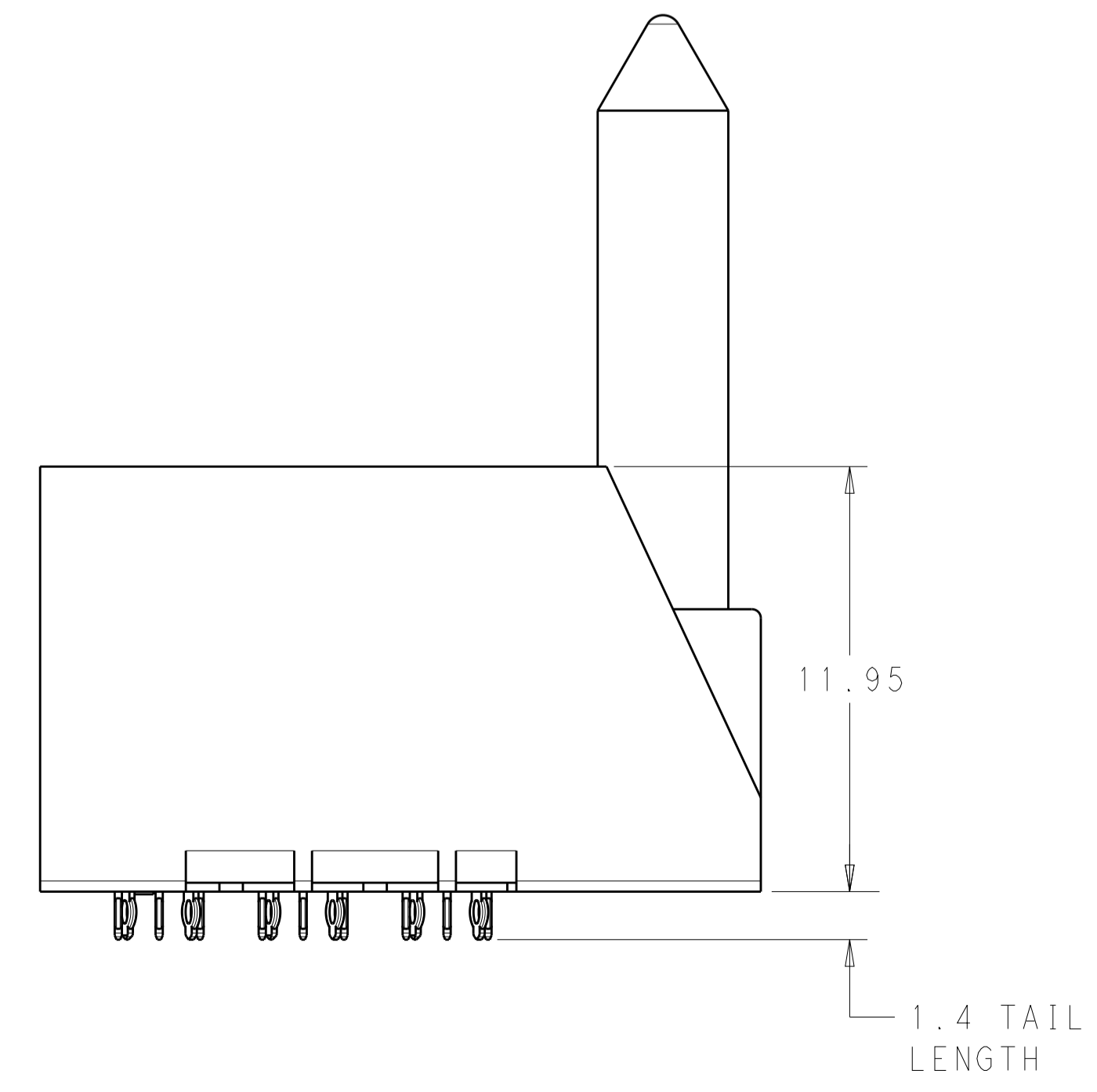
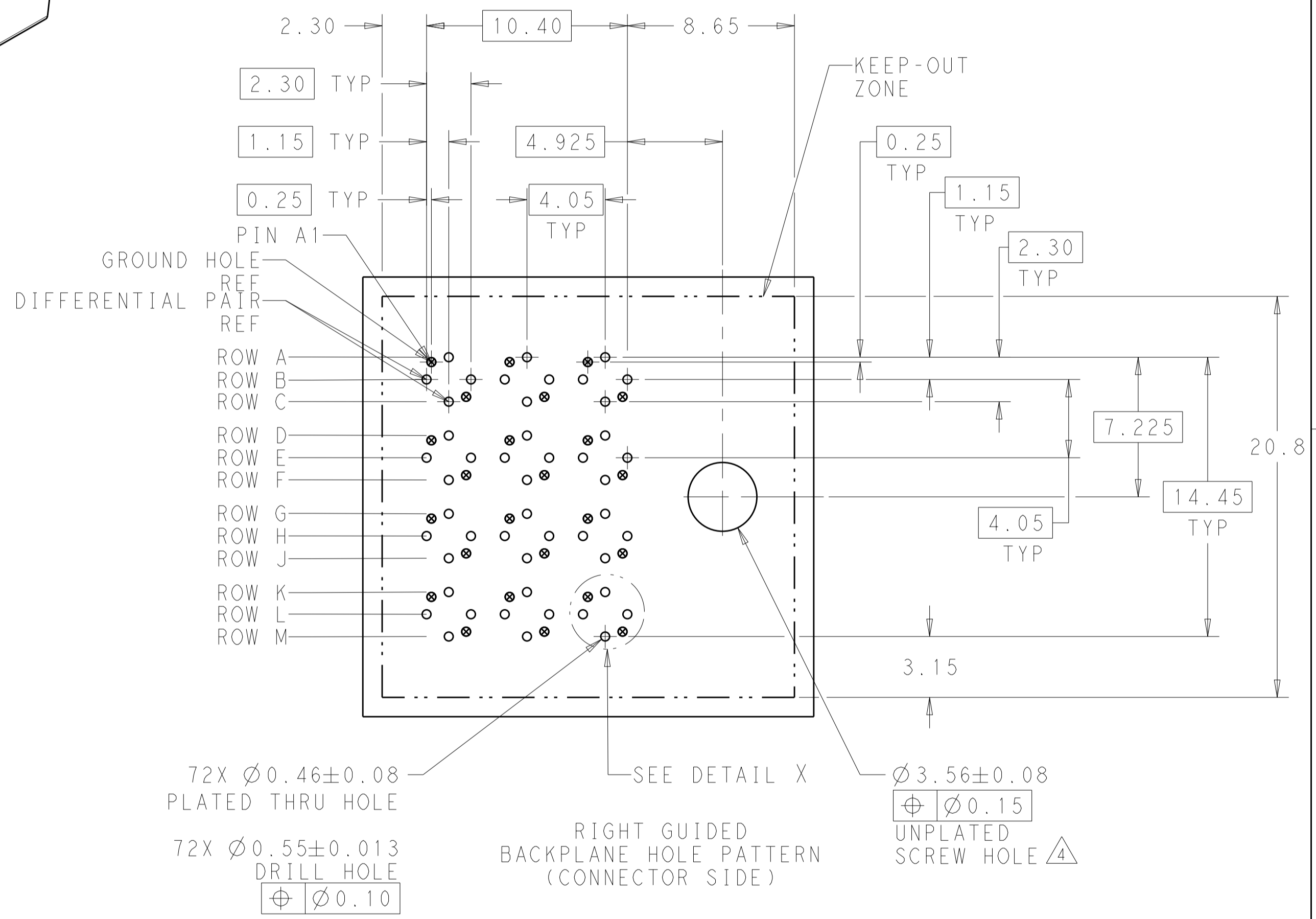


REVISIONS				
P.	LTN.	DESCRIPTION	DATE	APVD.
B1		REVISED PER ECO-15-001489	31JAN2015	AP DD



- ⚠ MATERIAL:  
HOUSING: LCP, GLASS FILLED, UL94V-0.  
TERMINALS: HIGH PERFORMANCE COPPER ALLOY.
- ⚠ FINISH:  
30μ" MIN GOLD IN CONTACT AREA. SELECTIVE TIN ON PCB TAILS, NICKEL OVERALL.
- 3. SCREWS PACKAGED IN END OF PACKAGING TUBE.
- ⚠ FOR GROUNDED GUIDE PIN USE Ø3.56±0.08 PTH, Ø3.66 DRILL, AND Ø6.5 PAD.



REFER TO WWW.TE.COM FOR PRODUCT AVAILABILITY

FINISH	5.5	2132604-2
DIM M	4.9	2132604-1
PART NUMBER		

THIS DRAWING IS A CONTROLLED DOCUMENT.		OWN: KIRAN HOLAL 10APR2013	NAME: IMPACT, ORTHOGONAL, 4 PAIR, 6 COLUMN HEADER, RIGHT GUIDED, LEFT END WALL SIGNAL MODULE, 0.46 PTH
DIMENSIONS: mm		CHK: D. DIXON 10APR2013	PRODUCT SPEC: -
TOLERANCES UNLESS OTHERWISE SPECIFIED:		APVD: D. DIXON 10APR2013	APPLICATION SPEC: -
0 PLC	±		SIZE: -
1 PLC	±0.25		WEIGHT: -
2 PLC	±0.13		SCALE: 6:1
3 PLC	±		SHEET: 1 OF 1
4 PLC	±		REV: B1
ANGLES	±		
MATERIAL:	SEE TABLE	RESTRICTED TO: -	
FINISH:	SEE TABLE	Customer Drawing	