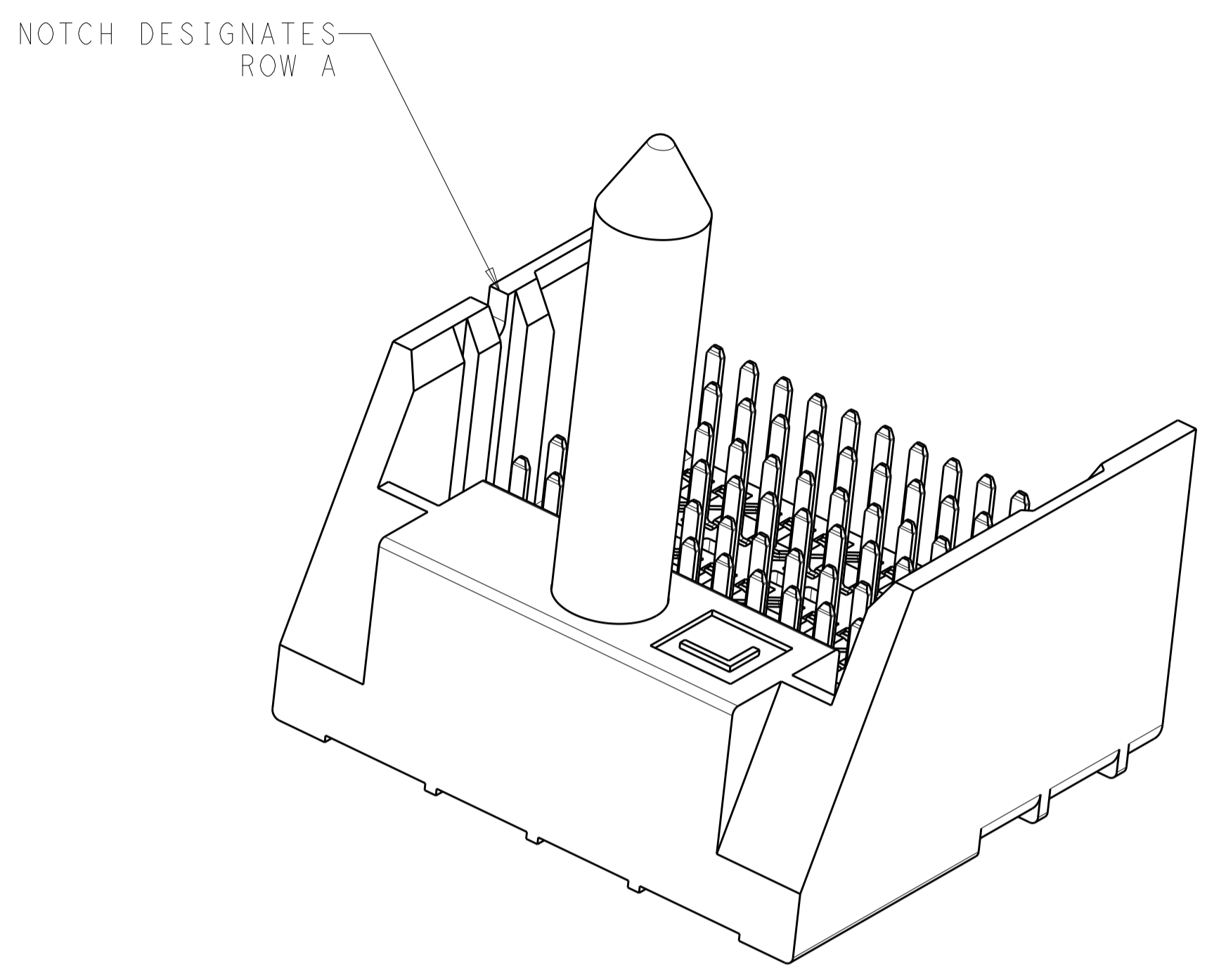
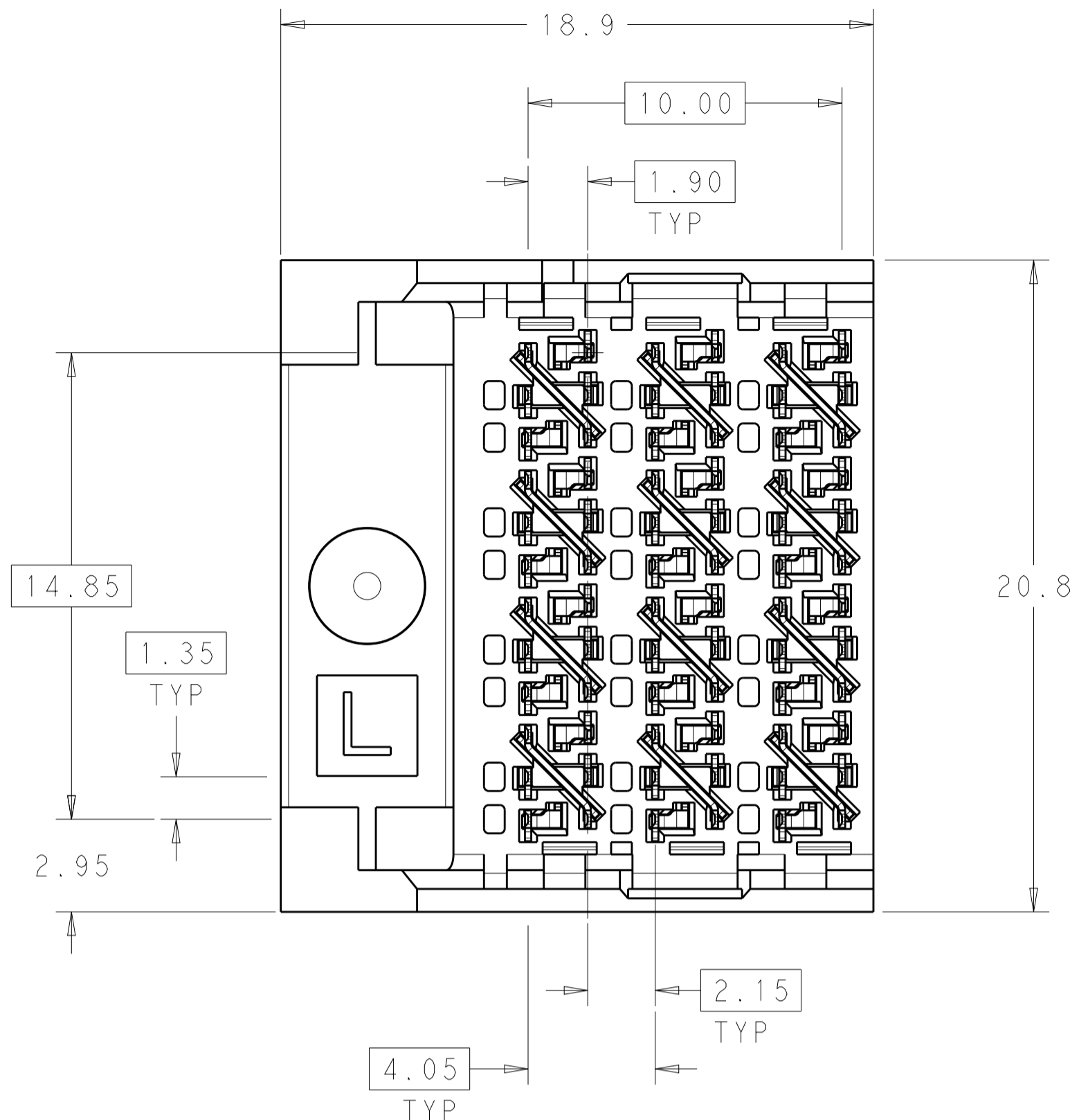
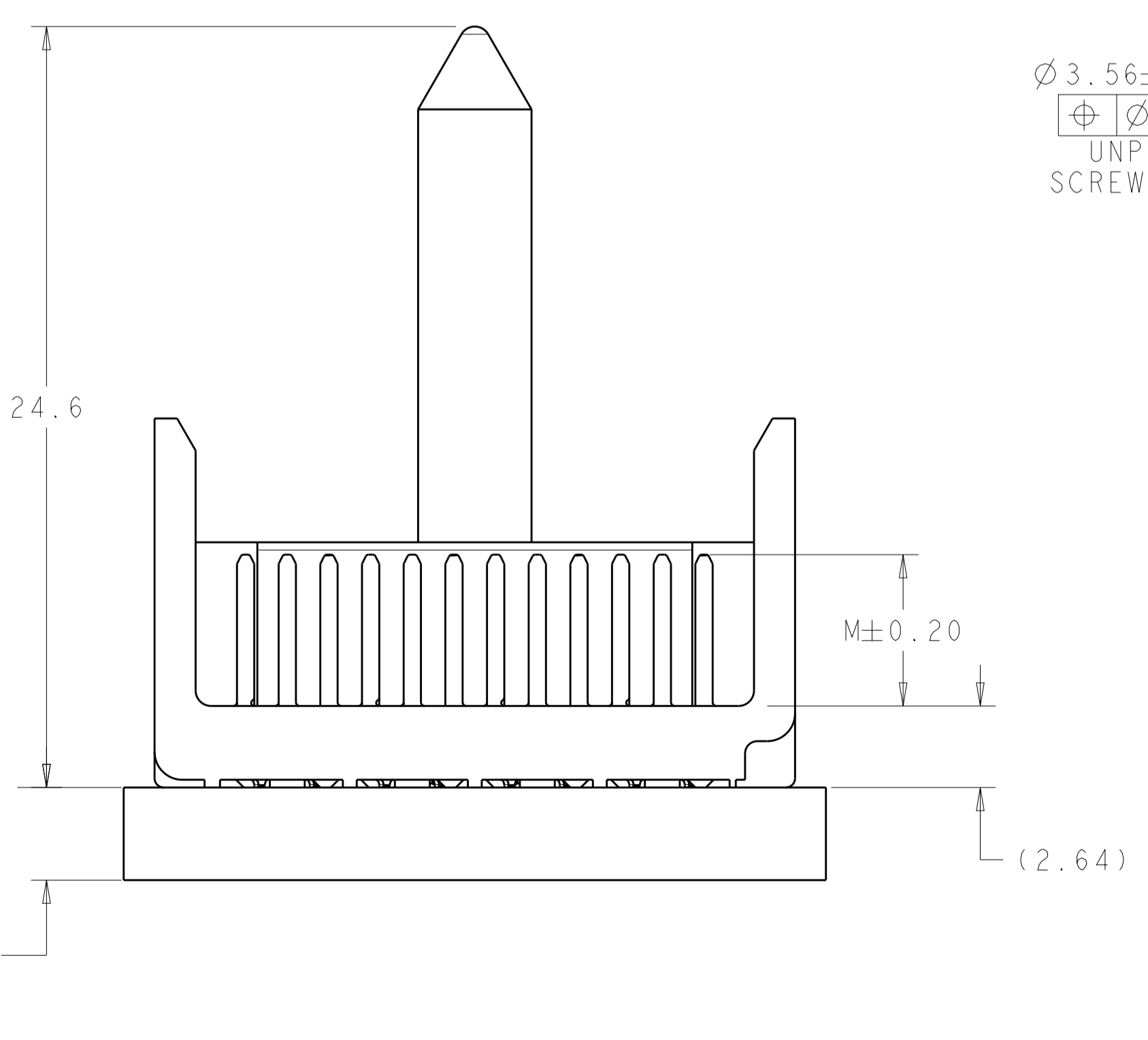
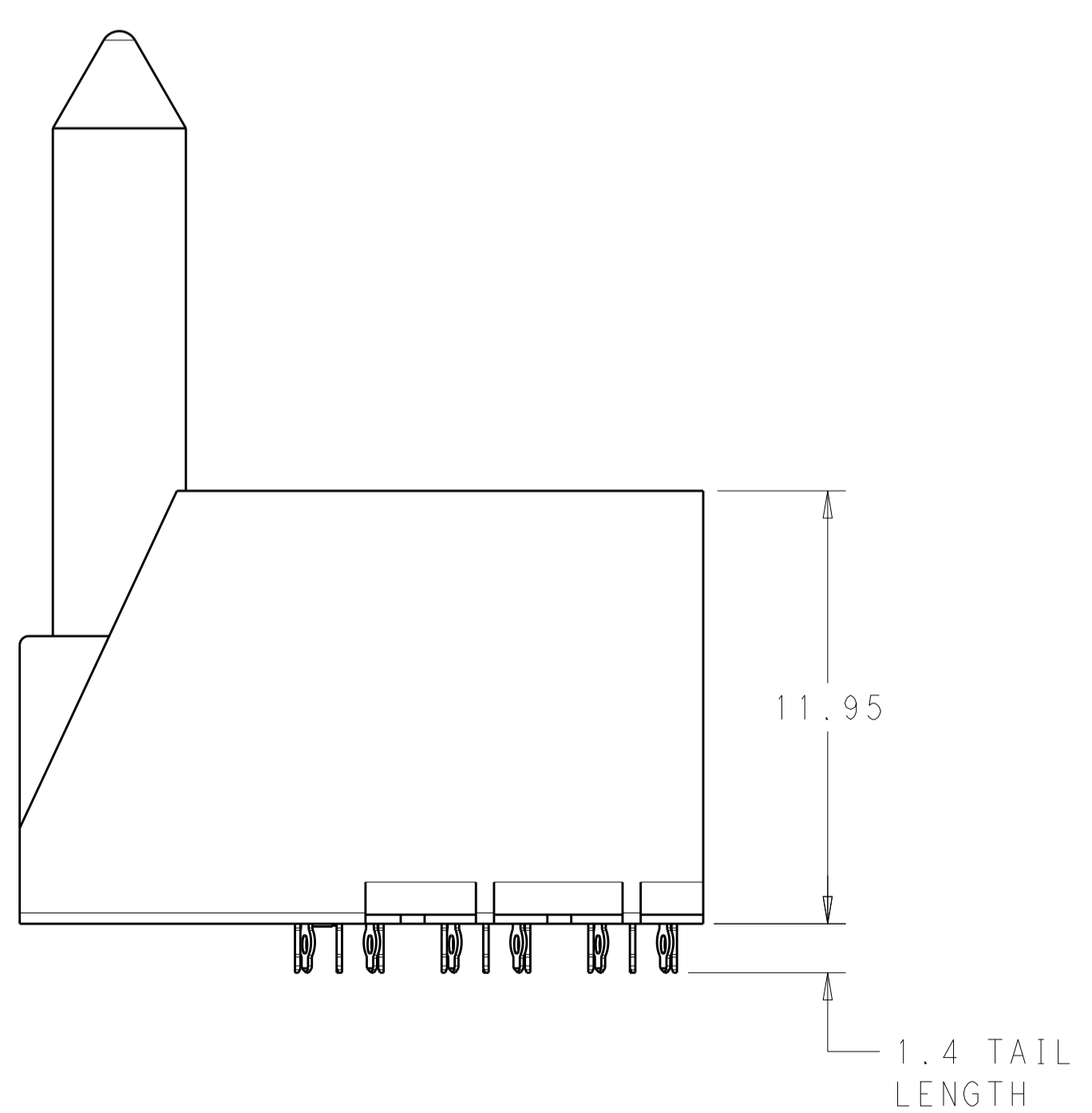
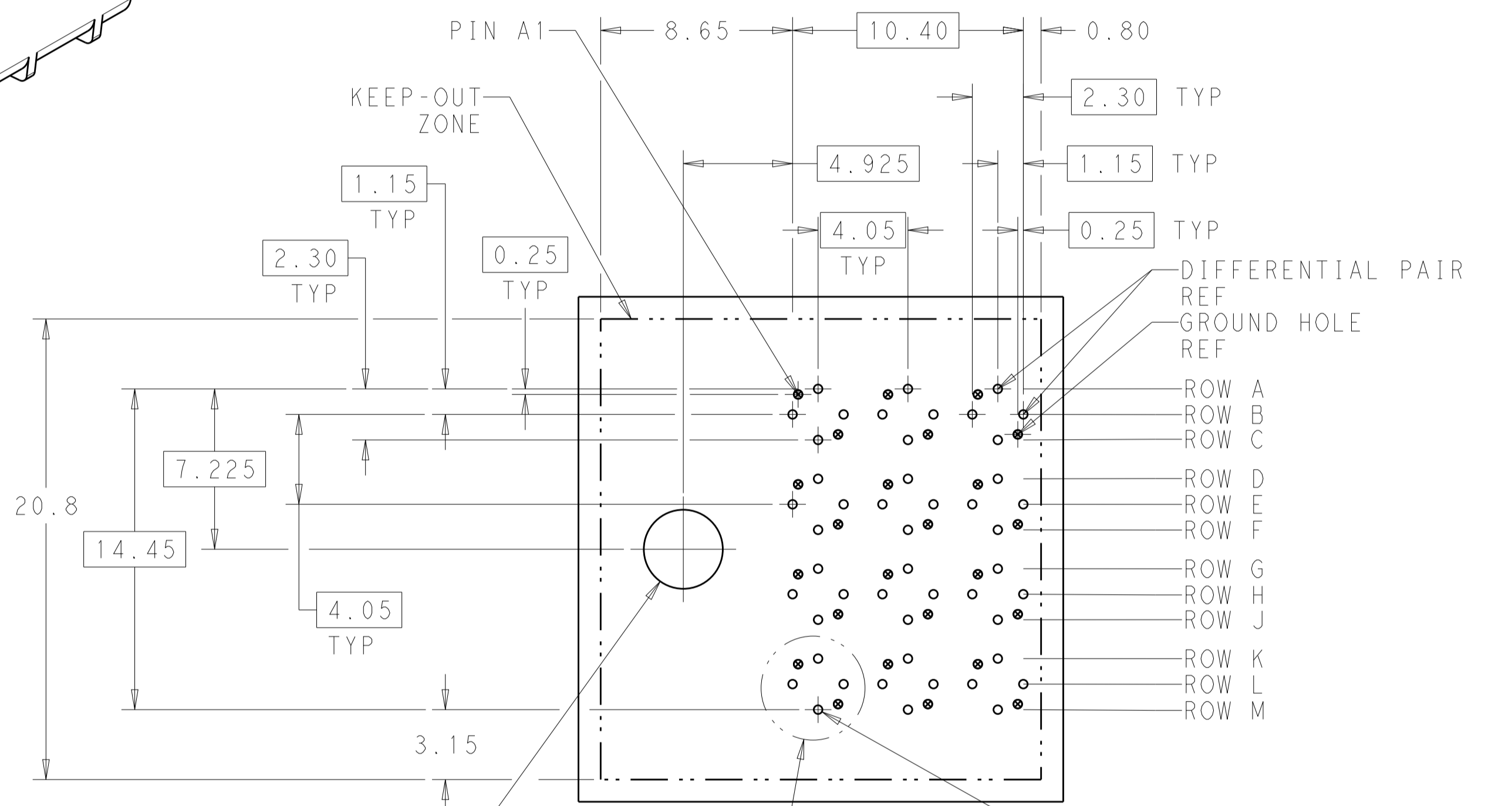
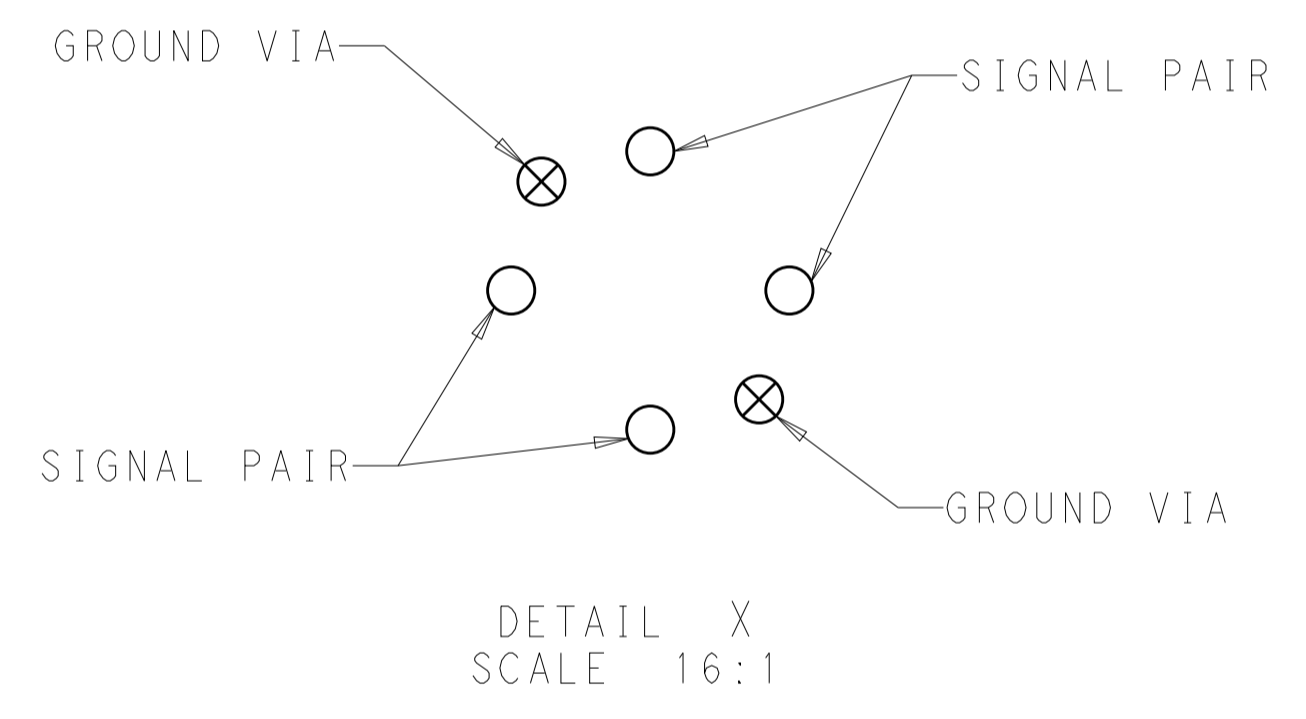


REVISIONS				
P.	LTN	DESCRIPTION	DATE	OWN APVD
C1		REVISED PER ECO-15-001489	31JAN2015	AP DD



- 1 MATERIAL:
HOUSING: LCP, GLASS FILLED, UL94V-0.
TERMINALS: HIGH PERFORMANCE COPPER ALLOY.
- 2 FINISH:
30µ" MIN GOLD IN CONTACT AREA. SELECTIVE TIN ON PCB TAILS, NICKEL OVERALL.
- 3. SCREWS PACKAGED IN END OF PACKAGING TUBE.
- 4 FOR GROUNDED GUIDE PIN USE $\varnothing 3.56 \pm 0.08$ PTH, $\varnothing 3.66$ DRILL, AND $\varnothing 6.5$ PAD.



$\varnothing 3.56 \pm 0.08$
 $\varnothing 0.15$
 UNPLATED SCREW HOLE 4

LEFT GUIDED BACKPLANE HOLE PATTERN (CONNECTOR SIDE)

72X $\varnothing 0.39 \pm 0.08$ PLATED THRU HOLE
 72X $\varnothing 0.48 \pm 0.013$ DRILL HOLE
 $\varnothing 0.10$

REFER TO WWW.TE.COM FOR PRODUCT AVAILABILITY

FINISH	5.5	2132593-2
DIM M	4.9	2132593-1
PART NUMBER		

THIS DRAWING IS A CONTROLLED DOCUMENT.		OWN: KIRAN HOLAL 07MAR2013	TE Connectivity
DIMENSIONS: mm		CHK: D. DIXON 07MAR2013	
TOLERANCES UNLESS OTHERWISE SPECIFIED:		APVD: D. DIXON 07MAR2013	NAME: IMPACT, ORTHOGONAL, 4 PAIR, 6 COLUMN HEADER, LEFT GUIDED, OPEN END WALL SIGNAL MODULE, 0.39 PTH
0 PLC ± 1 PLC ±0.25 2 PLC ±0.13 3 PLC ± 4 PLC ± ANGLES ±		PRODUCT SPEC	
MATERIAL: SEE TABLE		APPLICATION SPEC	RESTRICTED TO
FINISH: SEE TABLE		WEIGHT	SIZE: CAGE CODE DRAWING NO
		CUSTOMER DRAWING	A100779C=2132593
		SCALE: 6:1	SHEET 1 OF 1 REV: C1