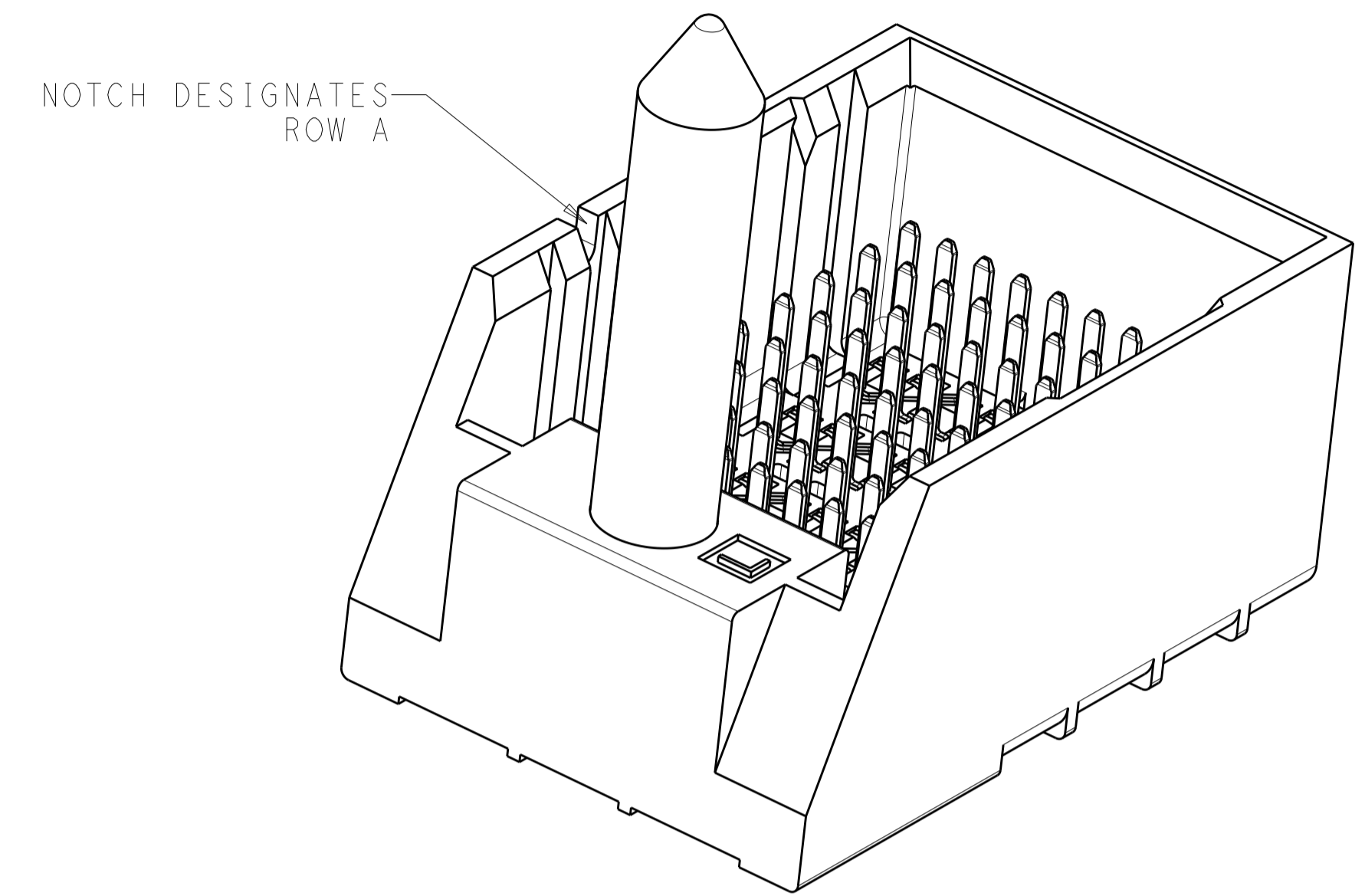
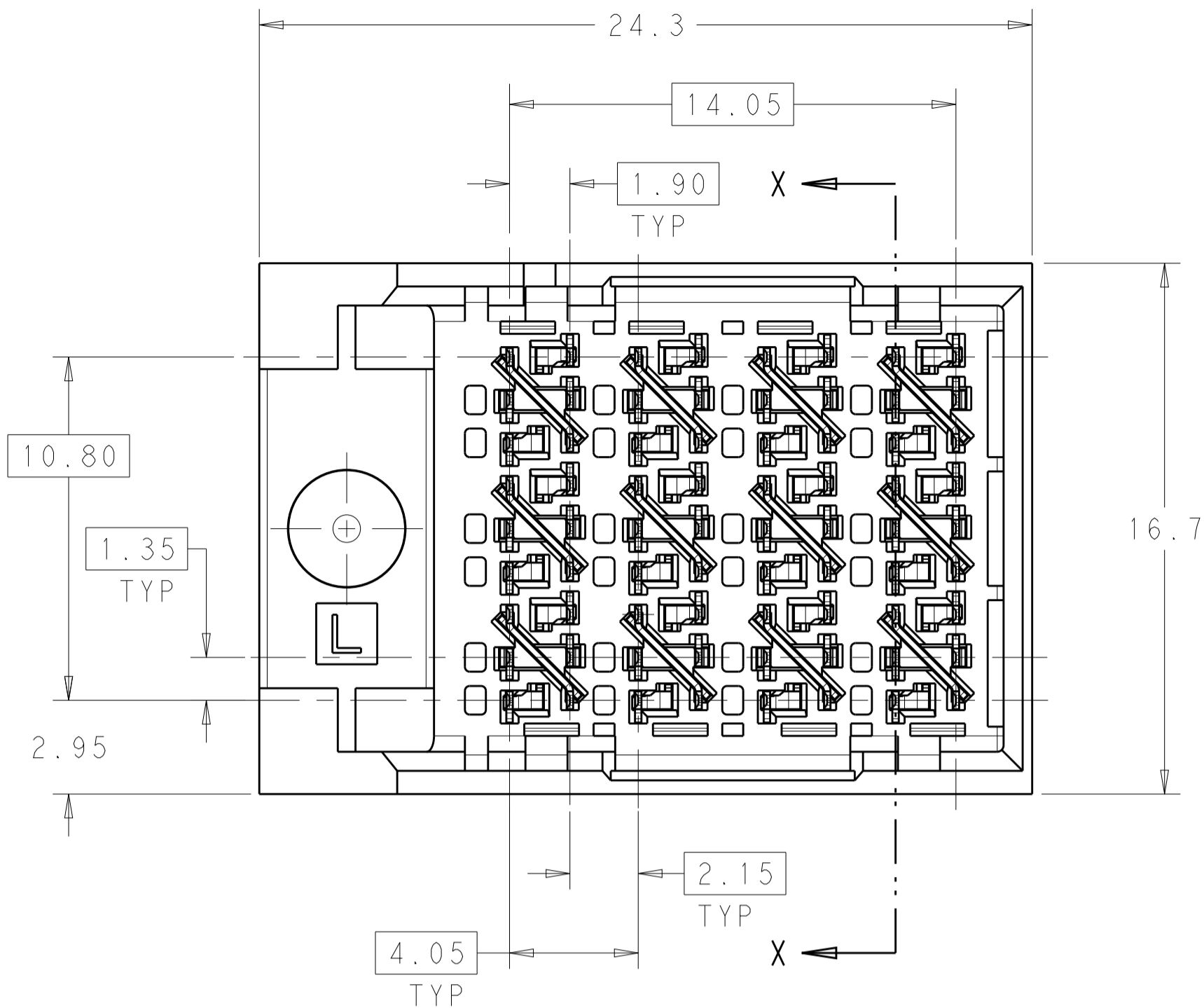
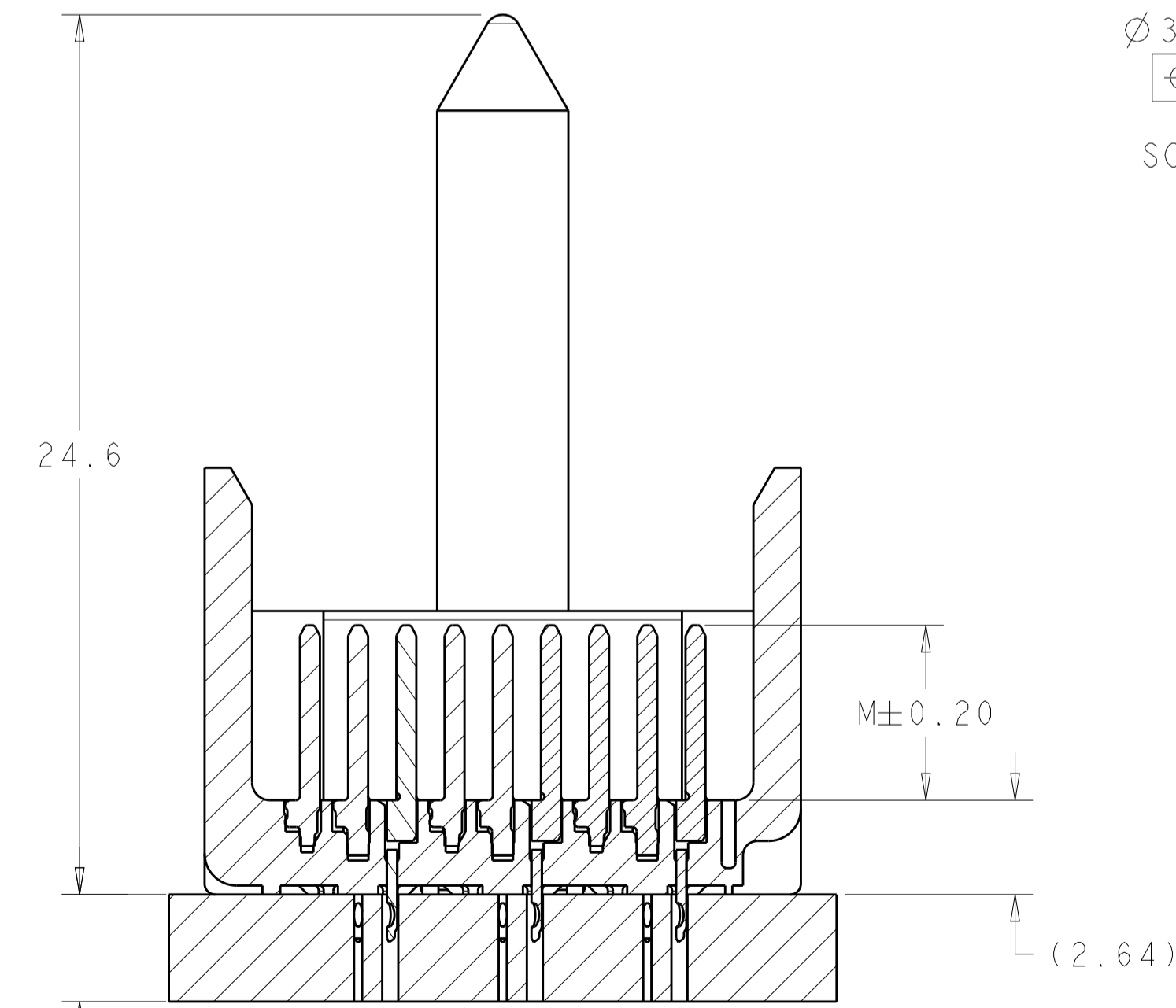
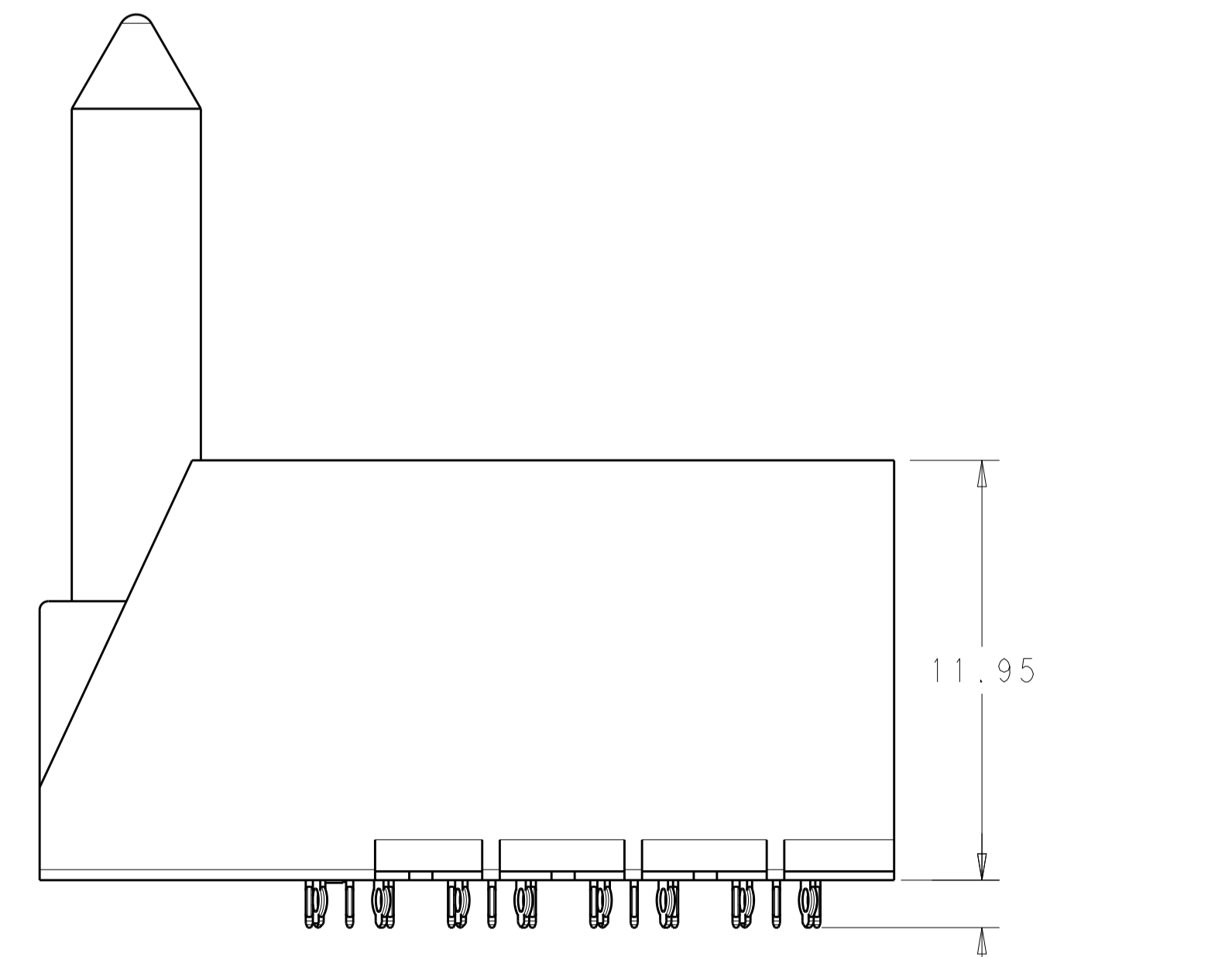
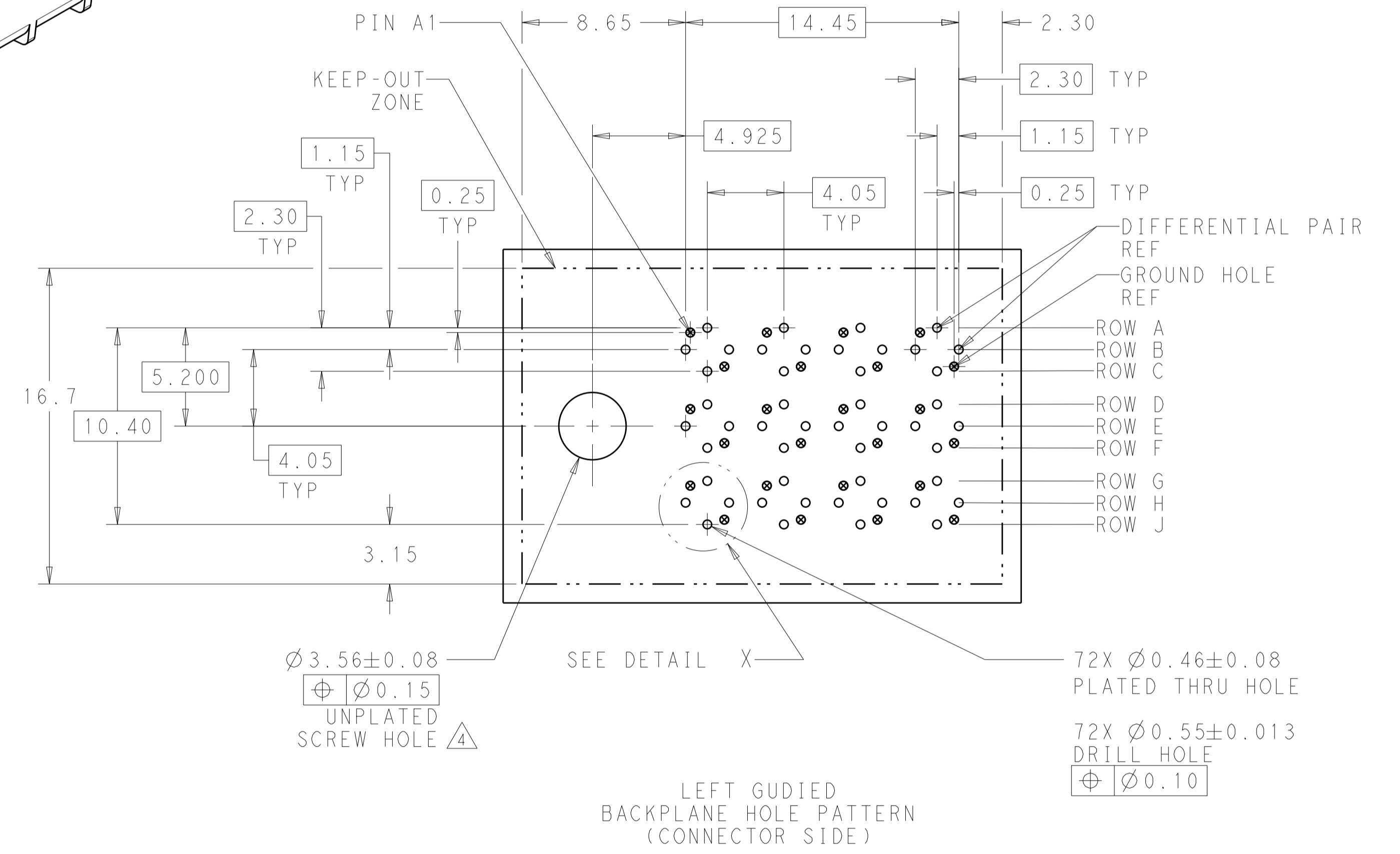
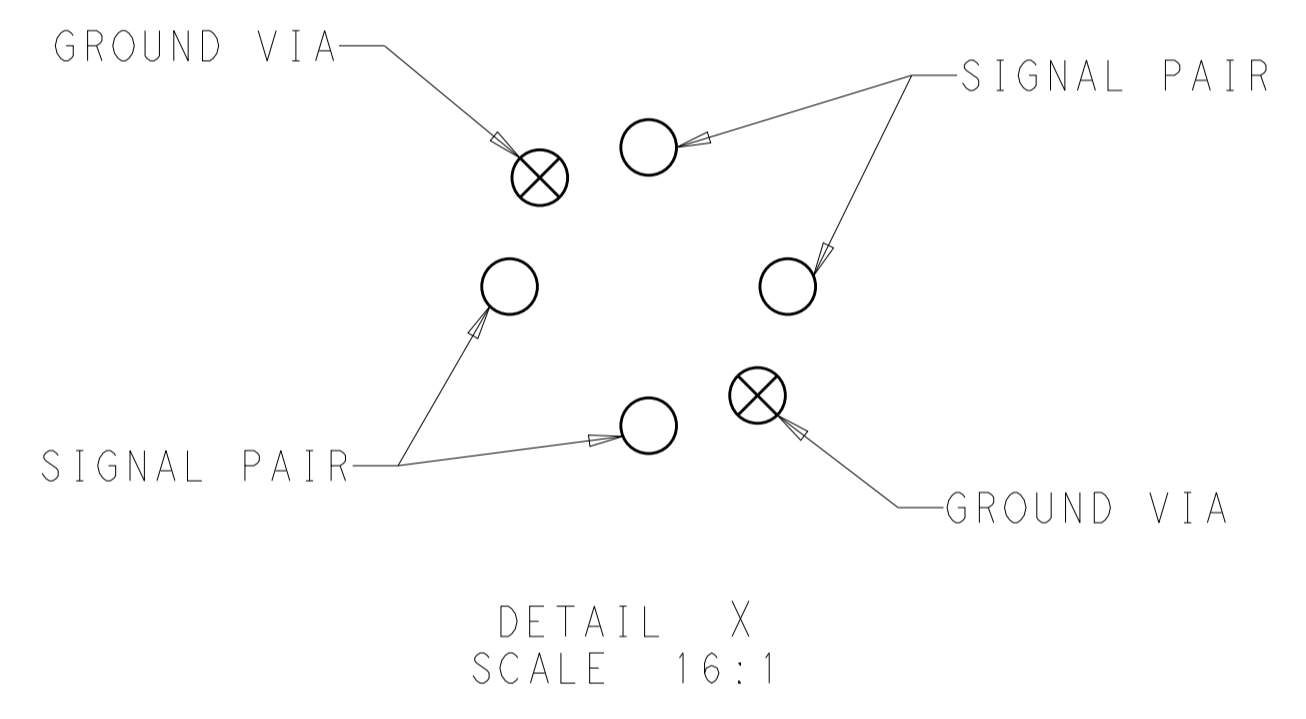


LOC		DIST		REVISIONS			
AD	00	P	LTM	DESCRIPTION	DATE	DWN	APVD
		C1		REVISED PER ECO-15-001489	31JAN2015	AP	DD



- 1 MATERIAL:  
HOUSING: LCP, GLASS FILLED, UL94V-0.  
TERMINALS: HIGH PERFORMANCE COPPER ALLOY.
- 2 FINISH:  
30µ" MIN GOLD IN CONTACT AREA. SELECTIVE TIN ON PCB TAILS, NICKEL OVERALL.
- 3. SCREWS PACKAGED IN END OF PACKAGING TUBE.
- 4 FOR GROUNDED GUIDE PIN USE Ø3.56±0.08 PTH, Ø3.66 DRILL, AND Ø6.5 PAD.



REFER TO WWW.TE.COM FOR PRODUCT AVAILABILITY

2	5.5	2132586-2
2	4.9	2132586-1
FINISH	DIM M	PART NUMBER

THIS DRAWING IS A CONTROLLED DOCUMENT. DWN: KIRAN HOLAL, 23APR2013  
 CHK: D. DIXON, 23APR2013  
 APVD: D. DIXON, 23APR2013

TE Connectivity

NAME: IMPACT, ORTHOGONAL, 3 PAIR, 8 COLUMN HEADER, LEFT GUIDED, RIGHT END WALL SIGNAL MODULE, 0.46 PTH

SIZE: A1 00779 C=2132586

Customer Drawing SCALE: 6:1 SHEET 1 OF 1 REV: C1