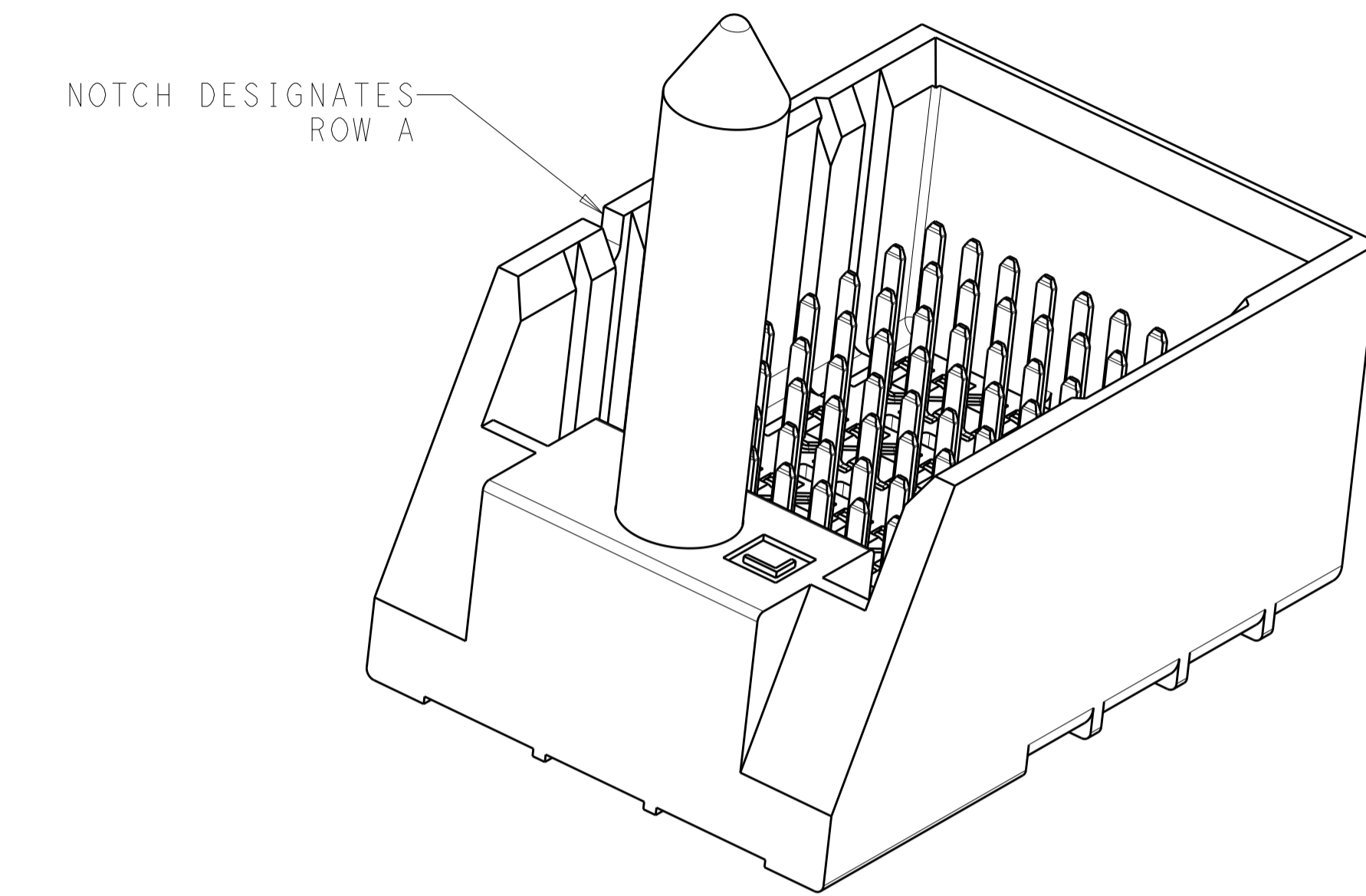
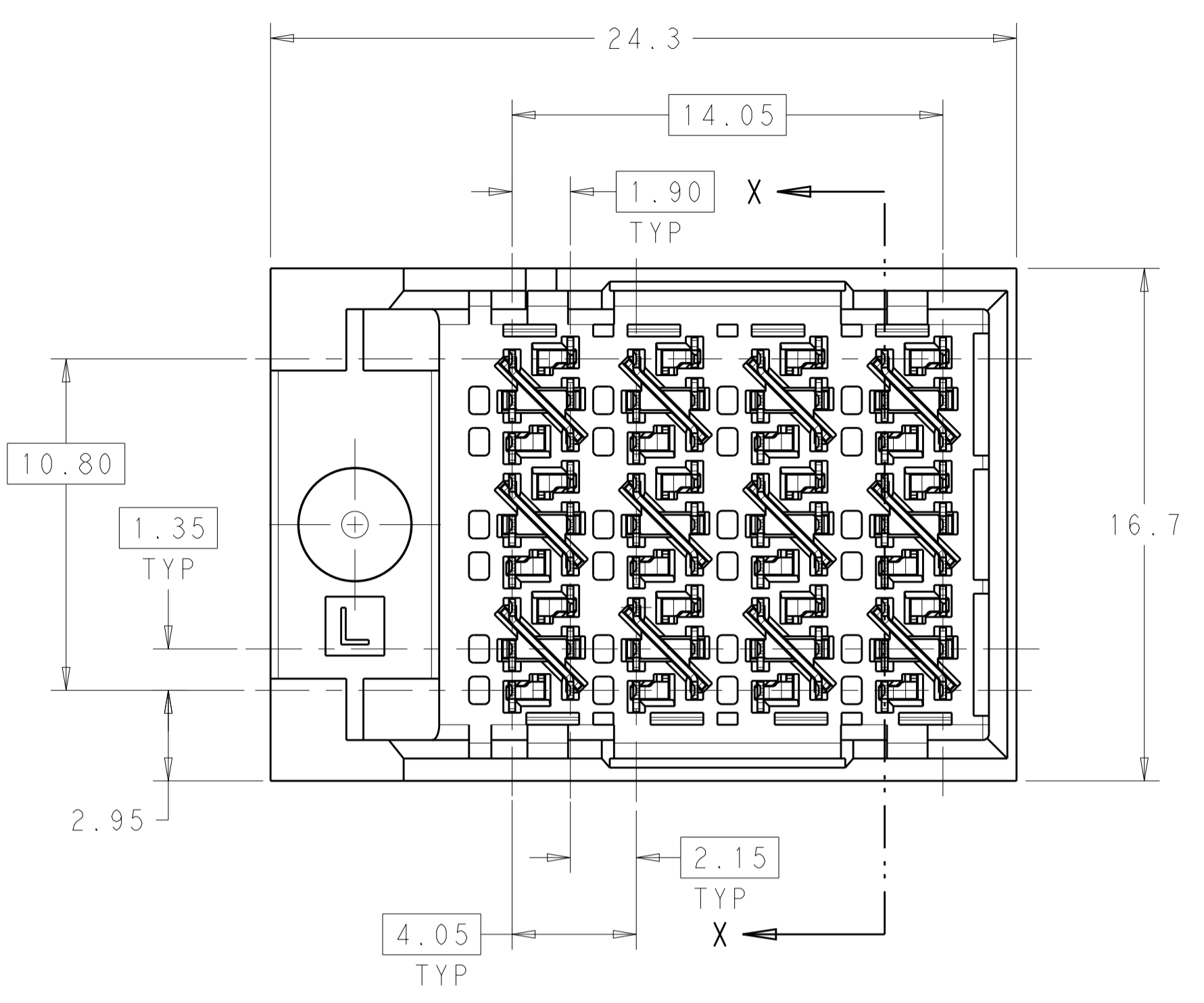
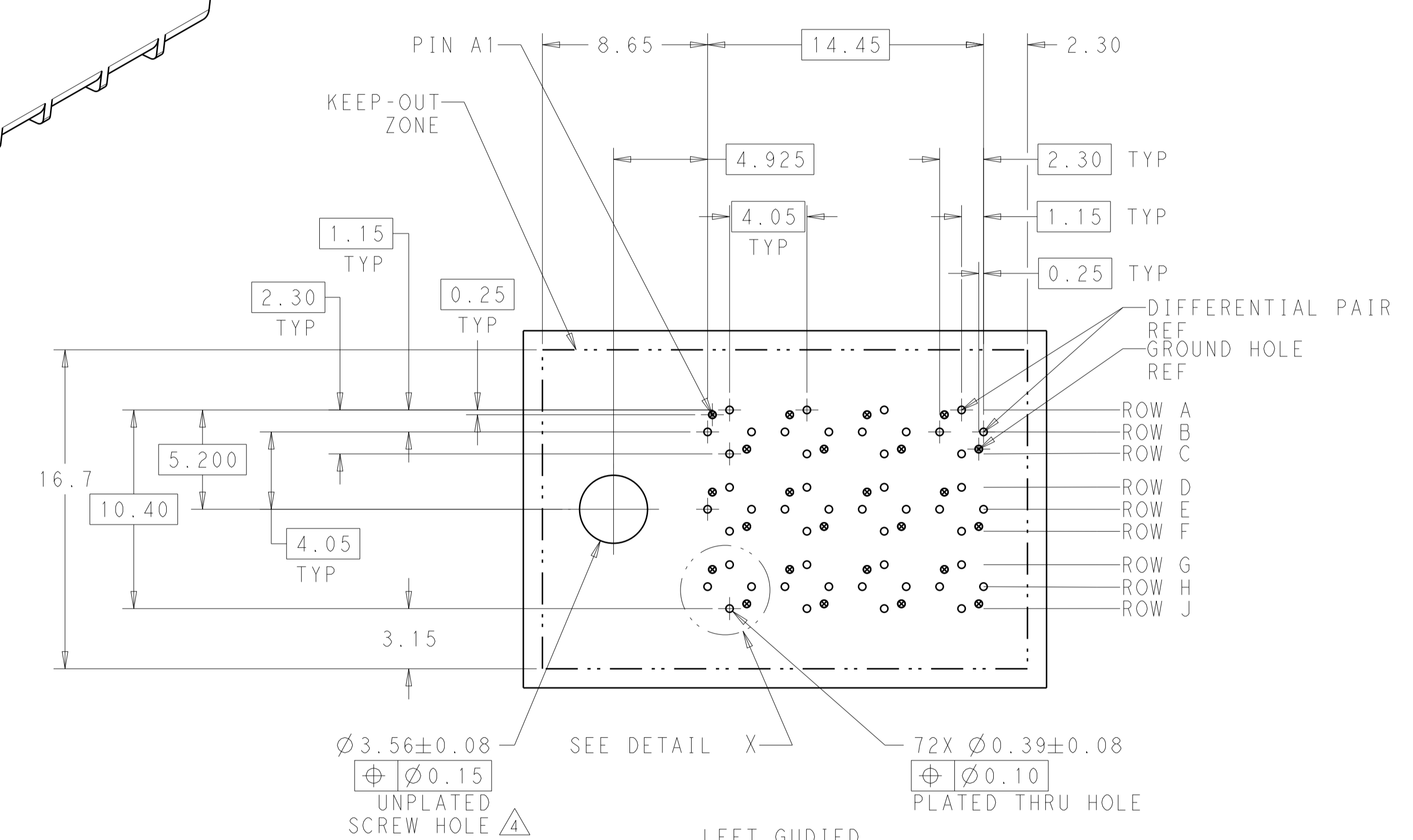
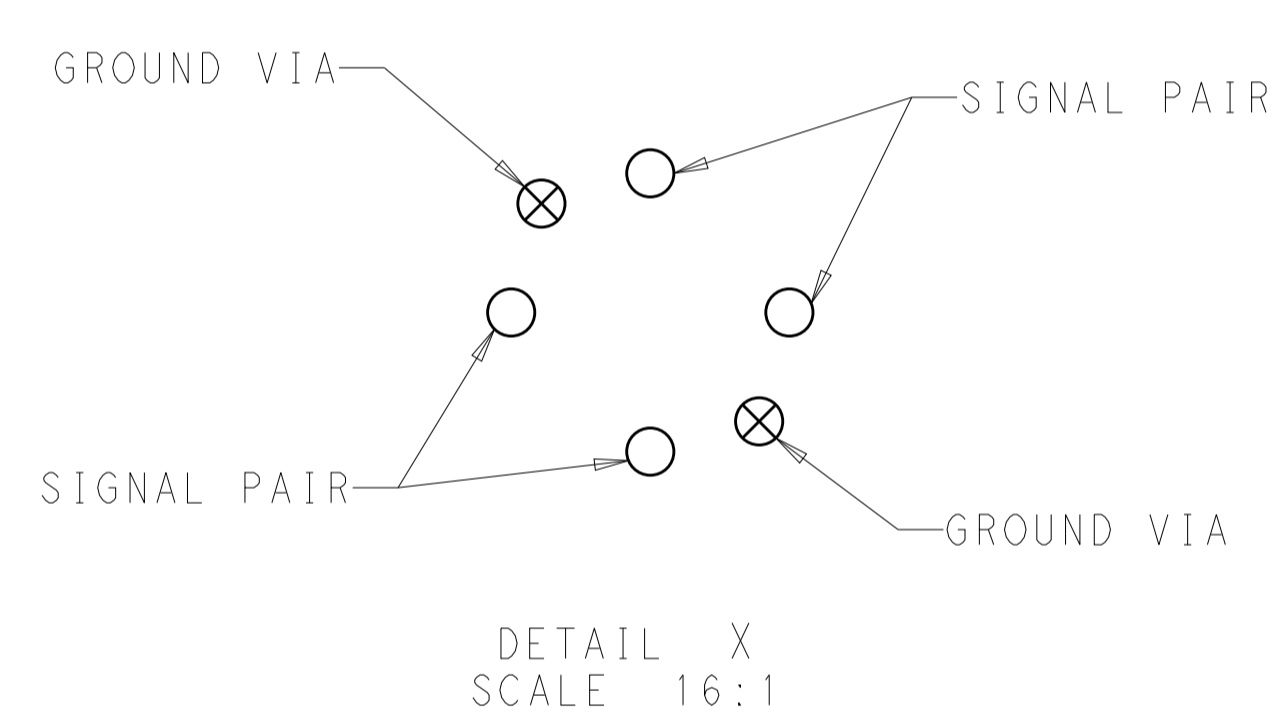


LOC	DIST	REVISIONS			
P	LTN	DESCRIPTION	DATE	DWN	APVD
C1		REVISED PER ECO-15-001499	30JAN2015	AP	DD



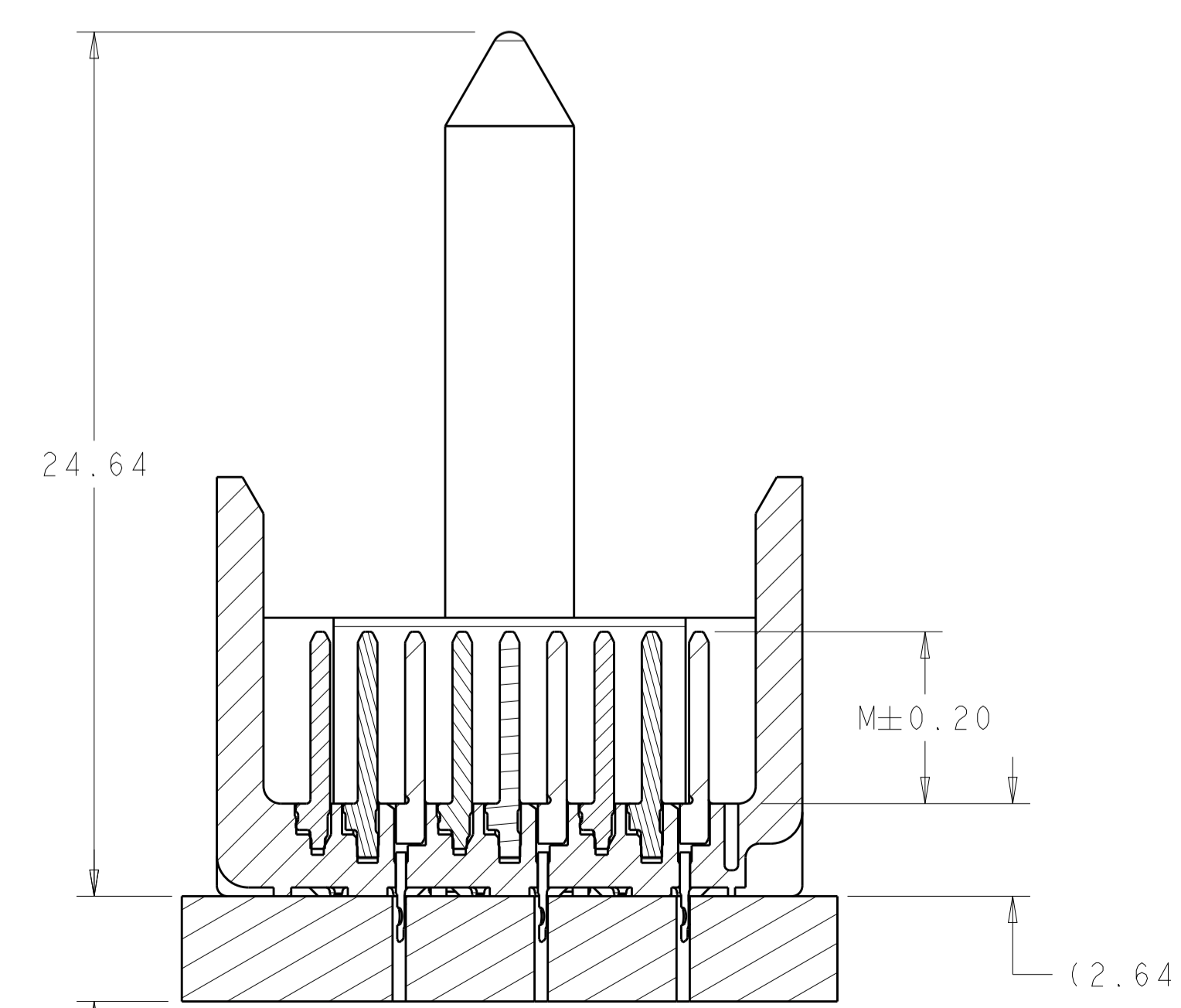
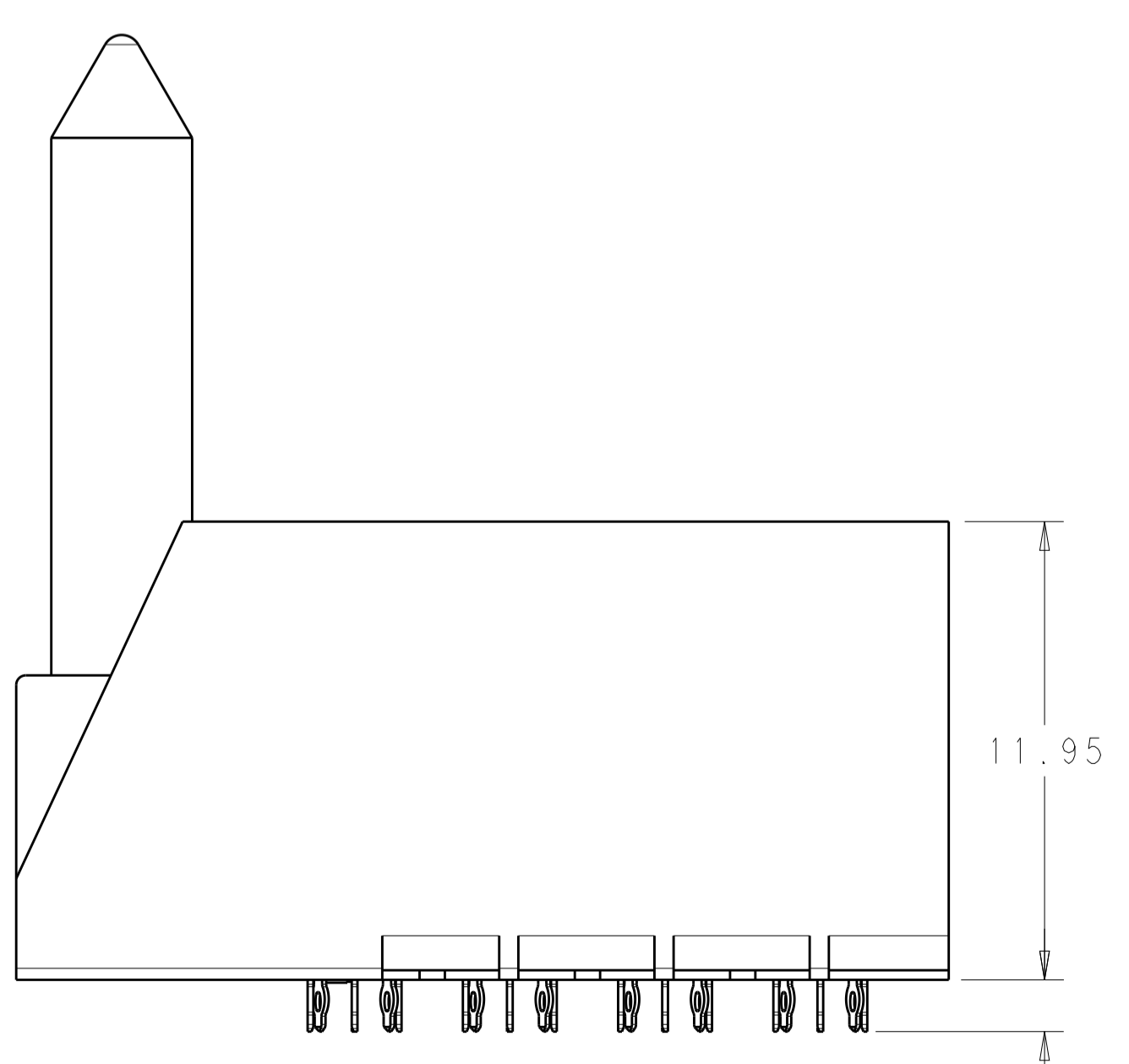
- △ MATERIAL:
HOUSING: LCP, GLASS FILLED, UL94V-0.
TERMINALS: HIGH PERFORMANCE COPPER ALLOY.
- △ FINISH:
30μ" MIN GOLD IN CONTACT AREA. SELECTIVE TIN ON PCB TAILS, NICKEL OVERALL.
- 3. SCREWS PACKAGED IN END OF PACKAGING TUBE.
- △ FOR GROUNDED GUIDE PIN USE $\varnothing 3.56 \pm 0.08$ PTH, $\varnothing 3.66$ DRILL, AND $\varnothing 6.5$ PAD.



LEFT GUIDED BACKPLANE HOLE PATTERN (CONNECTOR SIDE)

REFER TO WWW.TE.COM FOR PRODUCT AVAILABILITY

△	5.5	2132578-2
△	4.9	2132578-1
FINISH	DIM M	PART NUMBER



3.00 MINIMUM BOARD THICKNESS

THIS DRAWING IS A CONTROLLED DOCUMENT.

DIMENSIONS:	TOLERANCES UNLESS OTHERWISE SPECIFIED:	DWN B. CARBO 23NOV2011	CHK D. YI 23NOV2011	APVD D. YI 23NOV2011	NAME
mm	0 PLC ±0.25 1 PLC ±0.13 2 PLC ±0.13 3 PLC ±0.13 4 PLC ±0.13 ANGLES ±0.13	PRODUCT SPEC	APPLICATION SPEC	SIZE	IMPACT, ORTHOGONAL, 3 PAIR, 8 COLUMN HEADER, LEFT GUIDED, RIGHT END WALL SIGNAL MODULE, 0.39 PTH
MATERIAL	FINISH SEE TABLE	WEIGHT	CAGE CODE DRAWING NO	RESTRICTED TO	A100779C=2132578
Customer Drawing		SCALE 6:1	SHEET 1 OF 1	REV C1	

STE TE Connectivity