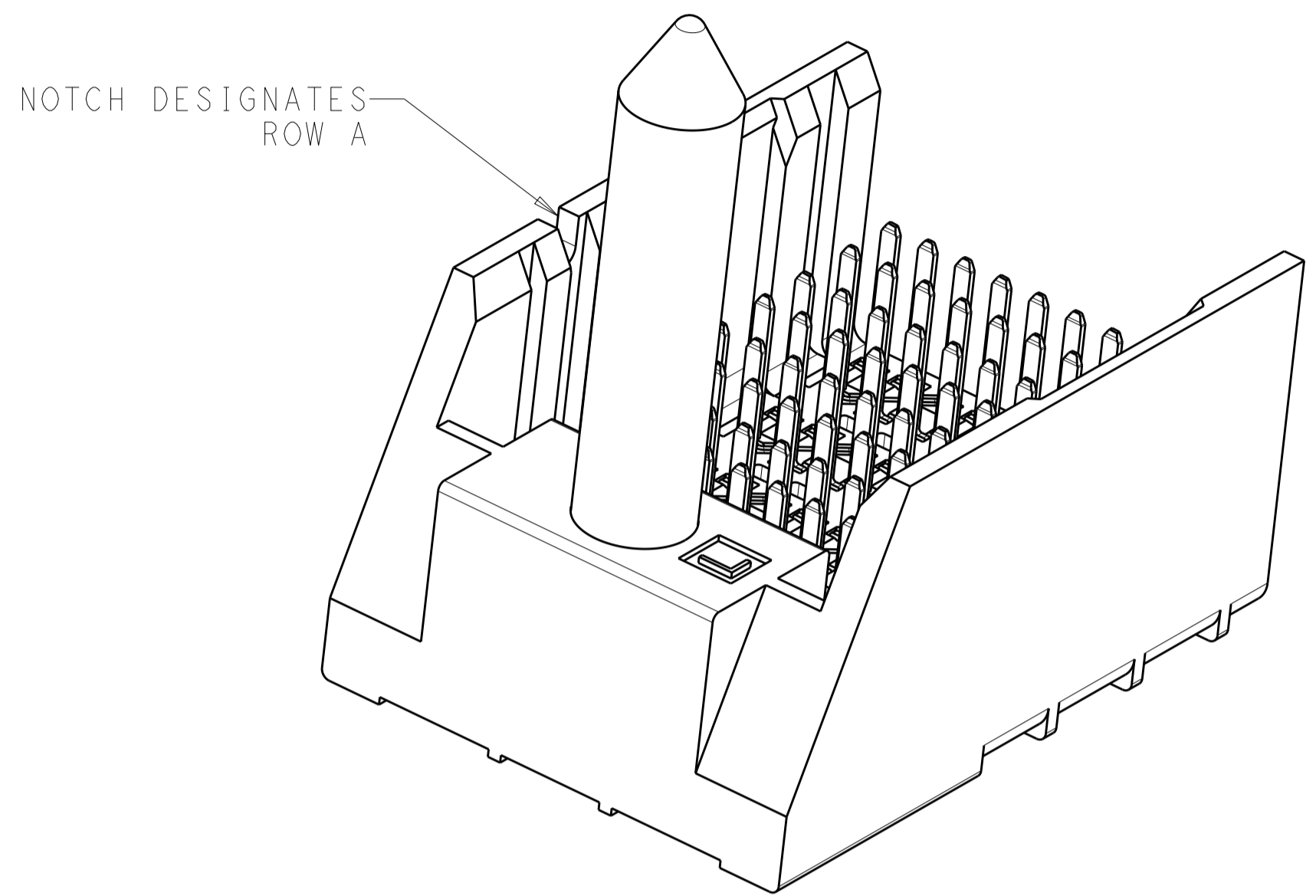
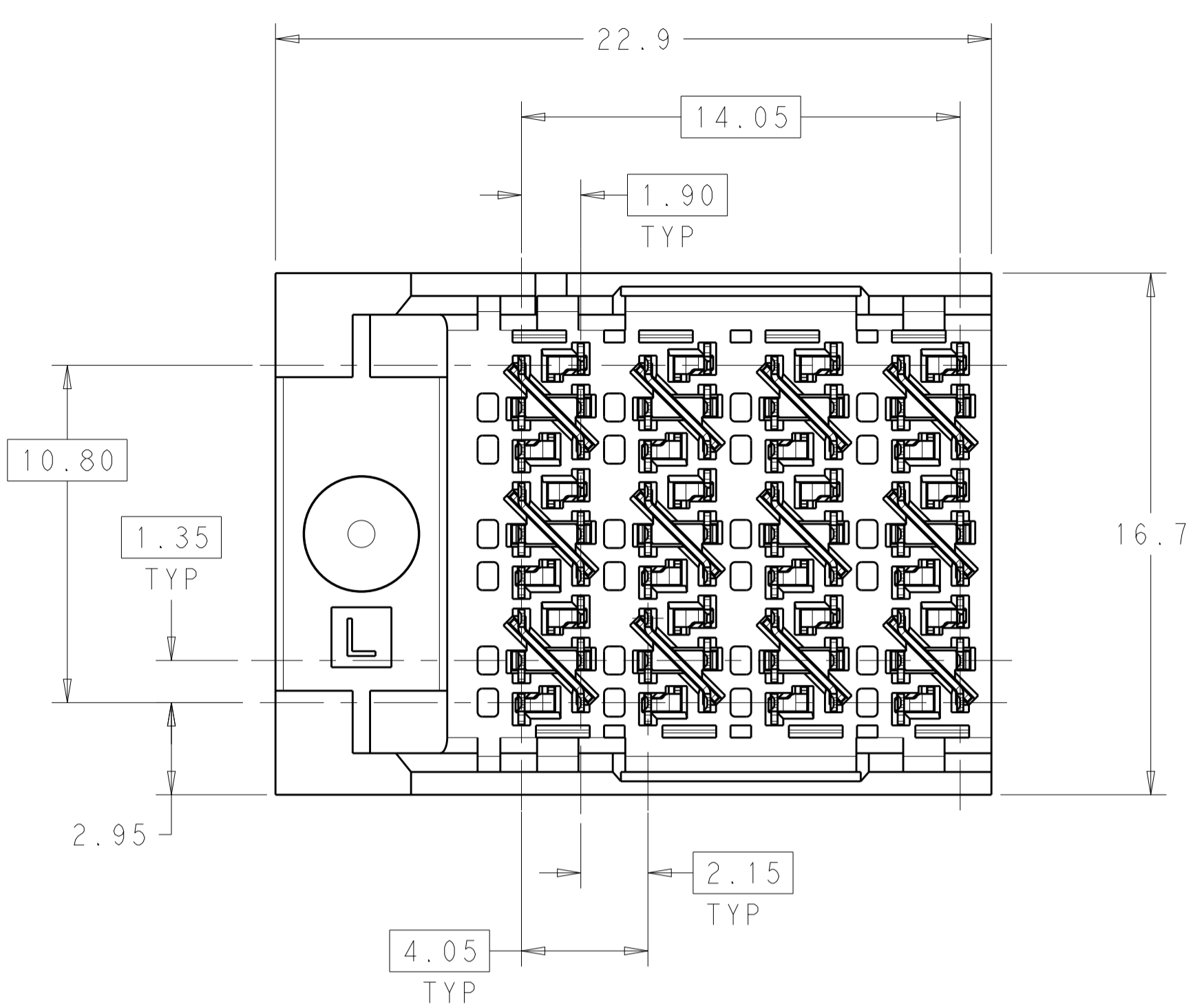
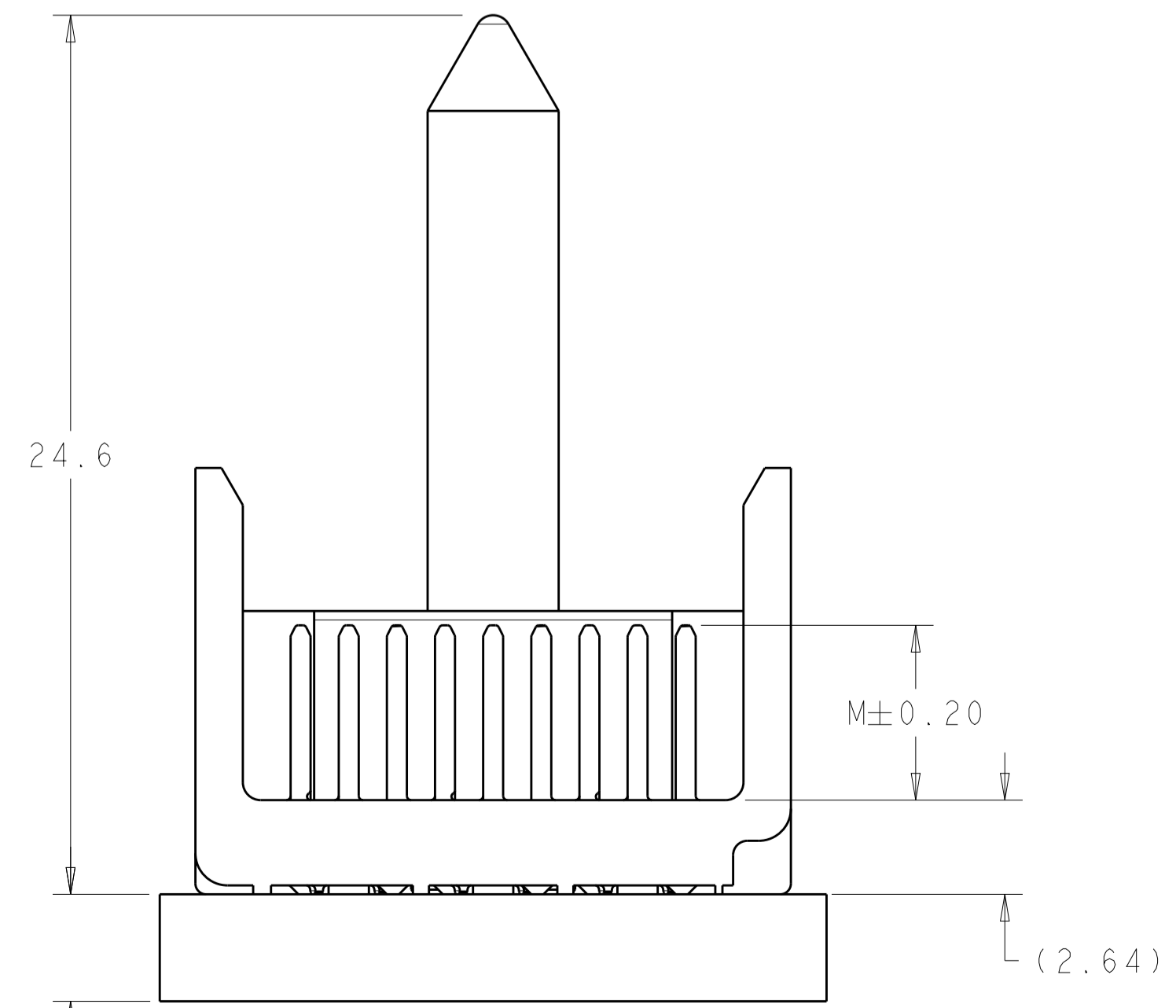
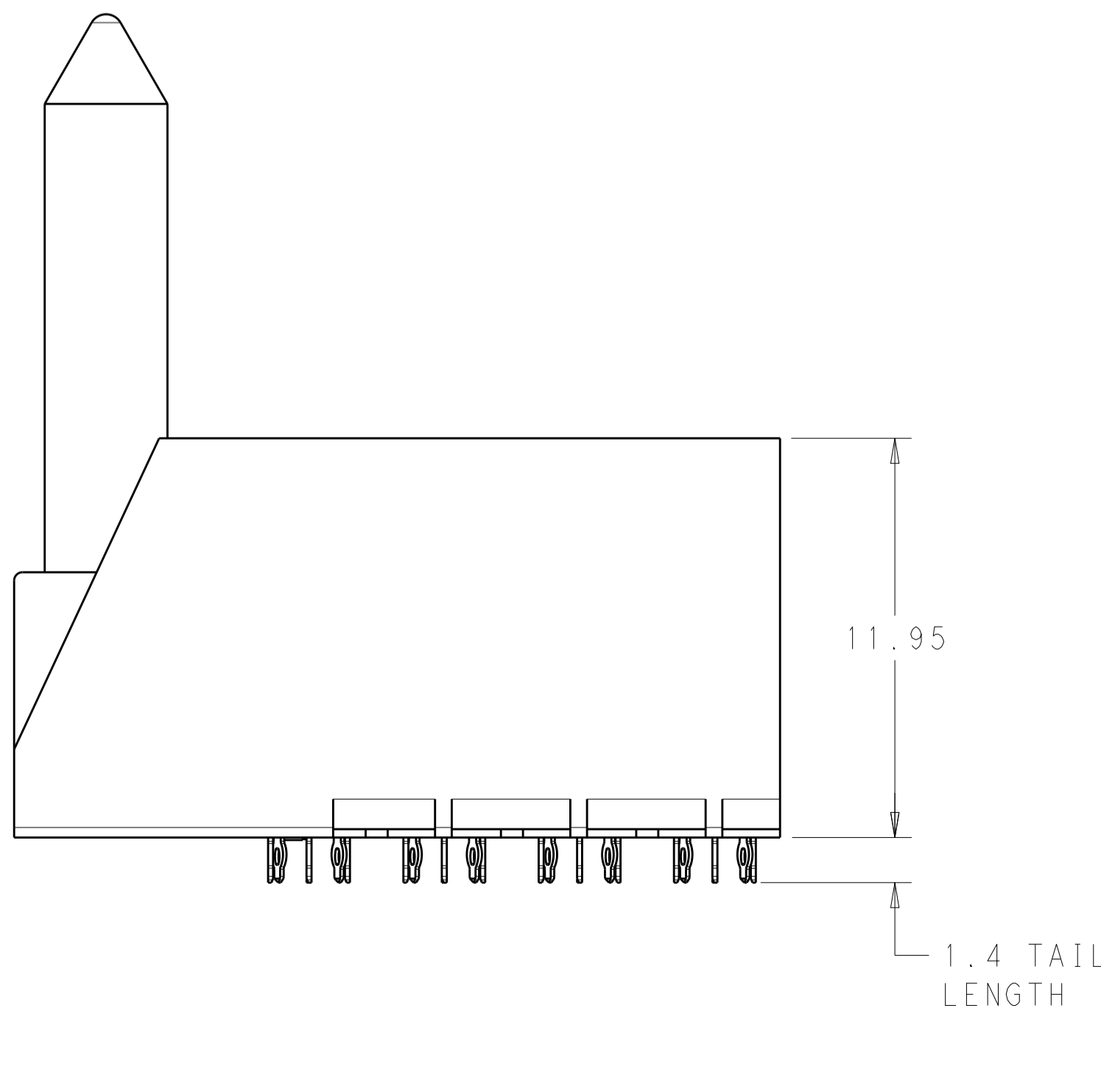
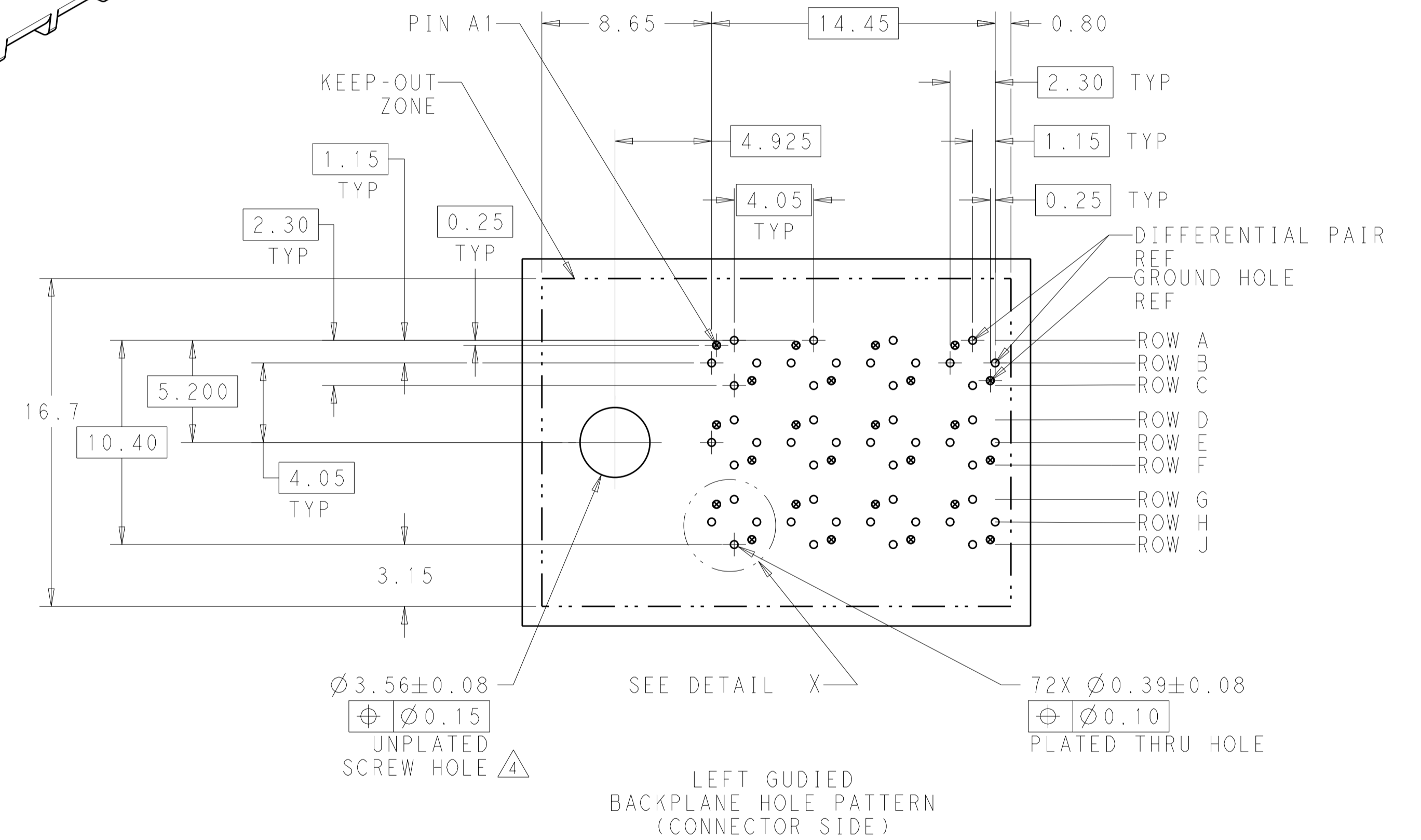
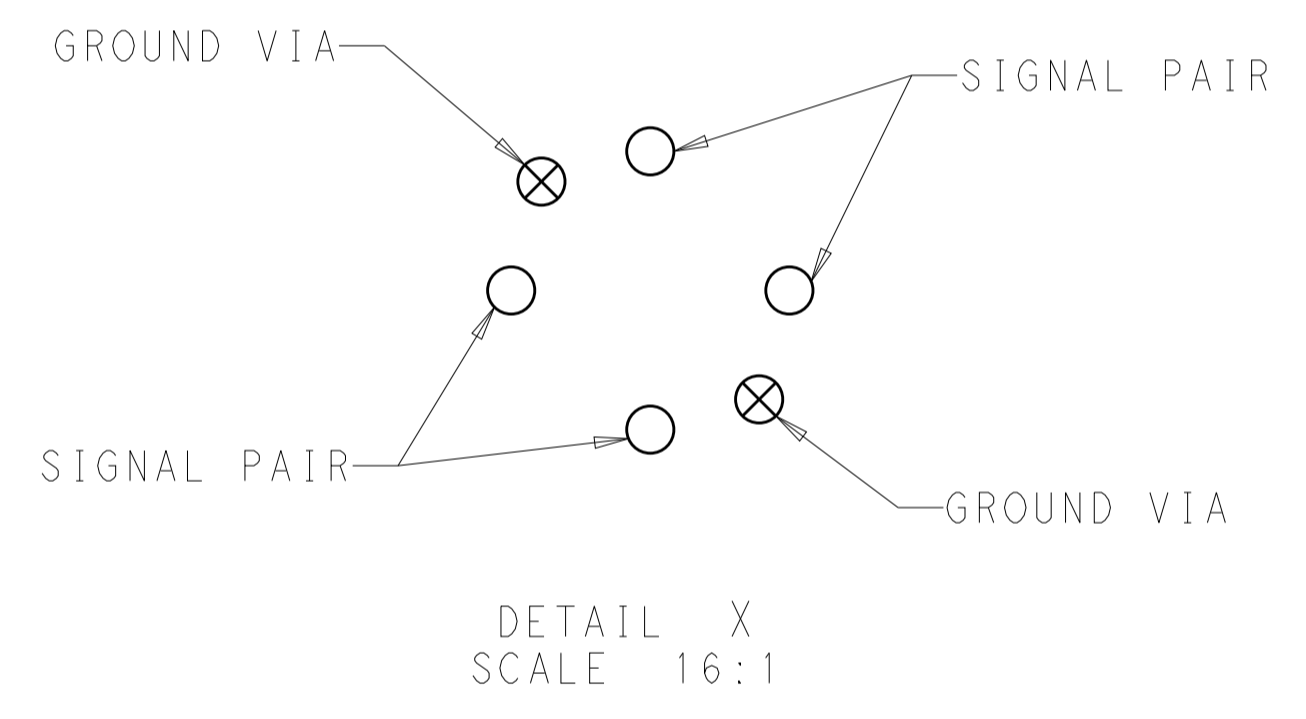


LOC		DIST		REVISIONS			
AD	00	P	LTN	DESCRIPTION	DATE	DWN	APVD
		C1		REVISED PER ECO-15-001489	30JAN2015	AP	DD



- 1 MATERIAL:
HOUSING: LCP, GLASS FILLED, UL94V-0.
TERMINALS: HIGH PERFORMANCE COPPER ALLOY.
- 2 FINISH:
30µ" MIN GOLD IN CONTACT AREA. SELECTIVE TIN ON PCB TAILS, NICKEL OVERALL.
- 3. SCREWS PACKAGED IN END OF PACKAGING TUBE.
- 4 FOR GROUNDED GUIDE PIN USE $\varnothing 3.56 \pm 0.08$ PTH, $\varnothing 3.66$ DRILL, AND $\varnothing 6.5$ PAD.



REFER TO WWW.TE.COM FOR PRODUCT AVAILABILITY

2	5.5	2132577-2
2	4.9	2132577-1
FINISH	DIM M	PART NUMBER

THIS DRAWING IS A CONTROLLED DOCUMENT.

DIMENSIONS:	TOLERANCES UNLESS OTHERWISE SPECIFIED:	DWN B. CARBO 23NOV2011	NAME
mm	0 PLC ±0.25	CHK D. YI 23NOV2011	IMPACT, ORTHOGONAL, 3 PAIR, 8 COLUMN
	1 PLC ±0.13	APVD D. YI 23NOV2011	HEADER, LEFT GUIDED, OPEN END WALL
	2 PLC ±0.13	PRODUCT SPEC	SIGNAL MODULE, 0.39 PTH
	3 PLC ±0.13	APPLICATION SPEC	SIZE CAGE CODE DRAWING NO RESTRICTED TO
	4 PLC ±0.13	WEIGHT	A100779C=2132577
	ANGLES ±0.13	Customer Drawing	SCALE 6:1 SHEET 1 OF 1 REV C1