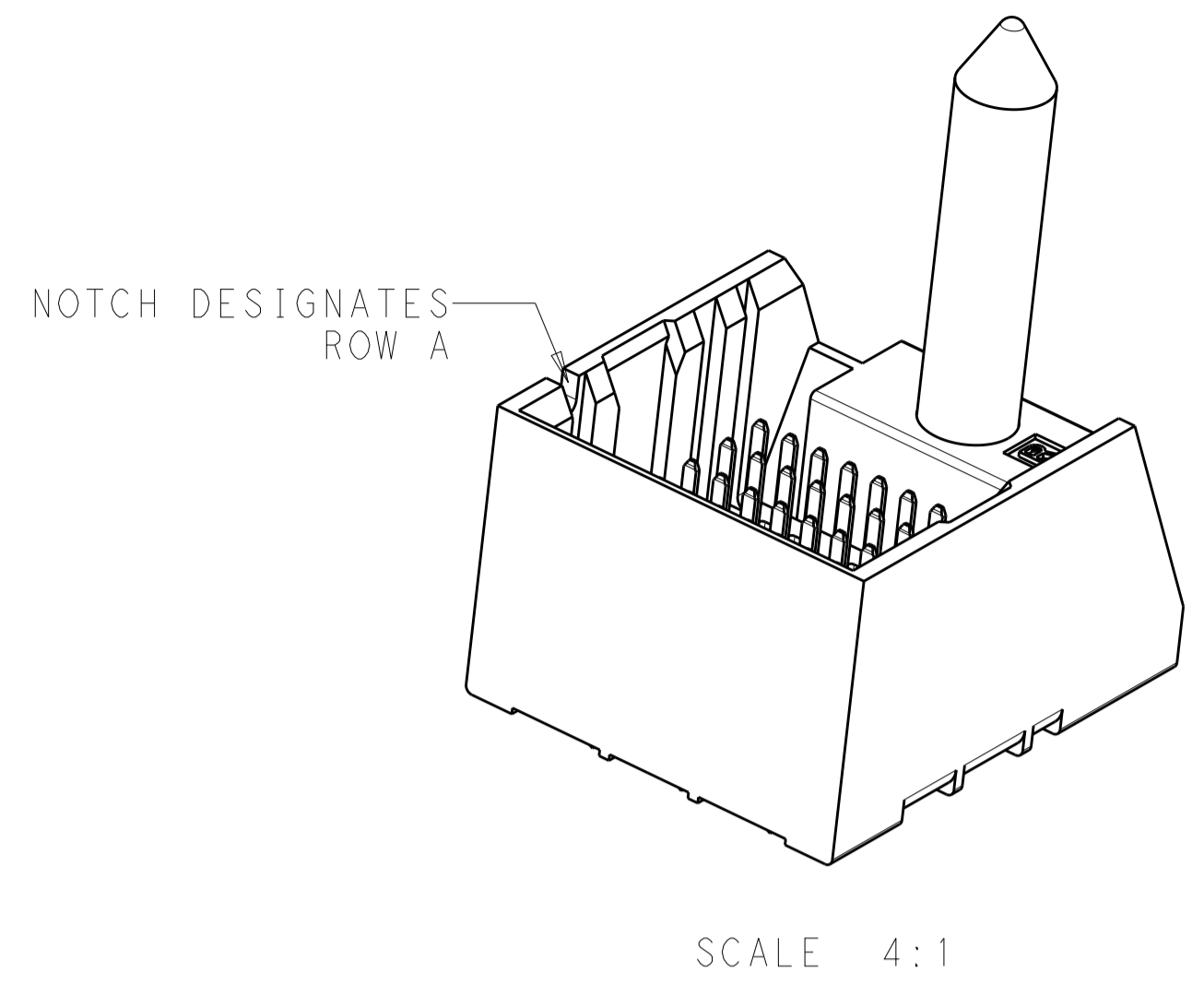
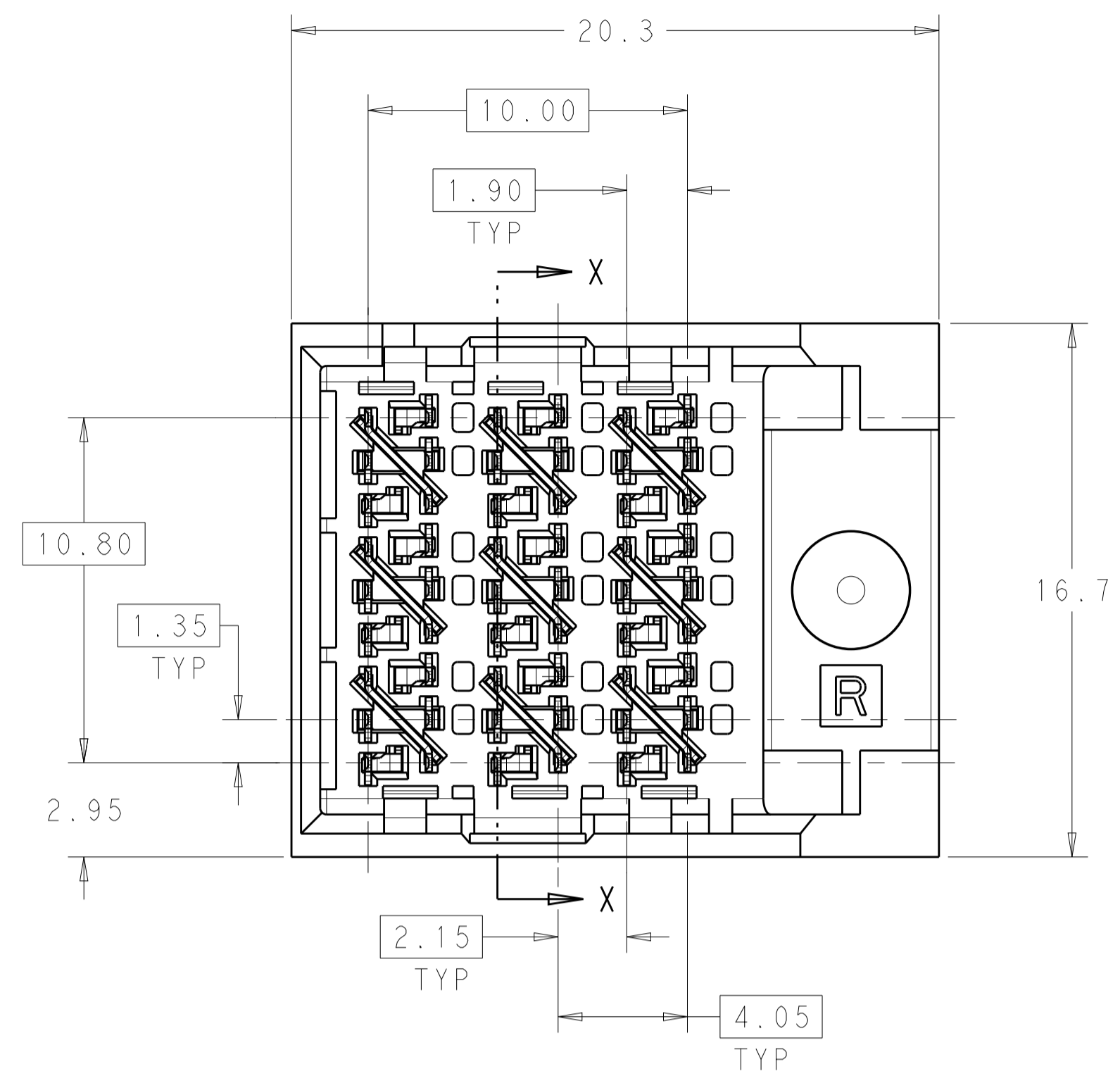
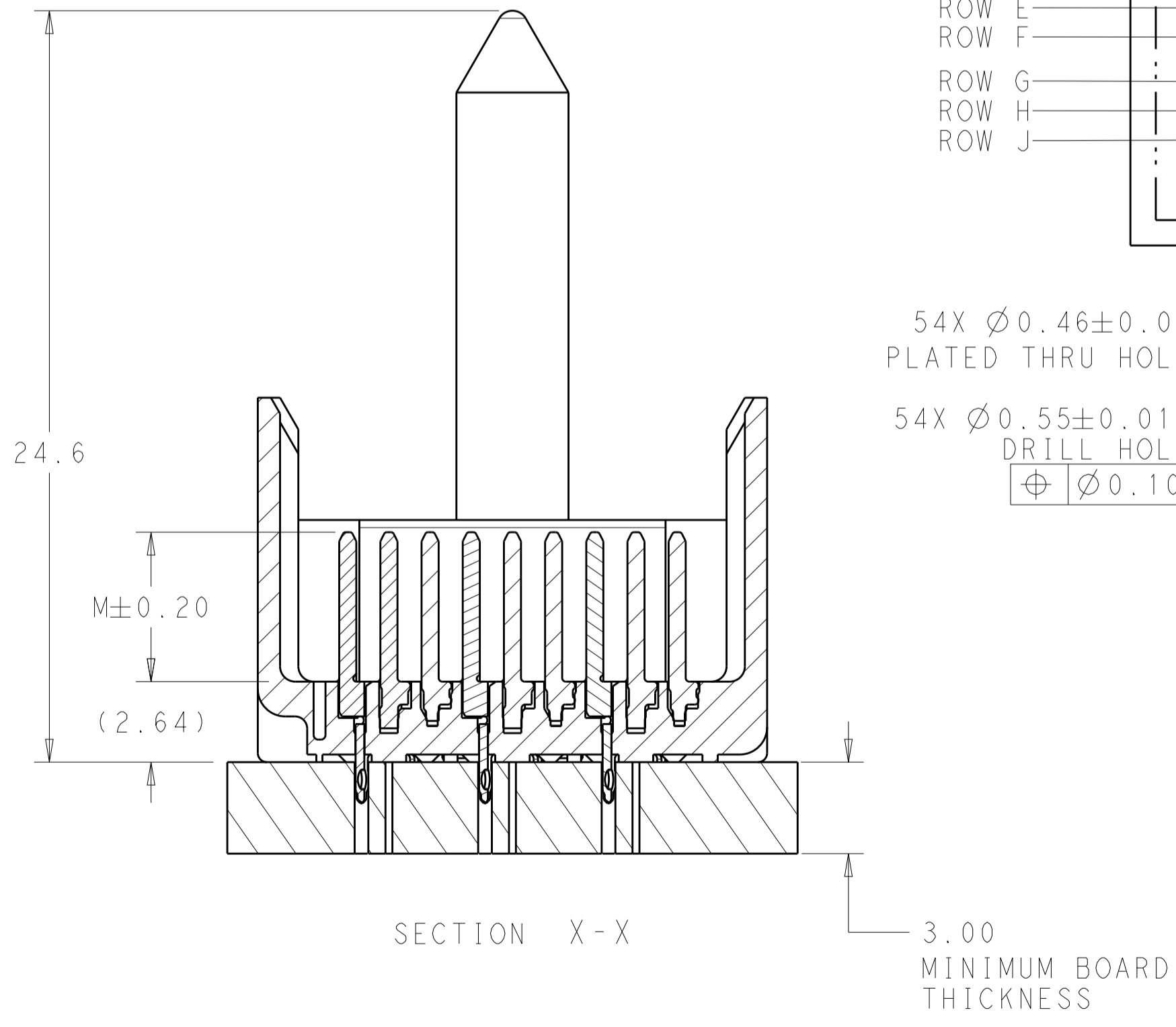
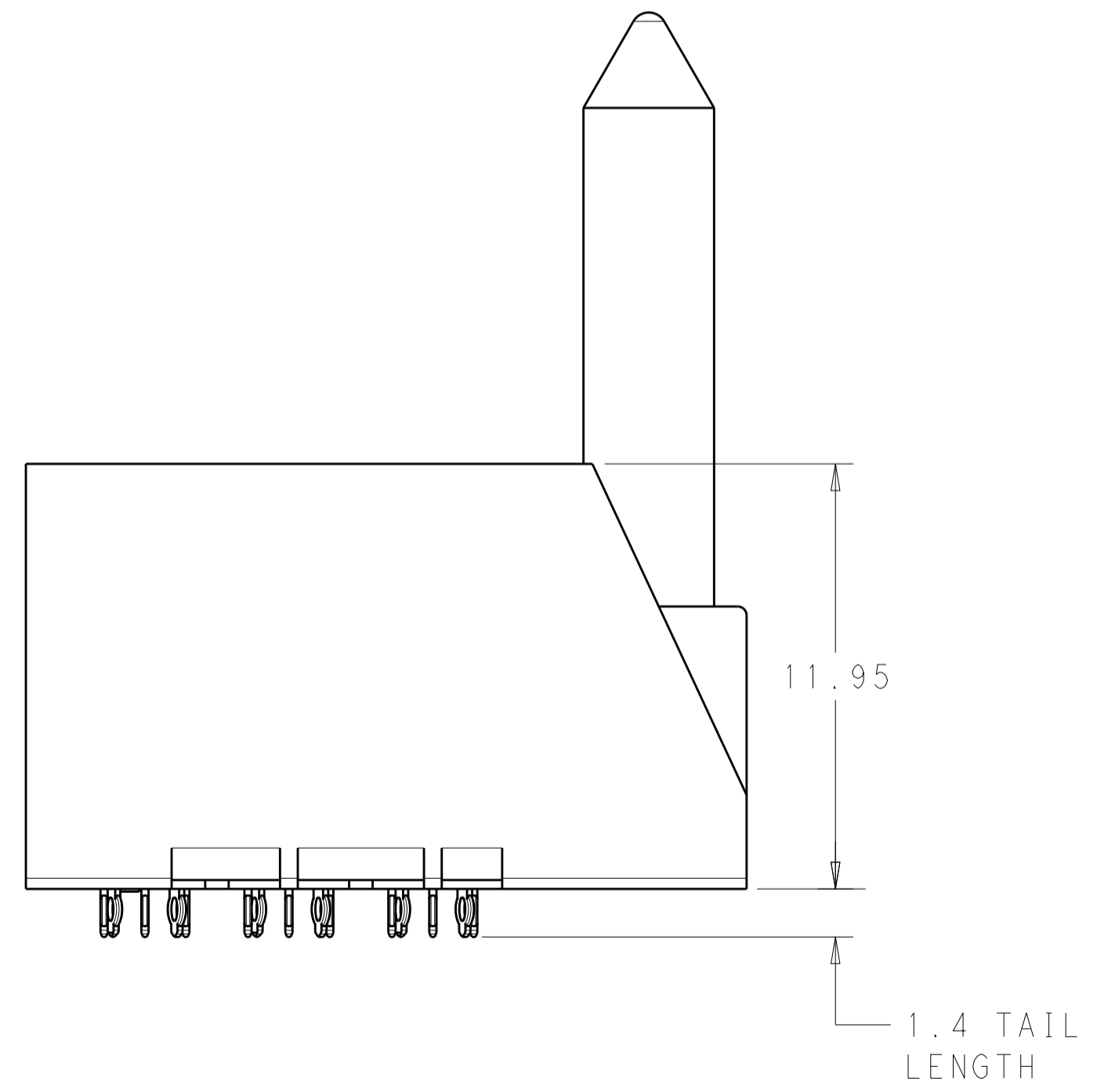
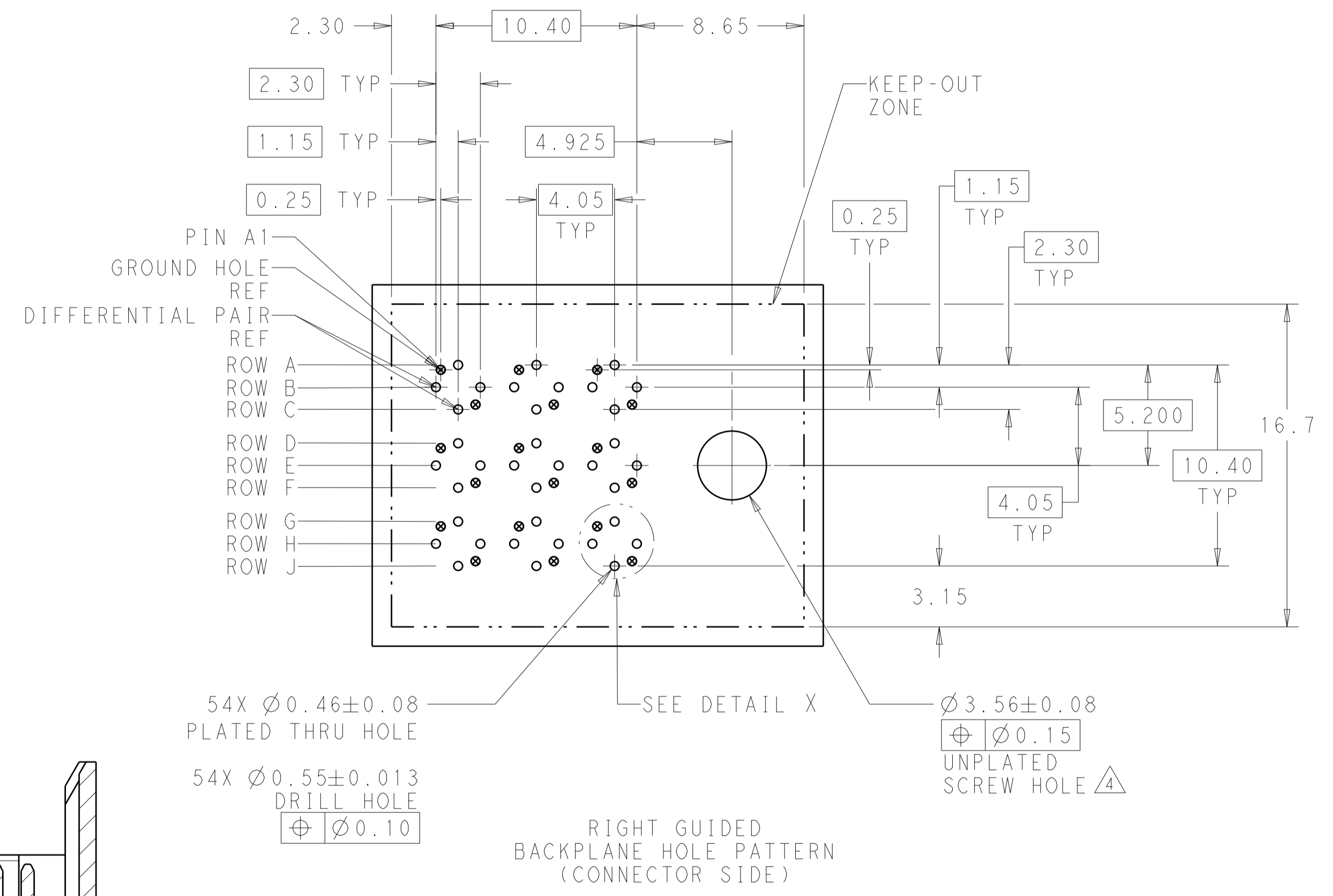
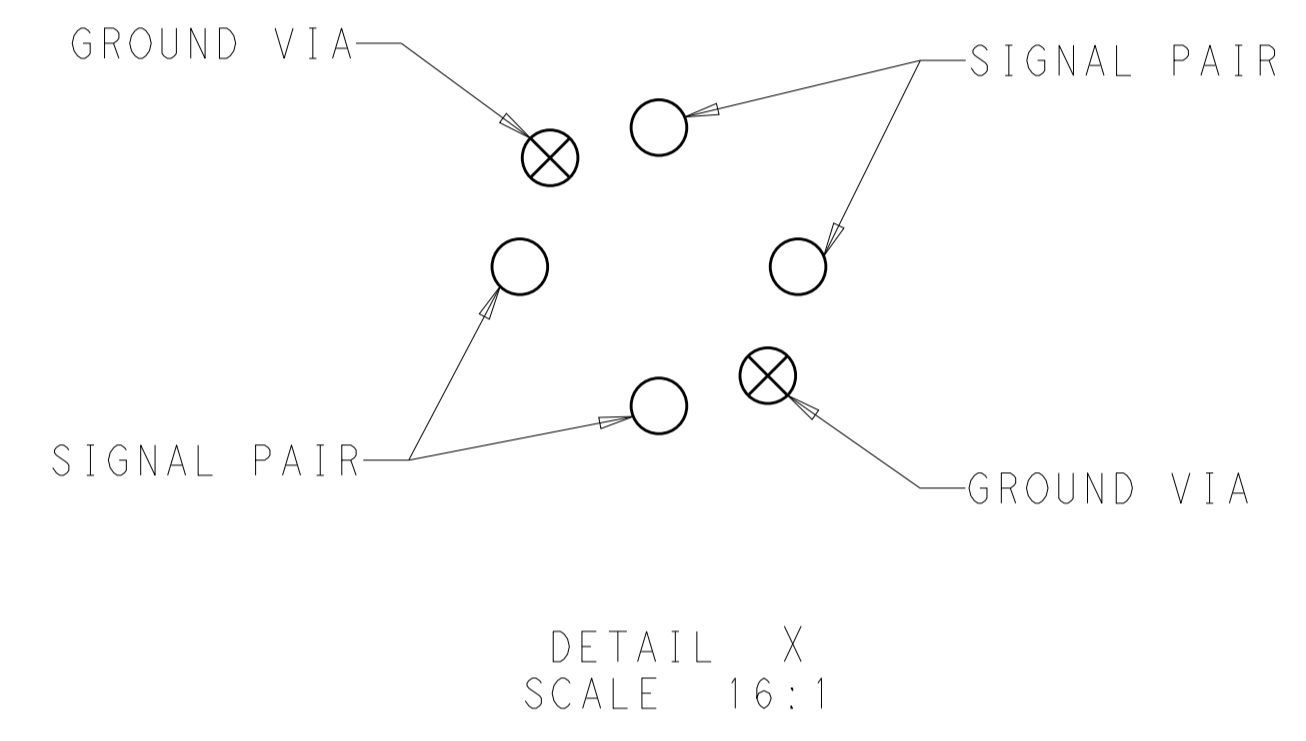


LOC		DIST		REVISIONS			
AD	00	P	LTN	DESCRIPTION	DATE	DWN	APVD
		C1		REVISED PER ECO-15-001489	30JAN2015	AP	DD



- 1 MATERIAL:
HOUSING: LCP, GLASS FILLED, UL94V-0.
TERMINALS: HIGH PERFORMANCE COPPER ALLOY.
- 2 FINISH:
30μ" MIN GOLD IN CONTACT AREA. SELECTIVE TIN ON PCB TAILS, NICKEL OVERALL
- 3. SCREWS PACKAGED IN END OF PACKAGING TUBE.
- 4 FOR GROUNDED GUIDE PIN USE $\varnothing 3.56 \pm 0.08$ PTH, $\varnothing 3.66$ DRILL, AND $\varnothing 6.5$ PAD



REFER TO WWW.TE.COM FOR PRODUCT AVAILABILITY

2	5.5	2132572-2
2	4.9	2132572-1
FINISH	DIM M	PART NUMBER

DIMENSIONS:		TOLERANCES UNLESS OTHERWISE SPECIFIED:		MATERIAL:		FINISH:		WEIGHT:		SIZE:		CAGE CODE:		DRAWING NO:		RESTRICTED TO:	
mm	0 PLC	±															
	1 PLC	±0.25															
	2 PLC	±0.13															
	3 PLC	±															
	4 PLC	±															
	ANGLES	±															
		SEE TABLE															