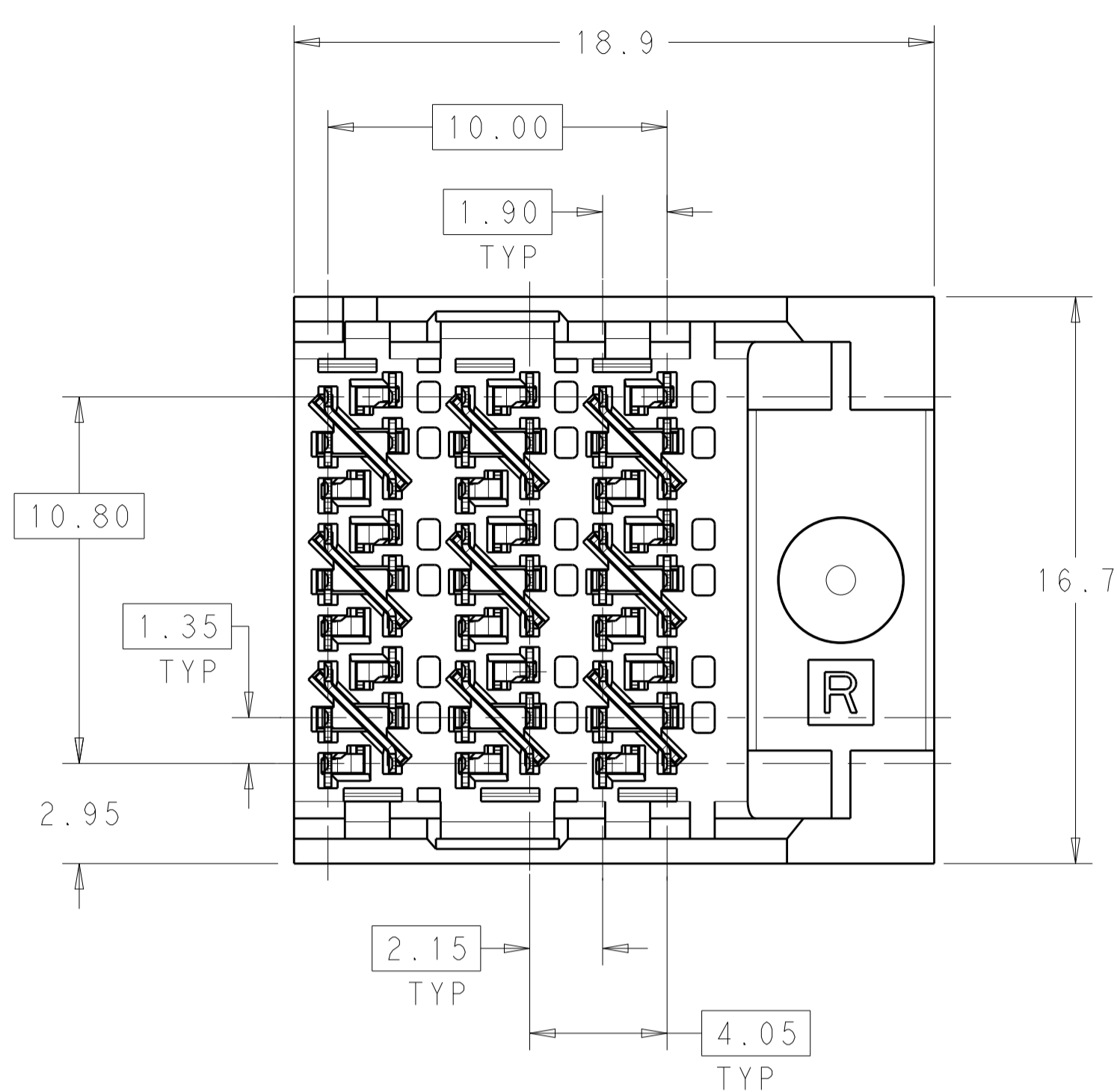
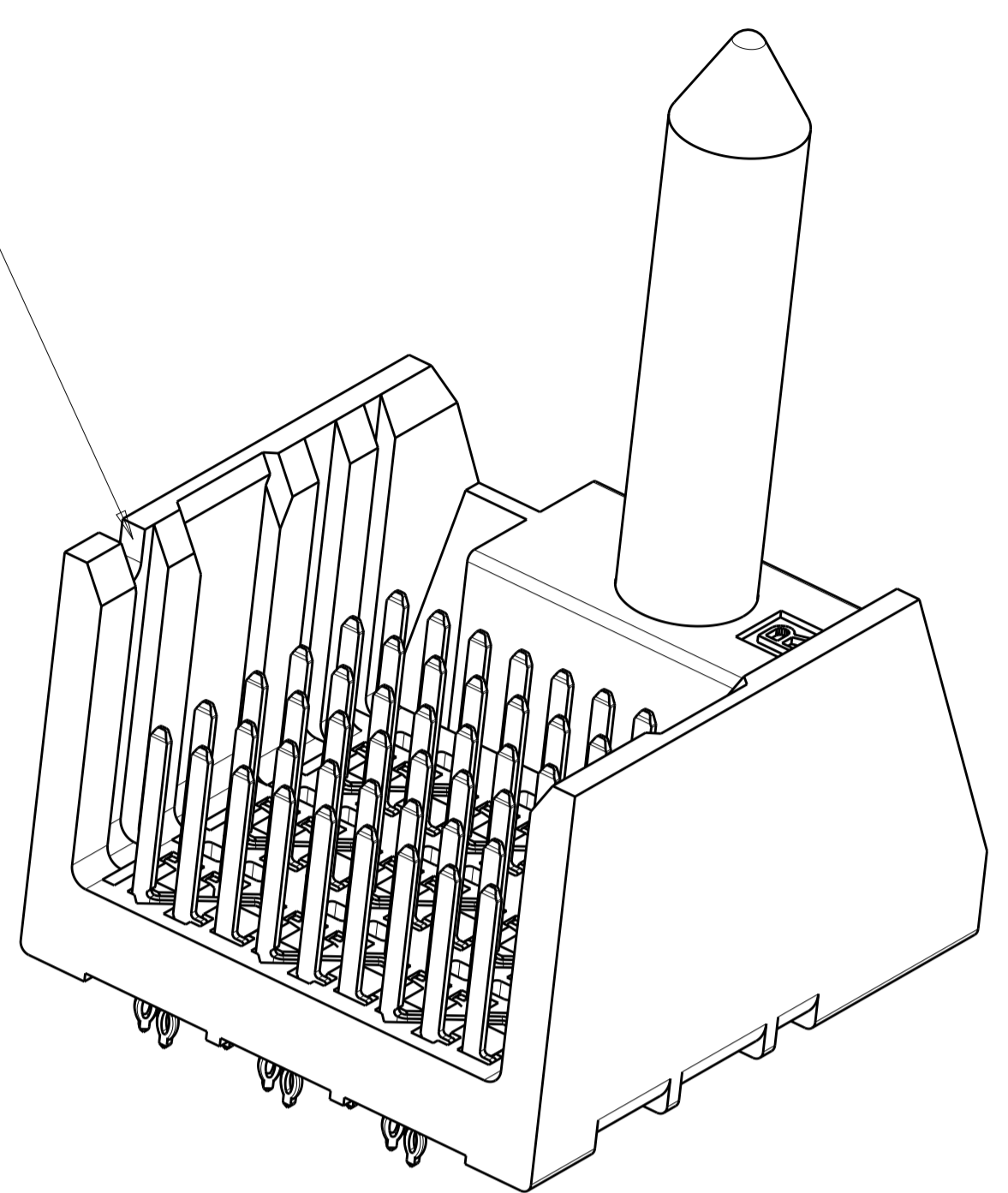


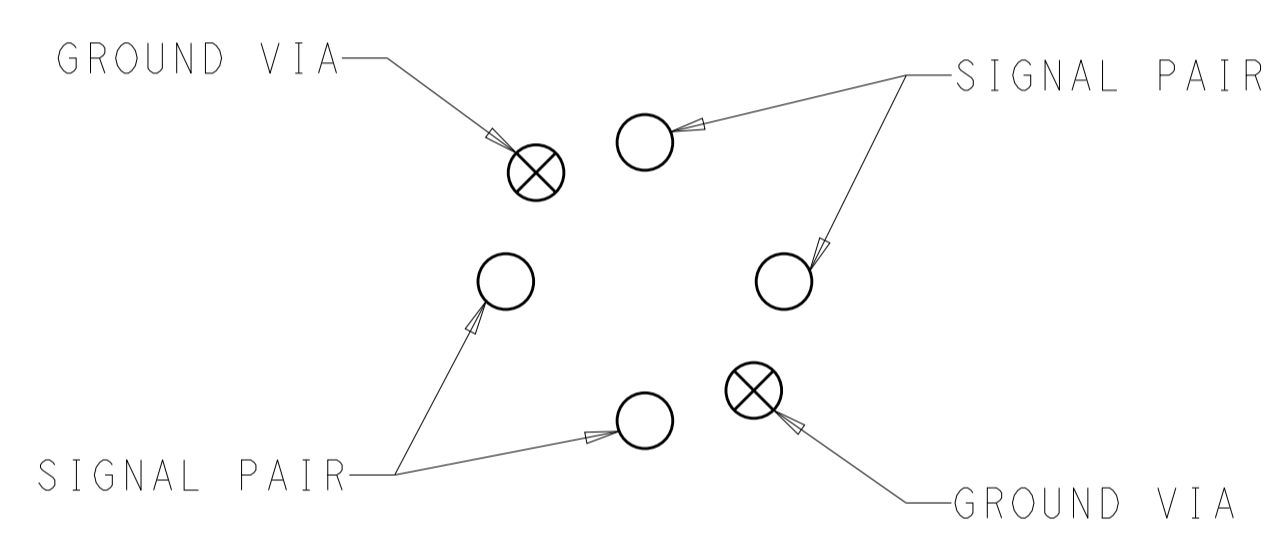
LOC		DIST		REVISIONS			
AD	00	P	LTM	DESCRIPTION	DATE	DWN	APVD
		C1		REVISED PER ECO-15-001489	30JAN2015	AP	DD



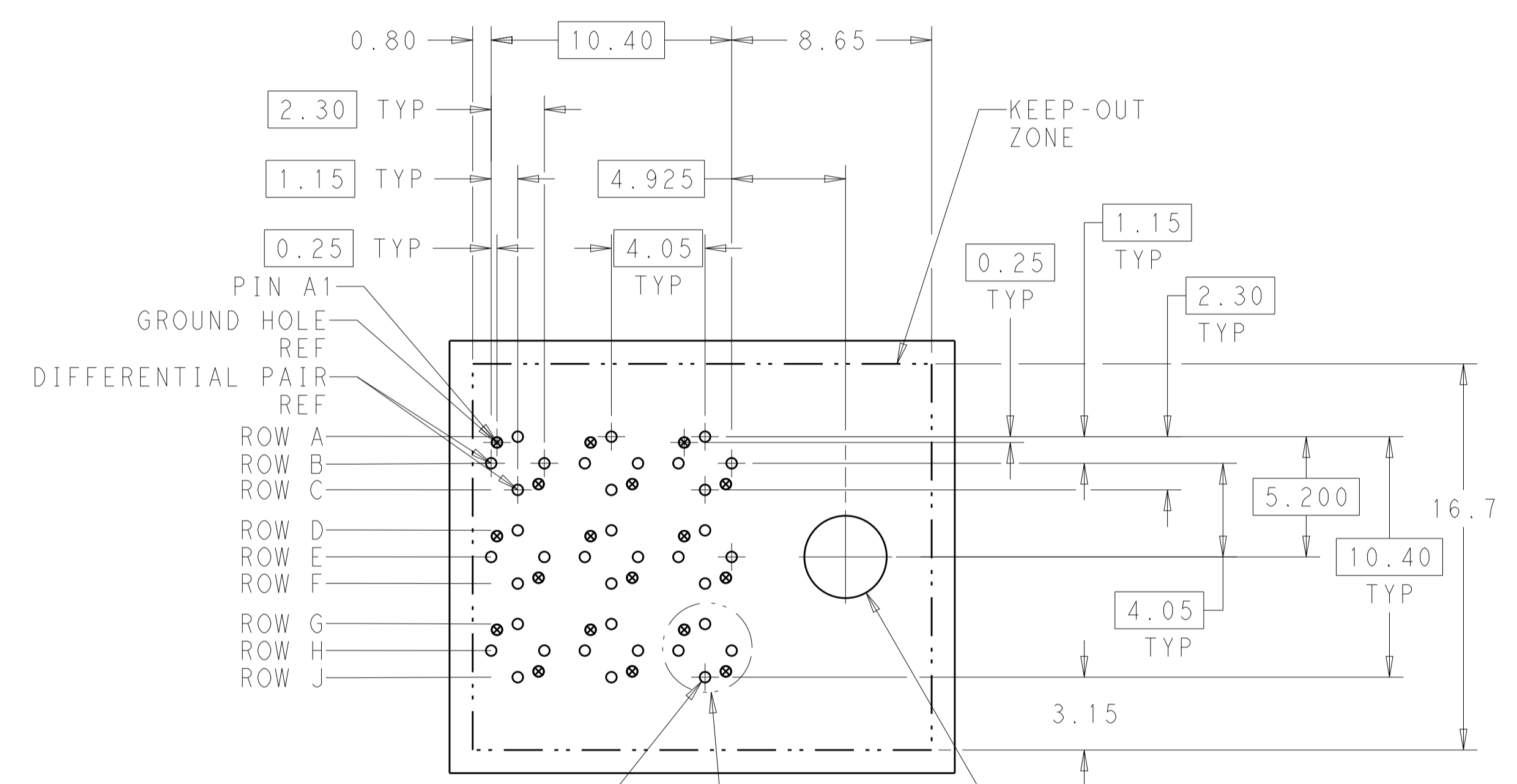
NOTCH DESIGNATES ROW A



- △ MATERIAL:
HOUSING: LCP, GLASS FILLED, UL94V-0.
TERMINALS: HIGH PERFORMANCE COPPER ALLOY.
- △ FINISH:
30μ" MIN GOLD IN CONTACT AREA. SELECTIVE TIN ON PCB TAILS, NICKEL OVERALL.
- 3. SCREWS PACKAGED IN END OF PACKAGING TUBE.
- △ FOR GROUNDED GUIDE PIN USE $\varnothing 3.56 \pm 0.08$ PTH, $\varnothing 3.66$ DRILL, AND $\varnothing 6.5$ PAD.



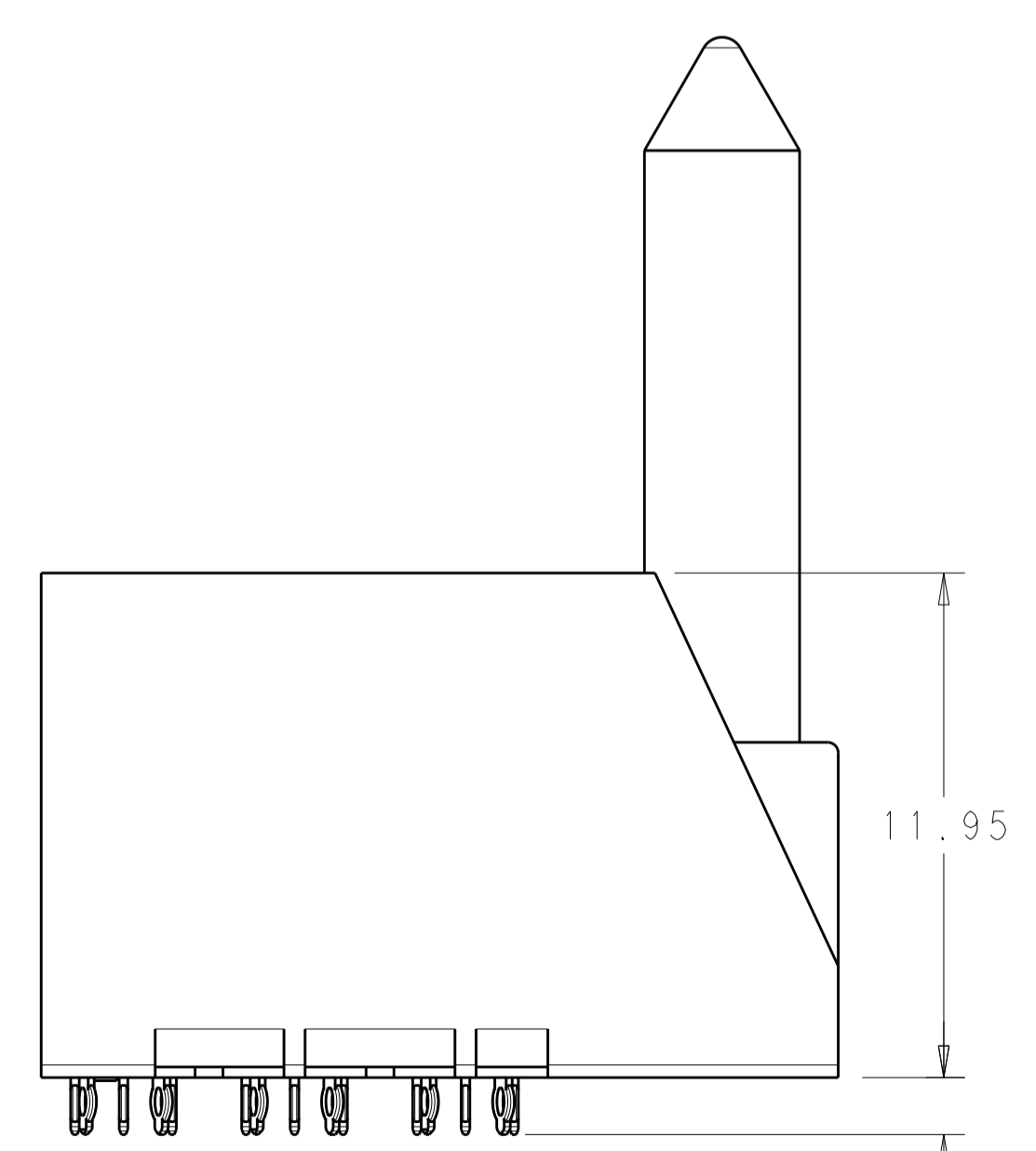
DETAIL X
SCALE 16:1



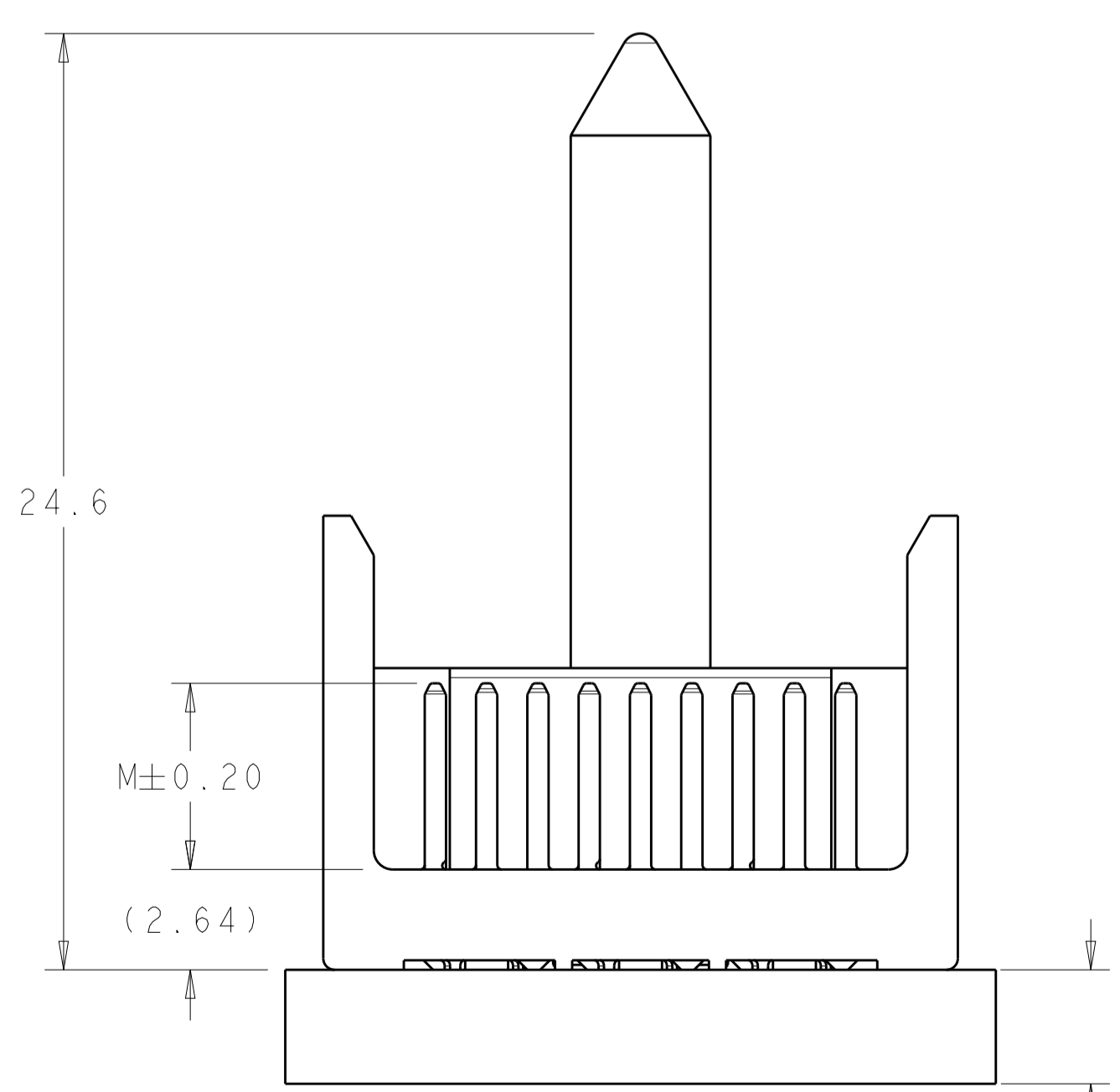
54X $\varnothing 0.46 \pm 0.08$ PLATED THRU HOLE
 54X $\varnothing 0.55 \pm 0.013$ DRILL HOLE $\varnothing 0.10$
 $\varnothing 3.56 \pm 0.08$ UNPLATED SCREW HOLE △

RIGHT GUIDED BACKPLANE HOLE PATTERN (CONNECTOR SIDE)

REFER TO WWW.TE.COM FOR PRODUCT AVAILABILITY



1.4 TAIL LENGTH



3.00 MINIMUM BOARD THICKNESS

△	5.5	2132571-2
△	4.9	2132571-1
FINISH	DIM M	PART NUMBER

THIS DRAWING IS A CONTROLLED DOCUMENT.		DWN: KIRAN HOLAL 22APR2013	TE Connectivity	
DIMENSIONS: mm		CHK: D. DIXON 22APR2013	IMPACT, ORTHOGONAL, 3 PAIR, 6 COLUMN HEADER, RIGHT GUIDED, OPEN END WALL SIGNAL MODULE, 0.46 PTH	
TOLERANCES UNLESS OTHERWISE SPECIFIED:		APVD: D. DIXON 22APR2013	SIZE: CAGE CODE: DRAWING NO: A100779C=2132571	
0 PLC ±0.25		PRODUCT SPEC	RESTRICTED TO	
1 PLC ±0.13		APPLICATION SPEC	SCALE: 6:1 SHEET 1 OF 1 REV: C1	
2 PLC ±0.10		WEIGHT	Customer Drawing	
3 PLC ±0.08		FINISH		
4 PLC ±0.05		SEE TABLE		
ANGLES				