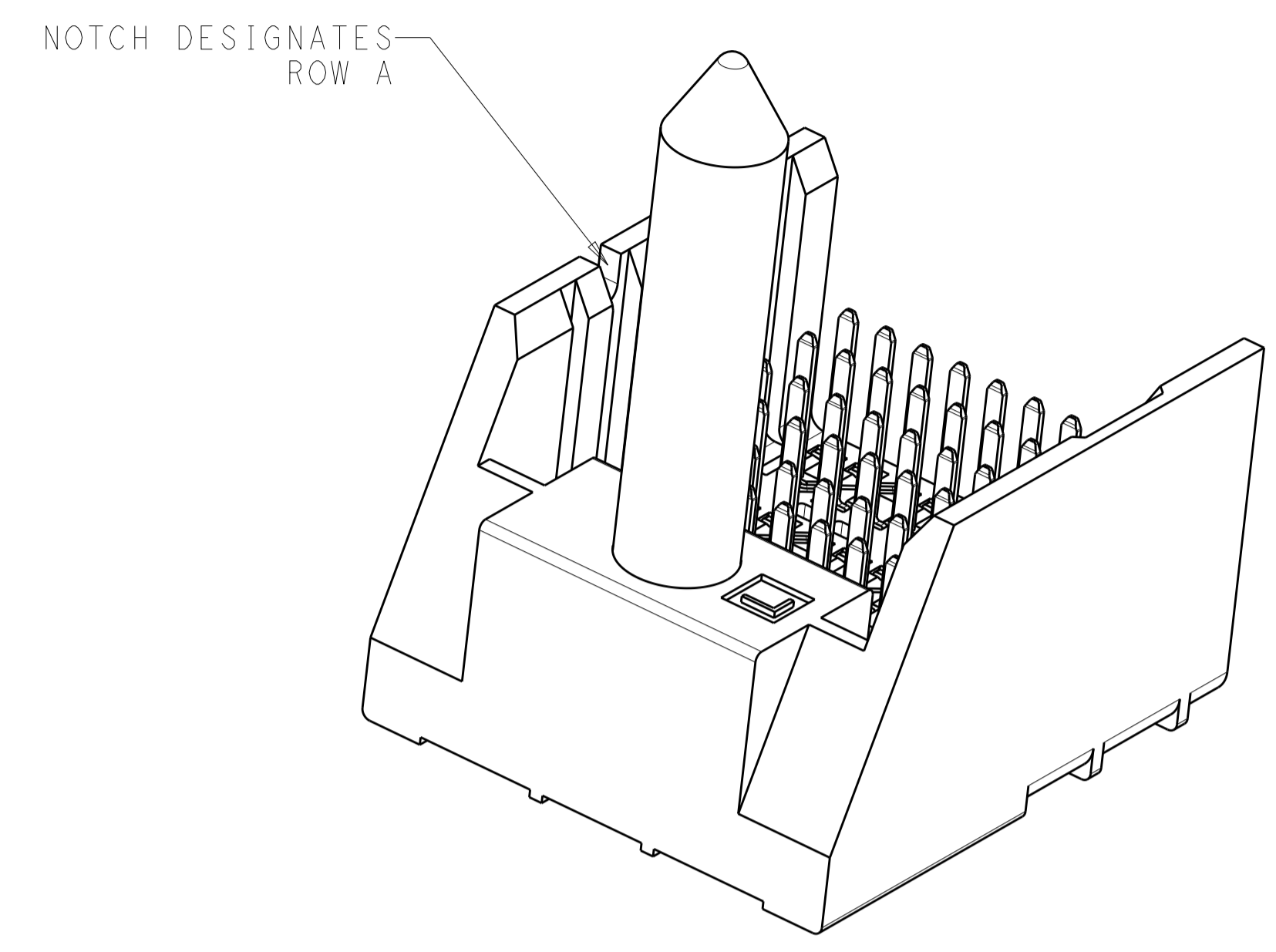
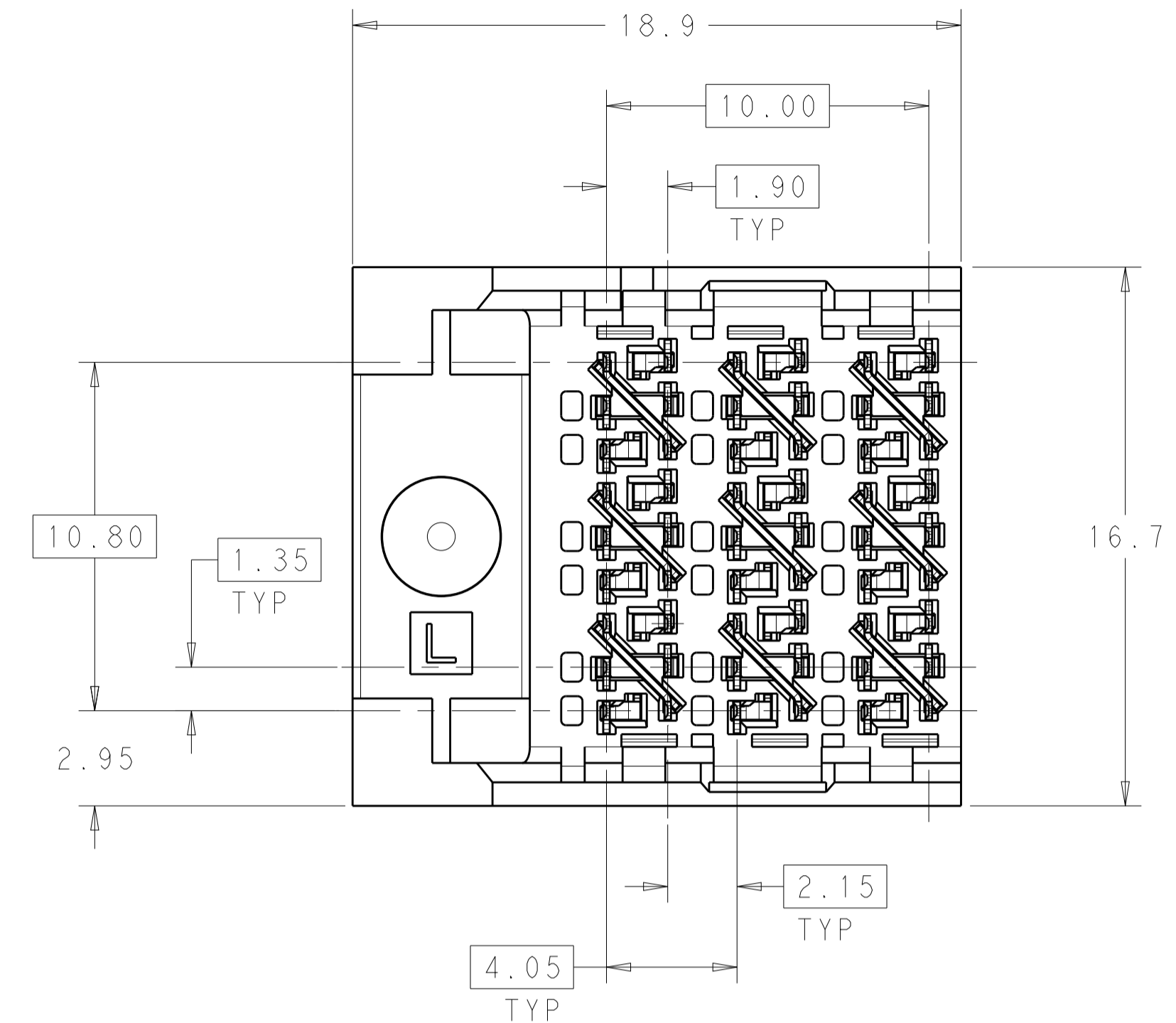
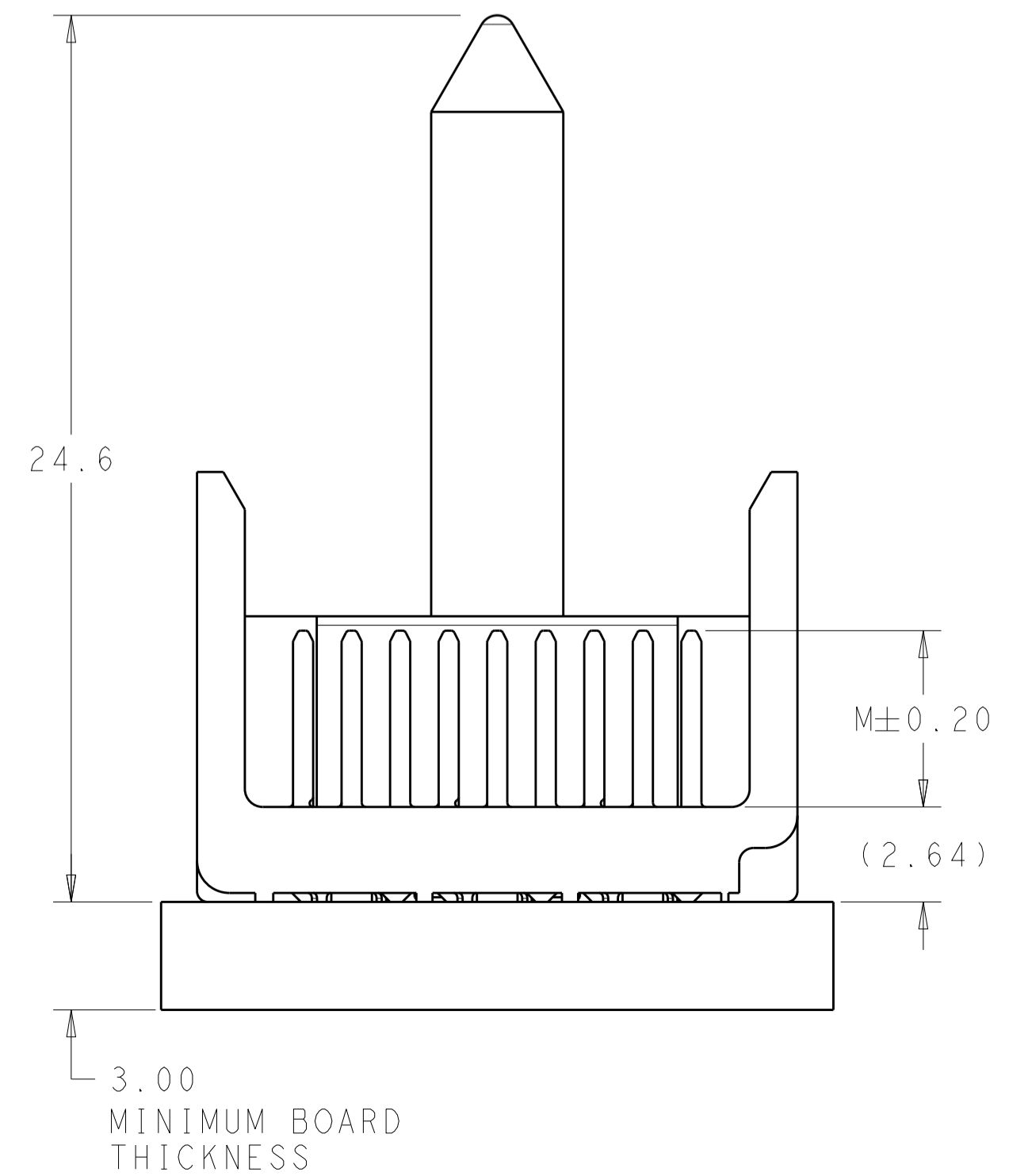
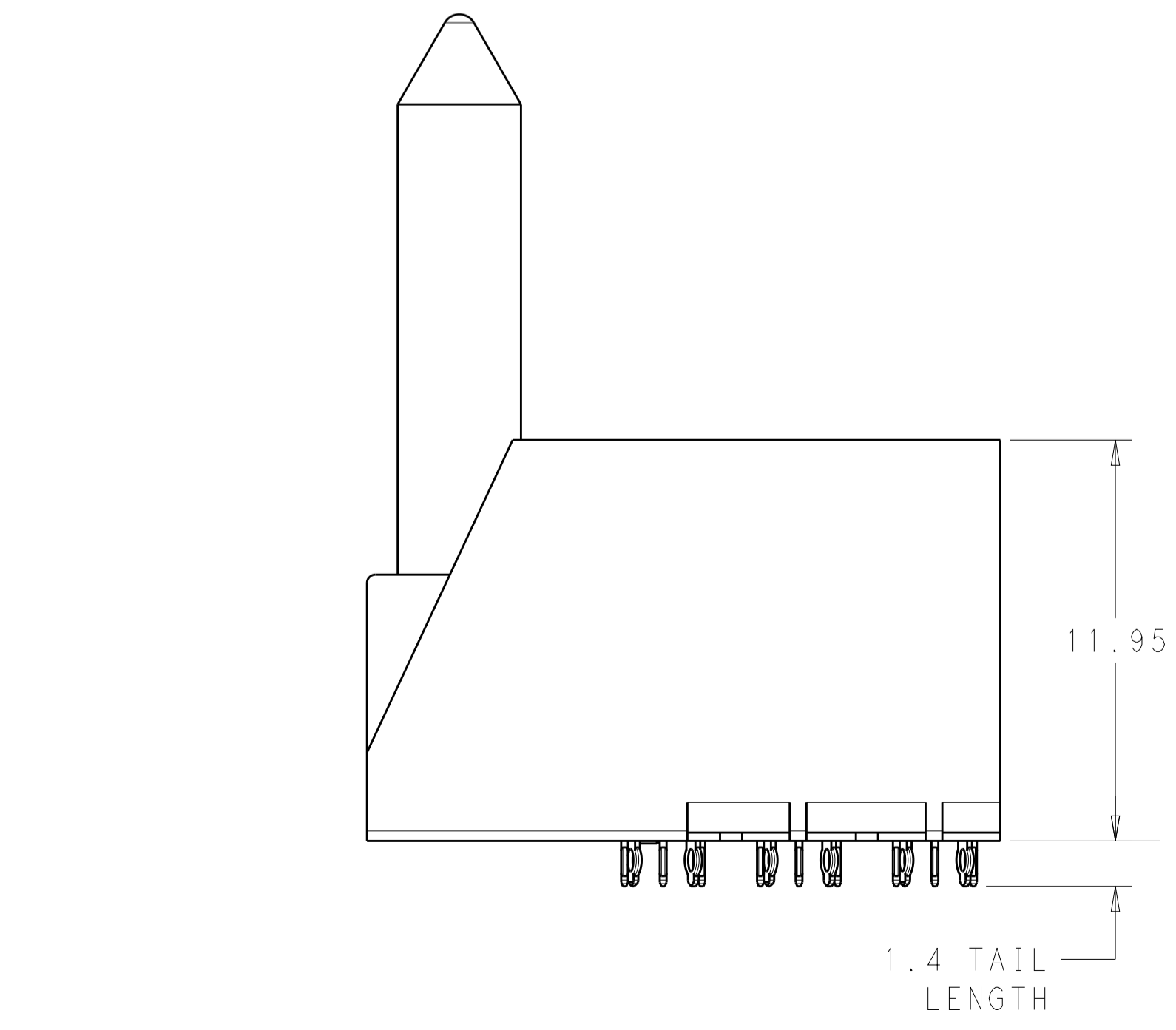
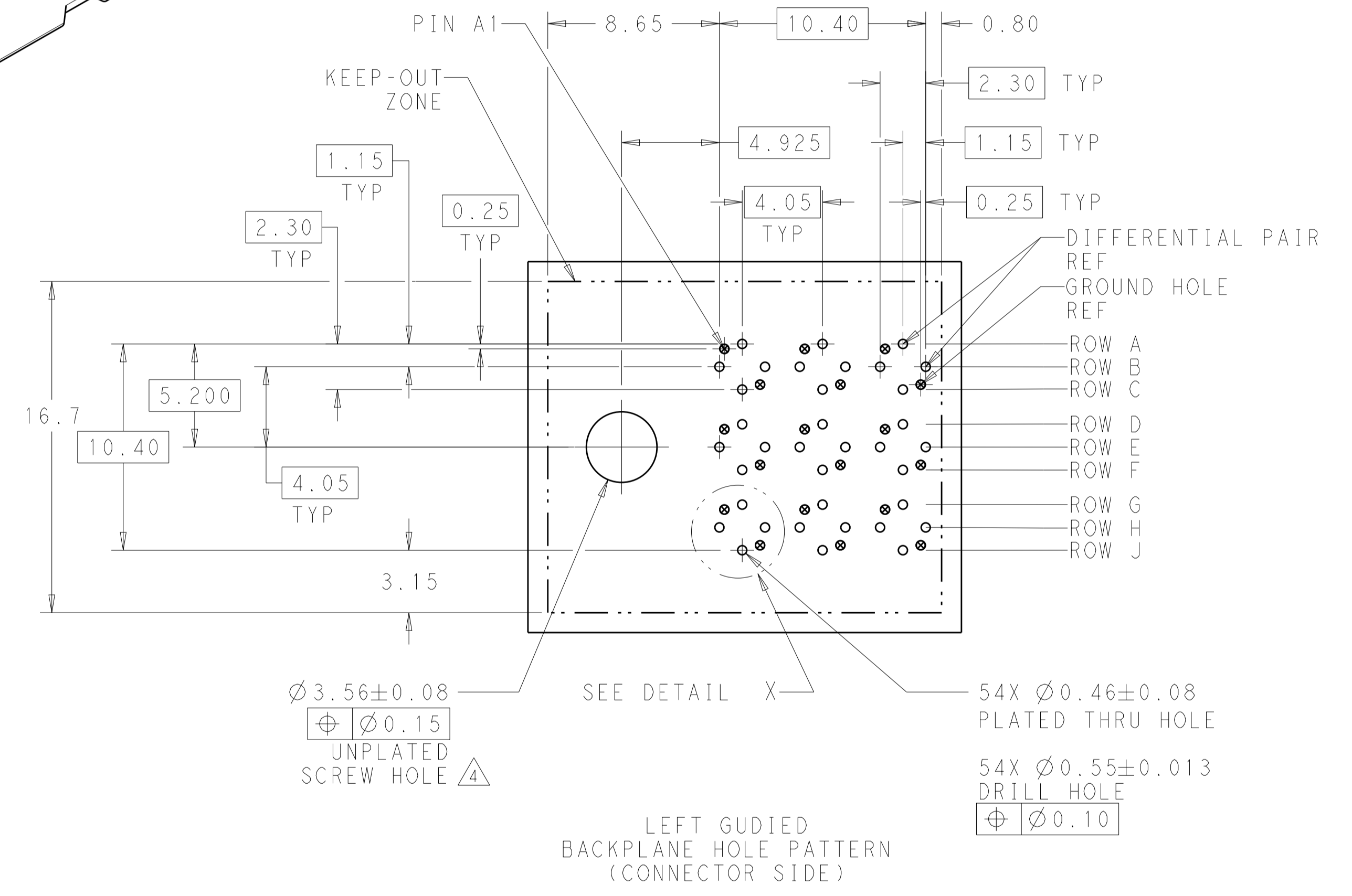
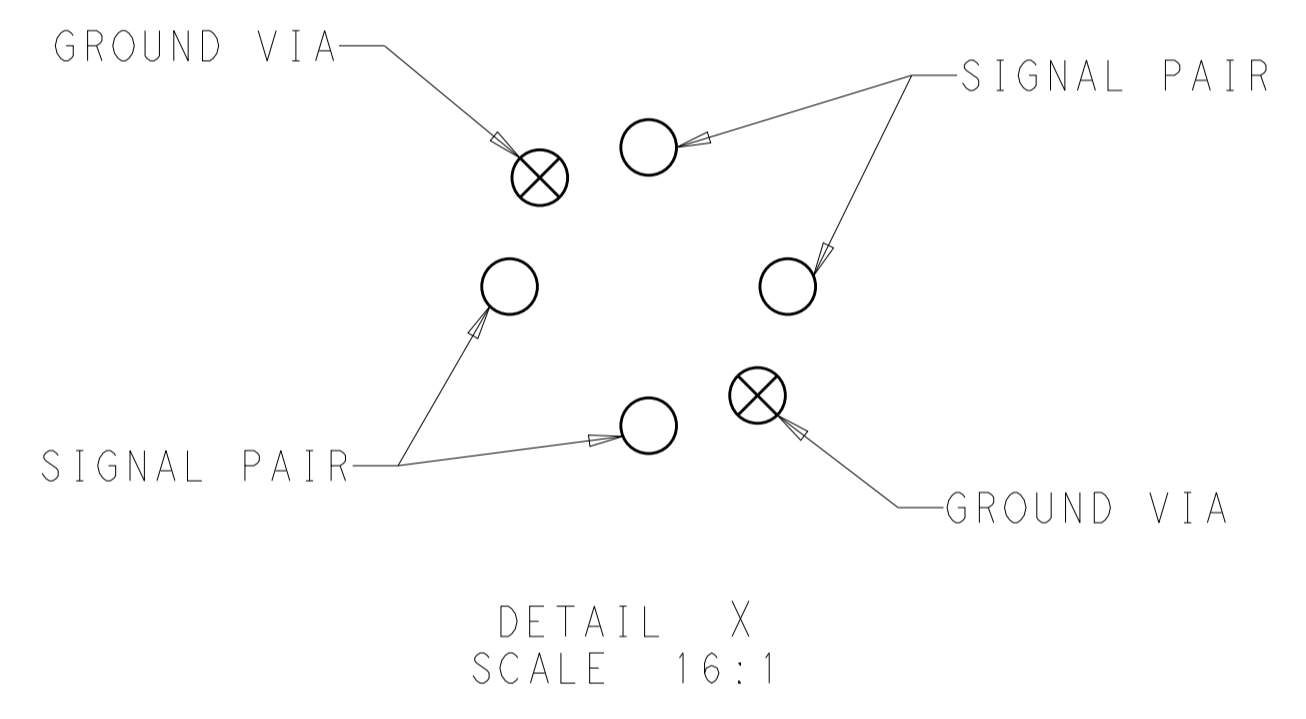


| LOC | | DIST | | REVISIONS | | | |
|-----|----|------|-----|---------------------------|-----------|-----|------|
| AD | 00 | P | LTN | DESCRIPTION | DATE | DWN | APVD |
| | | C1 | | REVISED PER ECO-15-001489 | 30JAN2015 | AP | DD |



- ⚠ MATERIAL:
HOUSING: LCP, GLASS FILLED, UL94V-0.
TERMINALS: HIGH PERFORMANCE COPPER ALLOY.
- ⚠ FINISH:
30μ" MIN GOLD IN CONTACT AREA. SELECTIVE TIN ON PCB TAILS, NICKEL OVERALL.
- 3. SCREWS PACKAGED IN END OF PACKAGING TUBE.
- ⚠ FOR GROUNDED GUIDE PIN USE $\varnothing 3.56 \pm 0.08$ PTH, $\varnothing 3.66$ DRILL, AND $\varnothing 6.5$ PAD.



REFER TO WWW.TE.COM FOR PRODUCT AVAILABILITY

| | | |
|--------|-------|-------------|
| ⚠ | 5.5 | 2132569-2 |
| ⚠ | 4.9 | 2132569-1 |
| FINISH | DIM M | PART NUMBER |

| | | | | |
|--|--|---|---|--|
| THIS DRAWING IS A CONTROLLED DOCUMENT. | | DWN: KIRAN HOLH 22APR2013 | NAME: IMPACT, ORTHOGONAL, 3 PAIR, 6 COLUMN HEADER, LEFT GUIDED, OPEN END WALL SIGNAL MODULE, 0.46 PTH | |
| DIMENSIONS: mm | | CHK: D. DIXON 22APR2013 | PRODUCT SPEC | |
| TOLERANCES UNLESS OTHERWISE SPECIFIED: | | APVD: D. DIXON 22APR2013 | APPLICATION SPEC | |
| 0 PLC ± | | SIZE: CAGE CODE DRAWING NO: RESTRICTED TO | | |
| 1 PLC ±0.25 | | WEIGHT: A100779C=2132569 | | |
| 2 PLC ±0.13 | | SCALE: 6:1 SHEET 1 OF 1 REV: C1 | | |
| 3 PLC ± | | Customer Drawing | | |
| 4 PLC ± | | | | |
| ANGLES ± | | | | |
| FINISH: SEE TABLE | | | | |