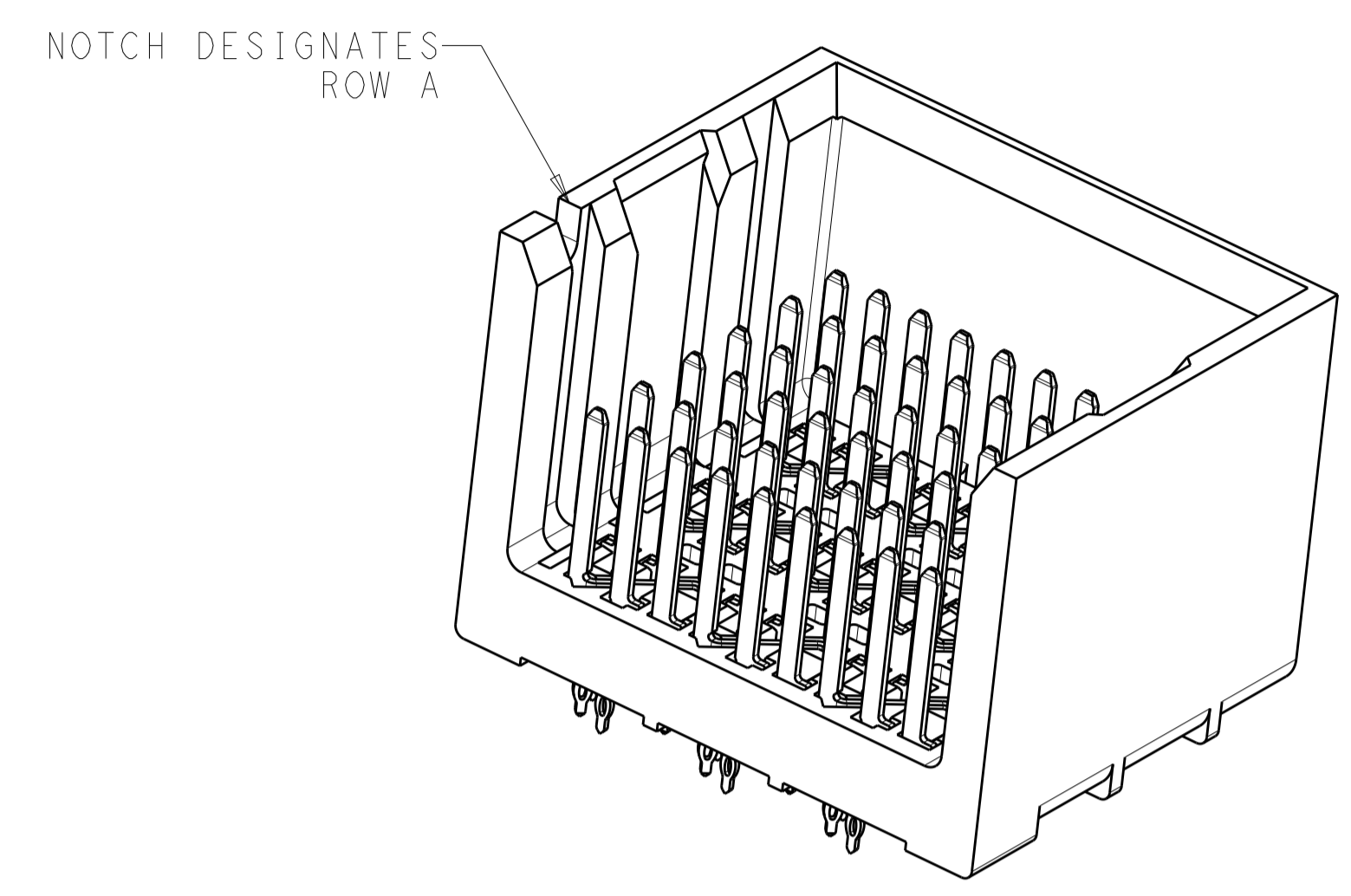
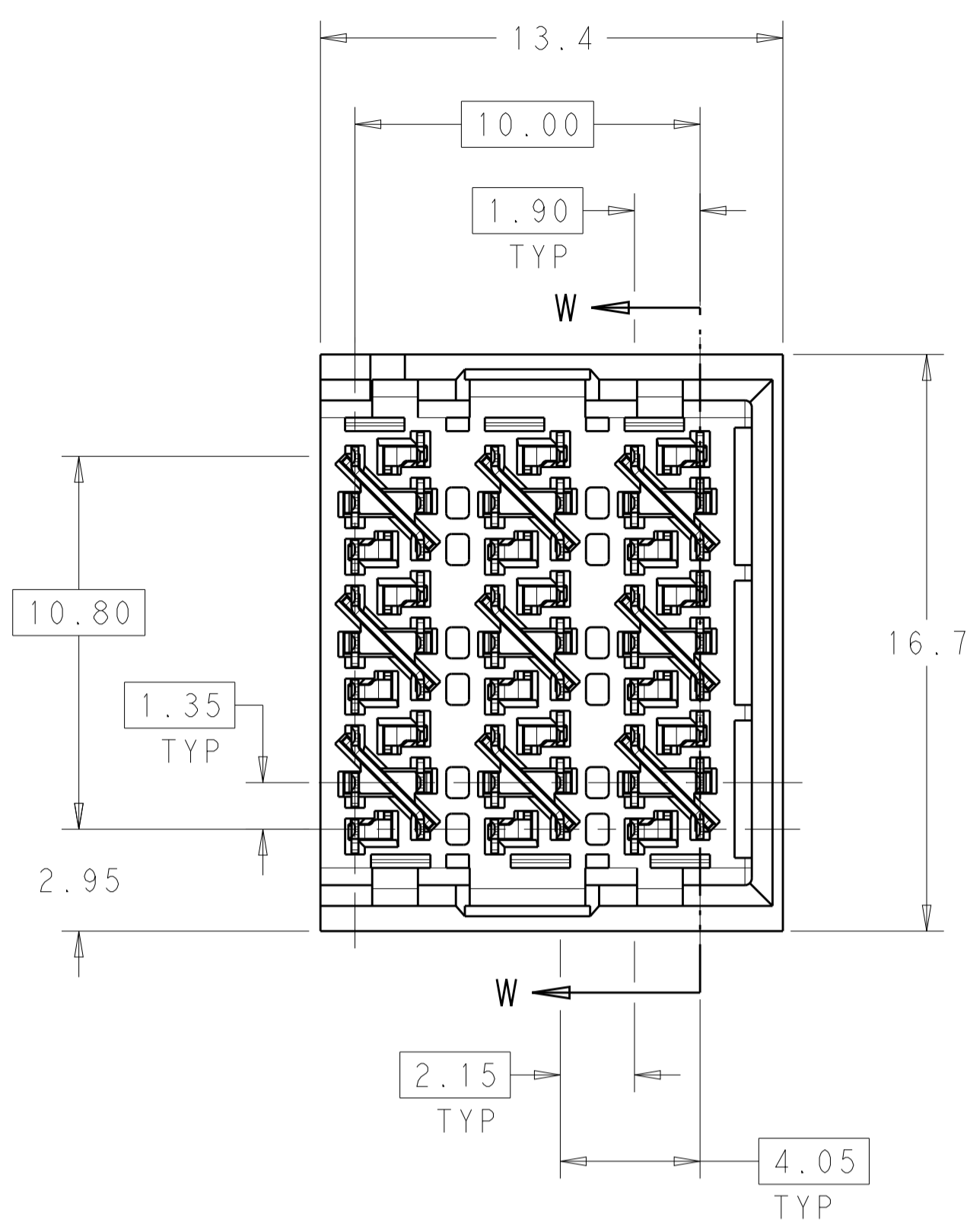
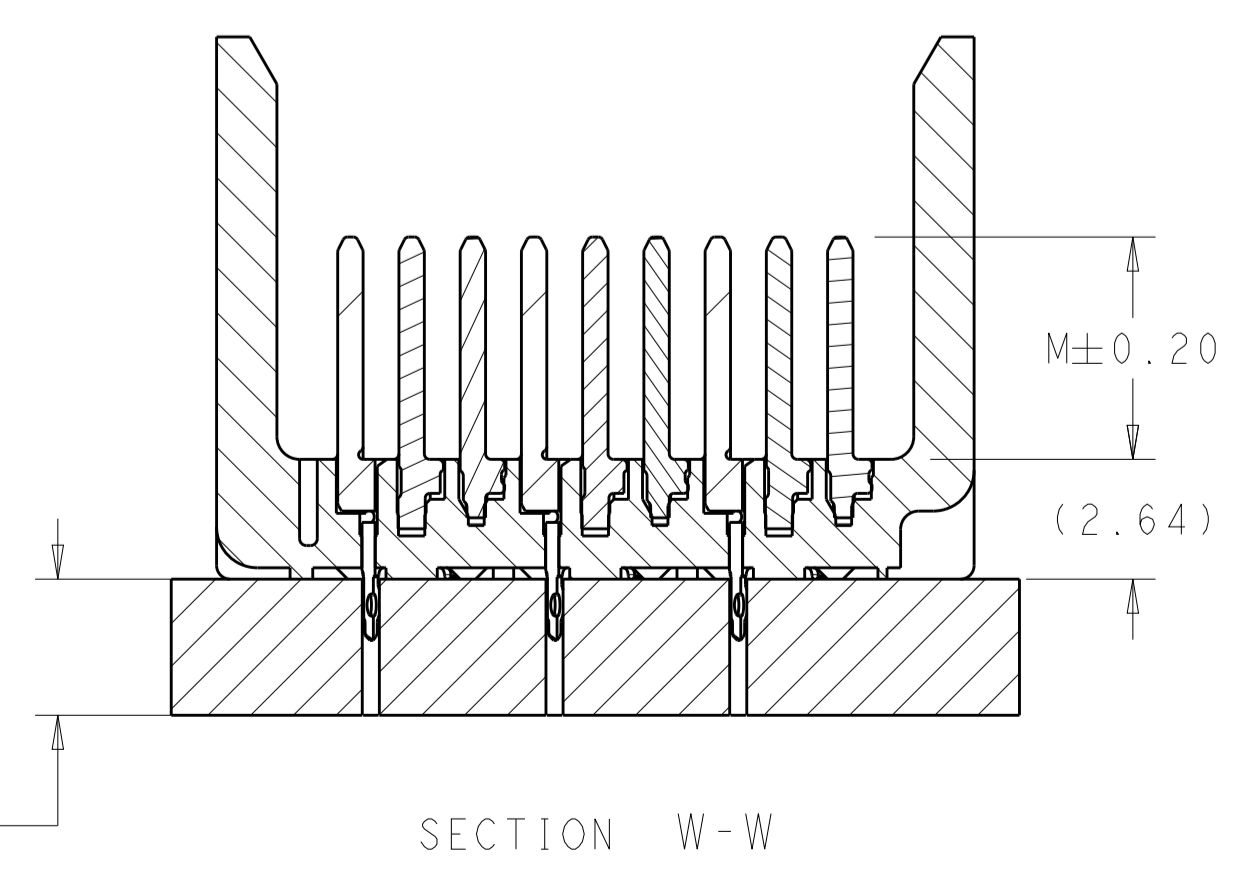
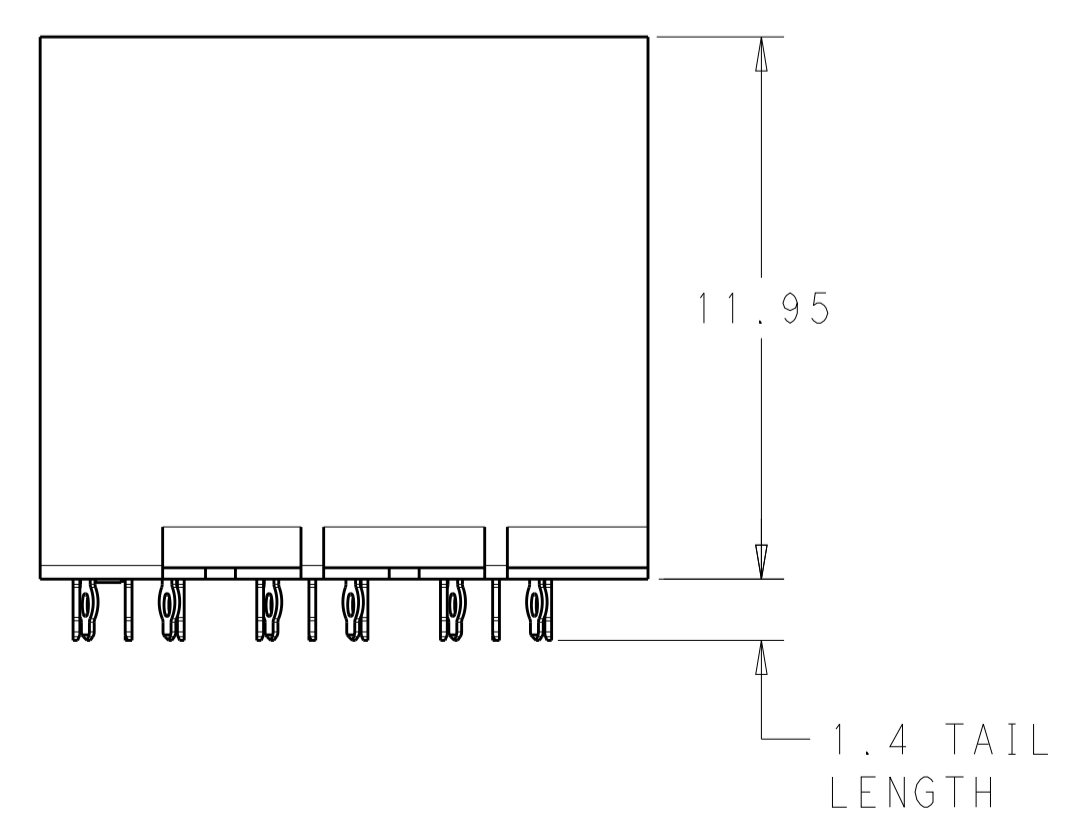
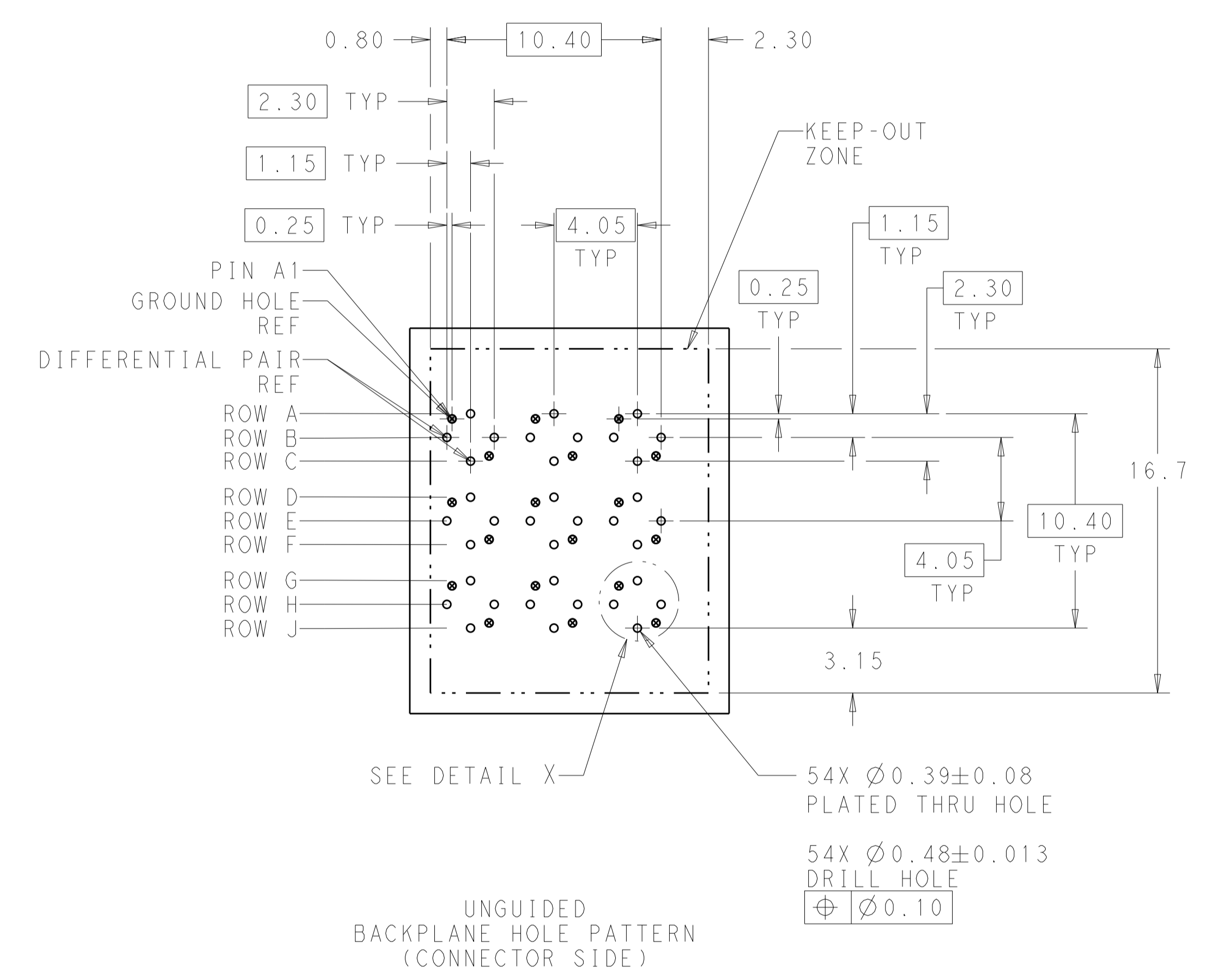
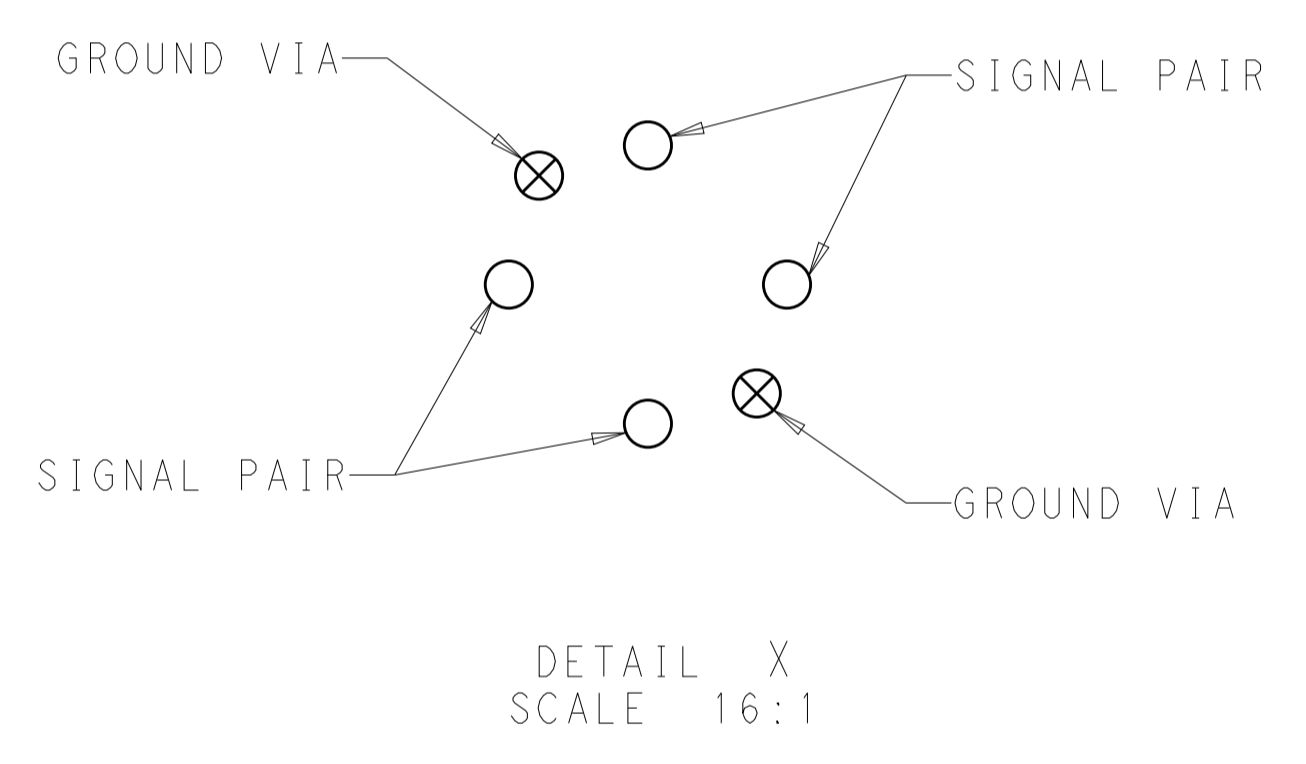


LOC		DIST		REVISIONS			
P	LTN	DATE	DMN	APVD			
C1		REVISED PER ECO-15-001489	30JAN2015	AP	DD		



- ⚠ MATERIAL:
HOUSING: LCP, GLASS FILLED, UL94V-0.
TERMINALS: HIGH PERFORMANCE COPPER ALLOY.
- ⚠ FINISH:
30μ" MIN GOLD IN CONTACT AREA. SELECTIVE TIN ON PCB TAILS, NICKEL OVERALL.



REFER TO WWW.TE.COM FOR PRODUCT AVAILABILITY

2	5.5	PART_NO: 19-2
2	4.9	PART_NO: 19-1
FINISH	DIM M	PART NUMBER

THIS DRAWING IS A CONTROLLED DOCUMENT.		DMN KIRAN HOLAL 15MAY2013	TE Connectivity
DIMENSIONS:		CHK D. DIXON 15MAY2013	
mm	0 PLC ±	PRODUCT SPEC	NAME IMPACT, ORTHOGONAL, 3 PAIR, 6 COLUMN HEADER, UNGUIDED, RIGHT END WALL SIGNAL MODULE, 0.39 PTH
	1 PLC ±0.25	APPLICATION SPEC	
	2 PLC ±0.13	SIZE CAGE CODE DRAWING NO	
	3 PLC ±	RESTRICTED TO	
	4 PLC ±	WEIGHT	A100779C=2132568
	5 PLC ±	Customer Drawing	SCALE 6:1 SHEET 1 OF 1 REV C1
	ANGLES		
MATERIAL	FINISH		
	SEE TABLE		