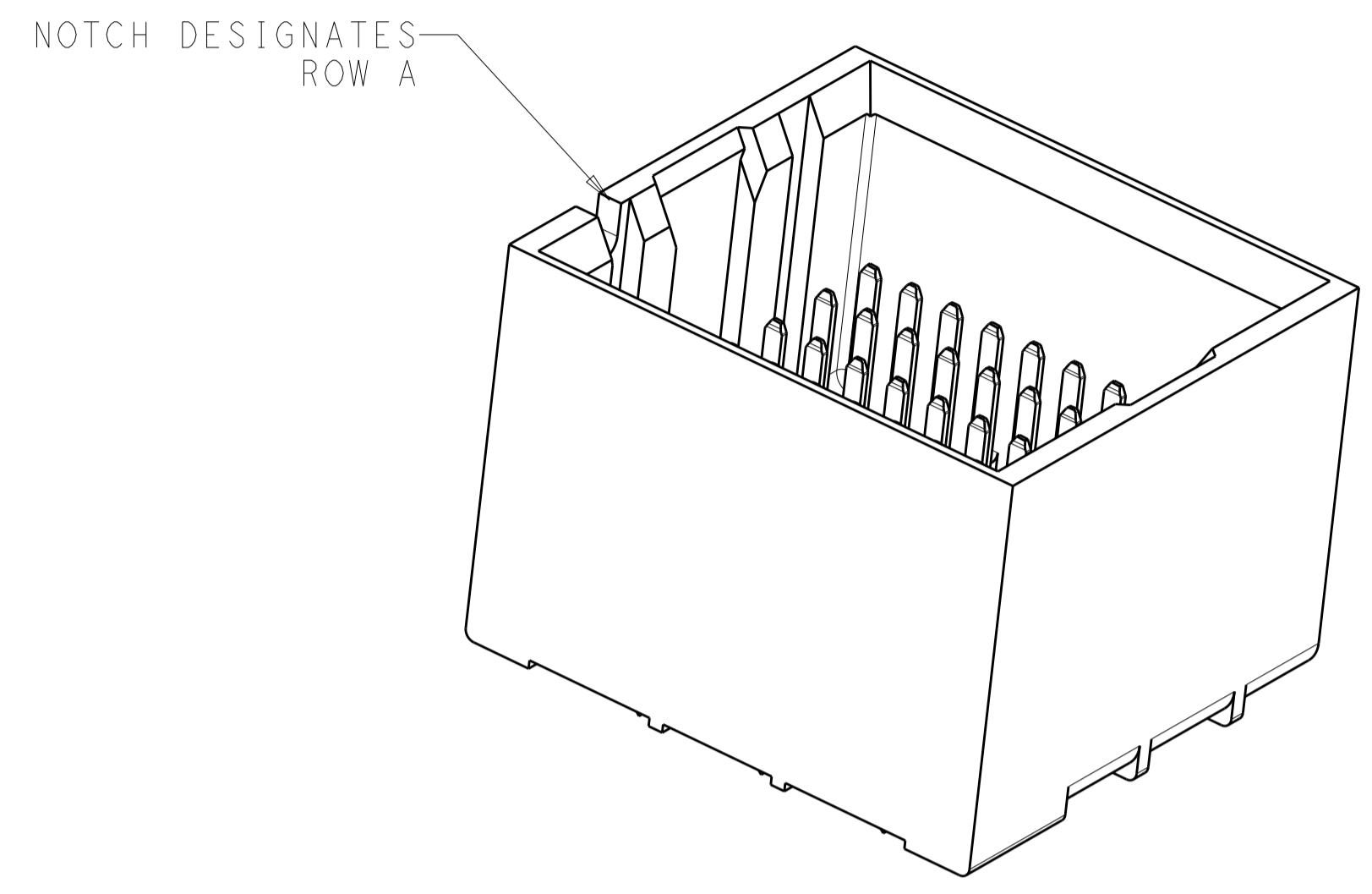
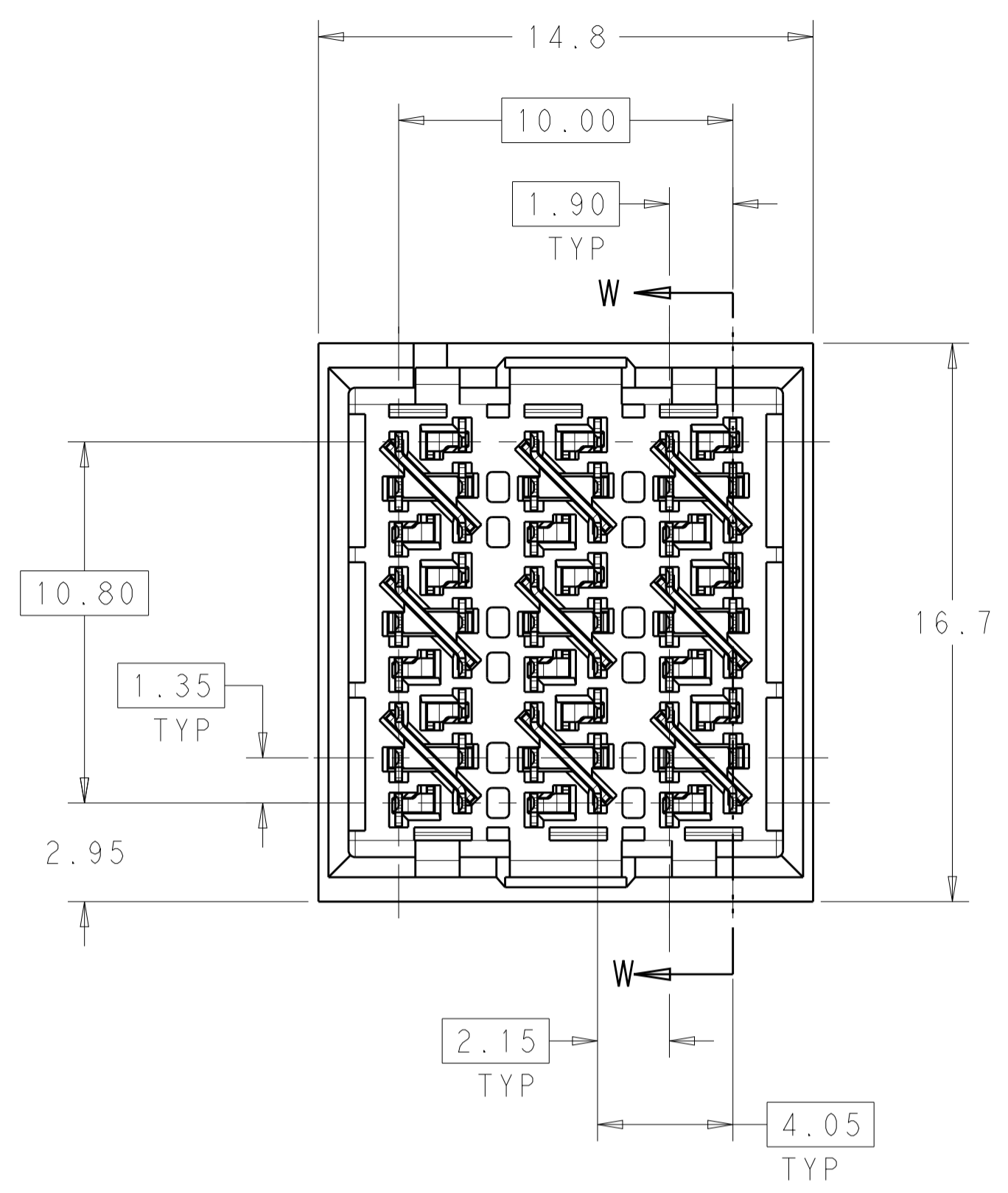
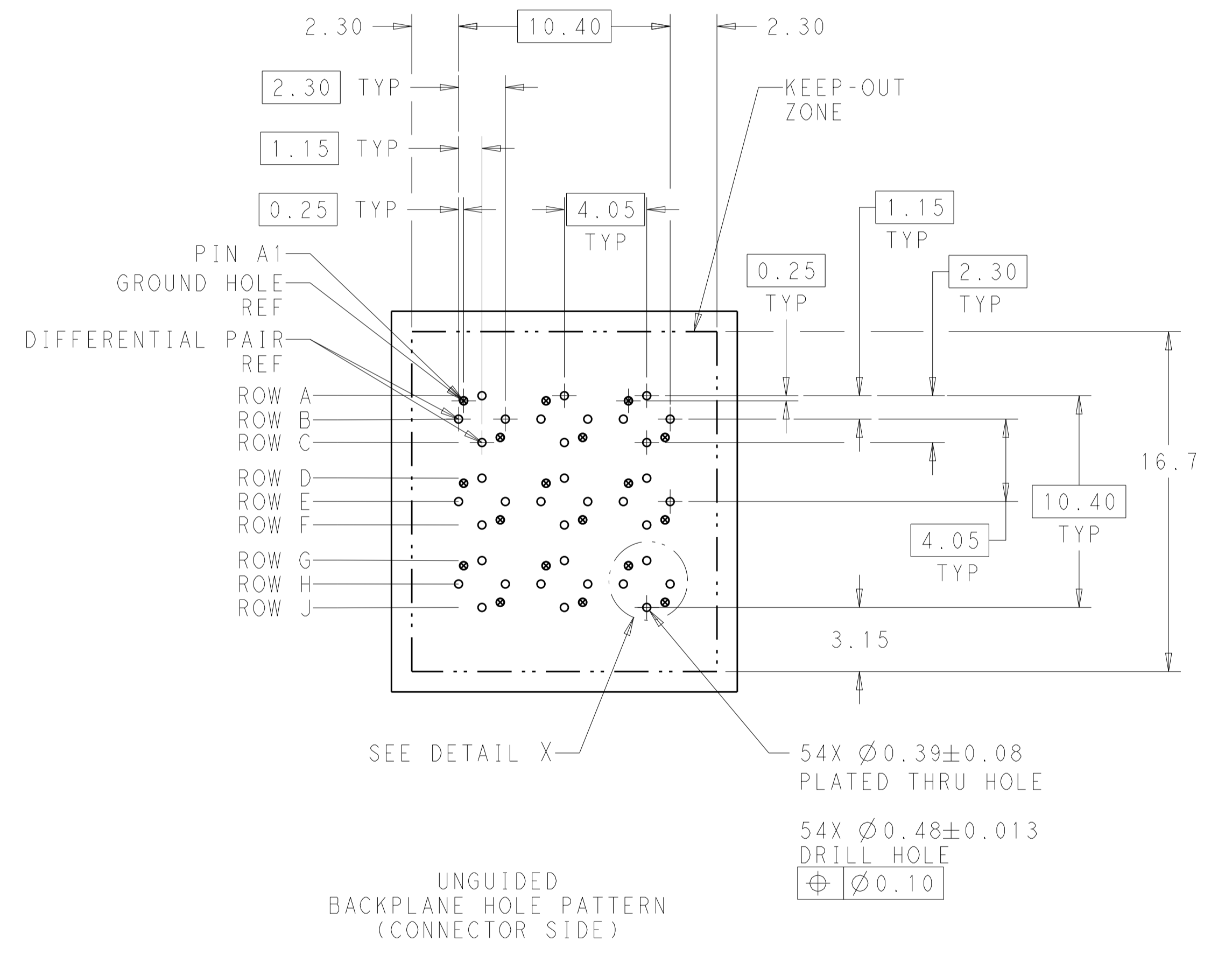
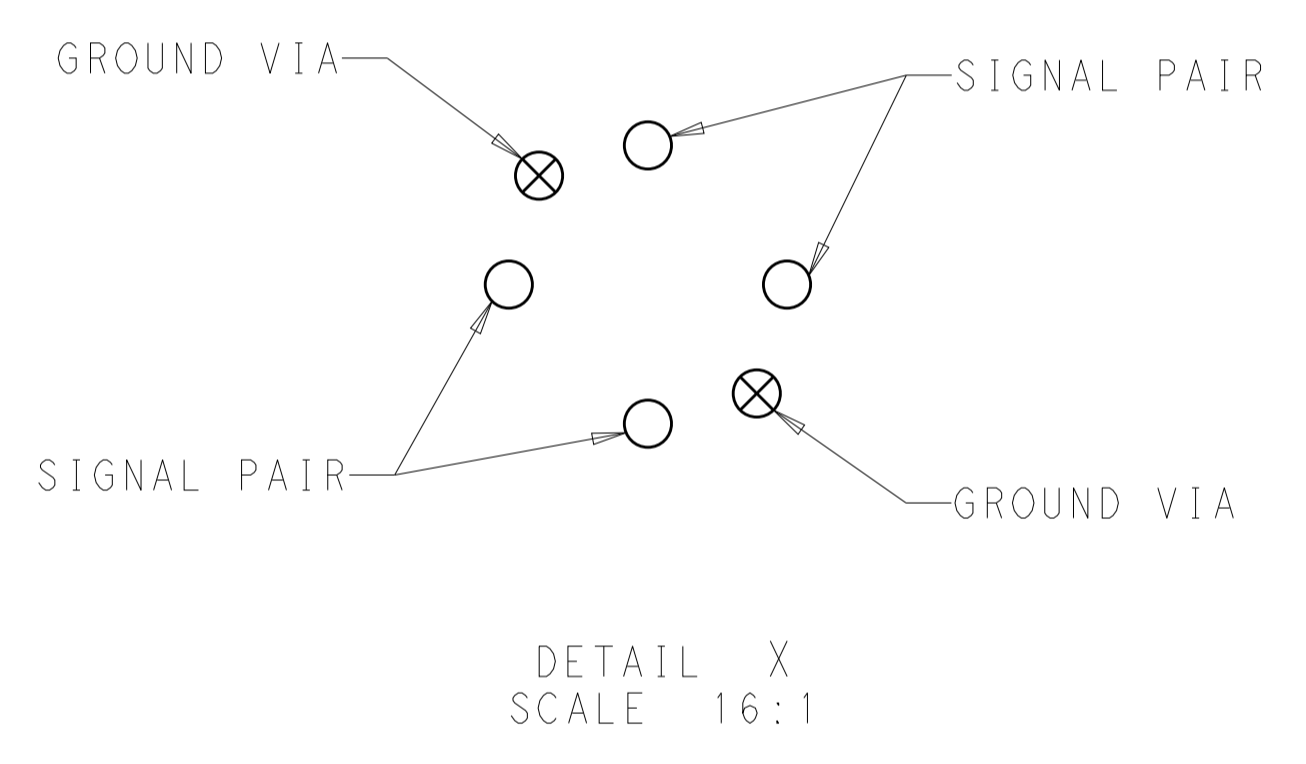


LOC		DIST		REVISIONS			
P	LTN	DESCRIPTION	DATE	DWN	APVD		
C1		REVISED PER ECO-15-001489	30JAN2015	AP	DD		

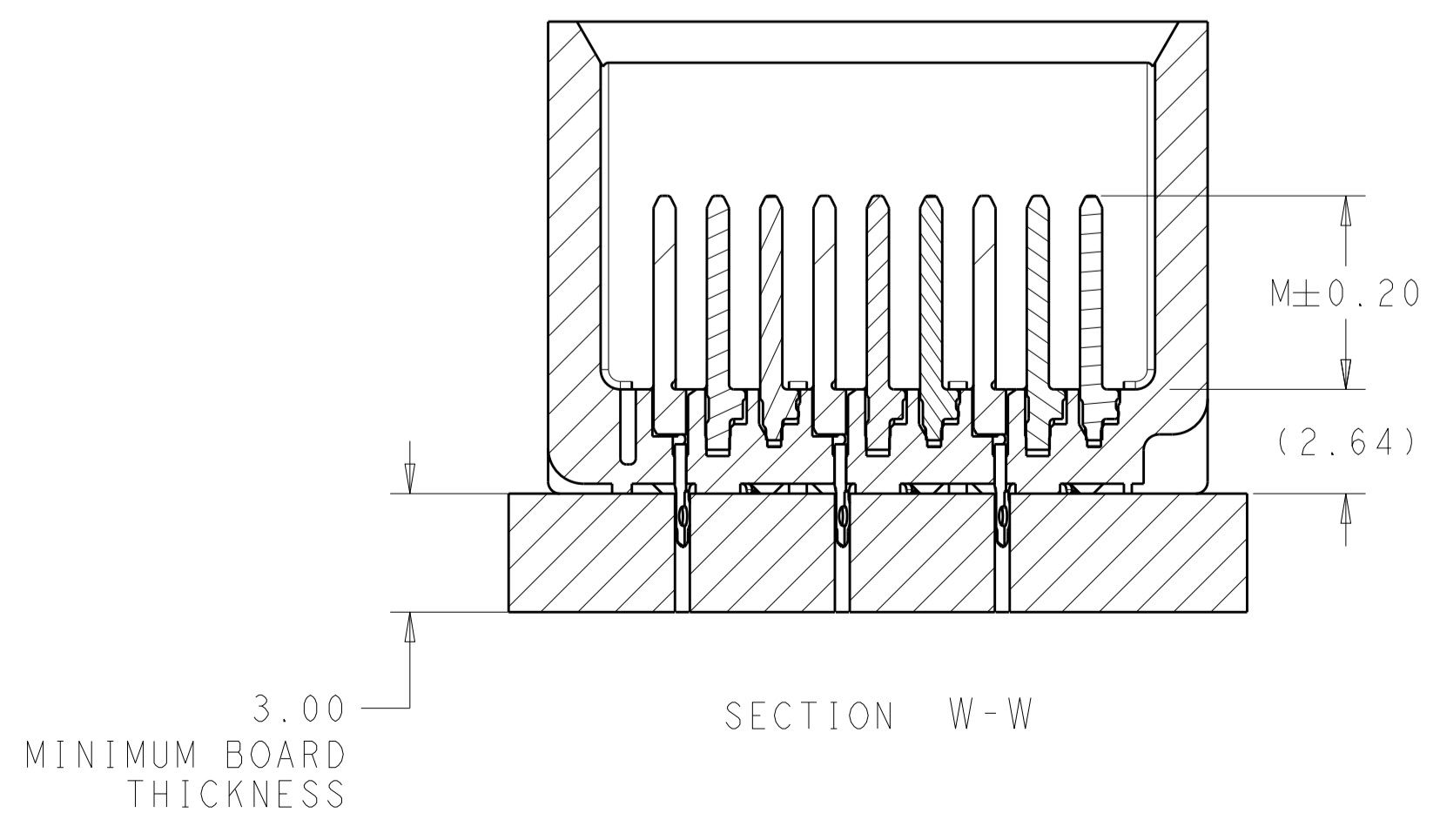
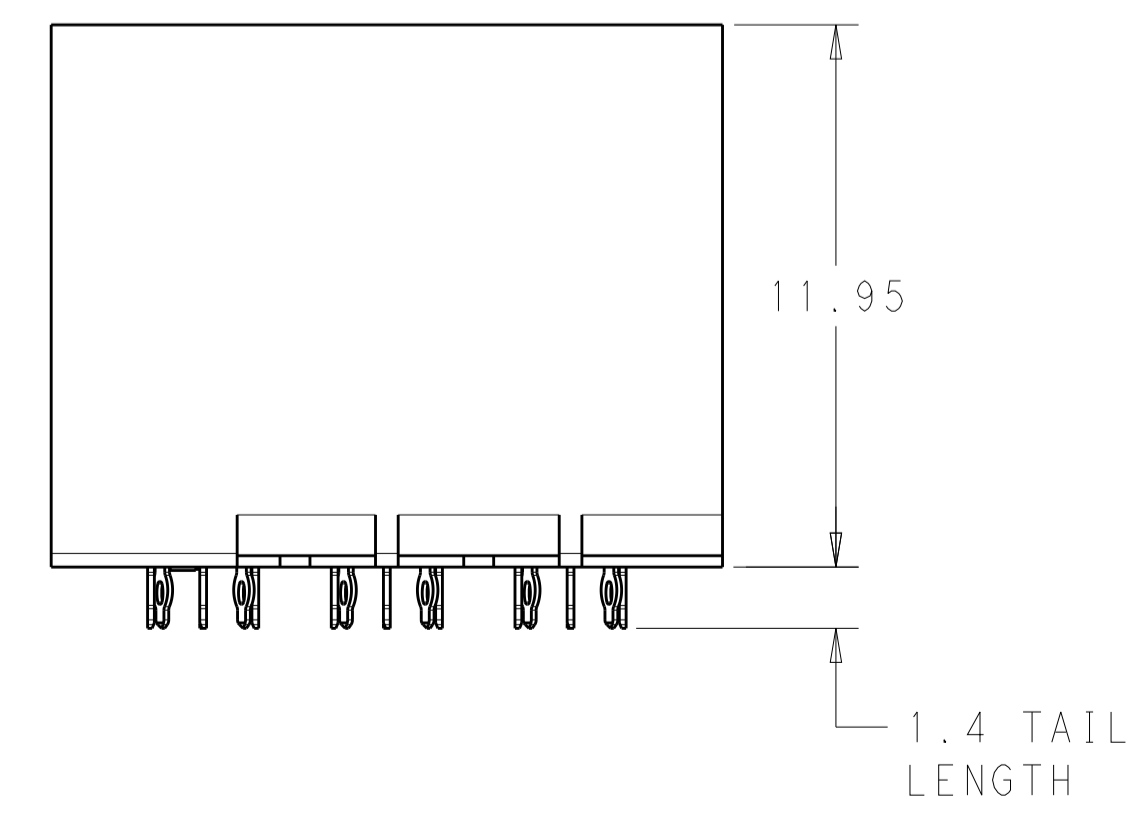


- 1 MATERIAL:  
HOUSING: LCP, GLASS FILLED, UL94V-0.  
TERMINALS: HIGH PERFORMANCE COPPER ALLOY.
- 2 FINISH:  
30μ" MIN GOLD IN CONTACT AREA. SELECTIVE TIN ON PCB TAILS, NICKEL OVERALL.



REFER TO WWW.TE.COM FOR PRODUCT AVAILABILITY

2	5.5	2132567-2
2	4.9	2132567-1
FINISH	DIM M	PART NUMBER



THIS DRAWING IS A CONTROLLED DOCUMENT.

DIMENSIONS:	TOLERANCES UNLESS OTHERWISE SPECIFIED:	DWN: R. IRAN HOLA 15MAY2013	CHK: D. DIXON 15MAY2013	APVD: D. DIXON 15MAY2013
mm	0 PLC ±0.25 1 PLC ±0.13 3 PLC ±0.13 4 PLC ±0.13 ANGLES ±0.13	NAME: IMPACT, ORTHOGONAL, 3 PAIR, 6 COLUMN HEADER, UNGUIDED, DUAL END WALL SIGNAL MODULE, 0.39 PTH	PRODUCT SPEC	APPLICATION SPEC
MATERIAL	FINISH: SEE TABLE	SIZE: A100779	CAGE CODE: C=2132567	RESTRICTED TO: -
		WEIGHT: -	Customer Drawing	SCALE: 6:1 SHEET 1 OF 1 REV: C1

TE Connectivity