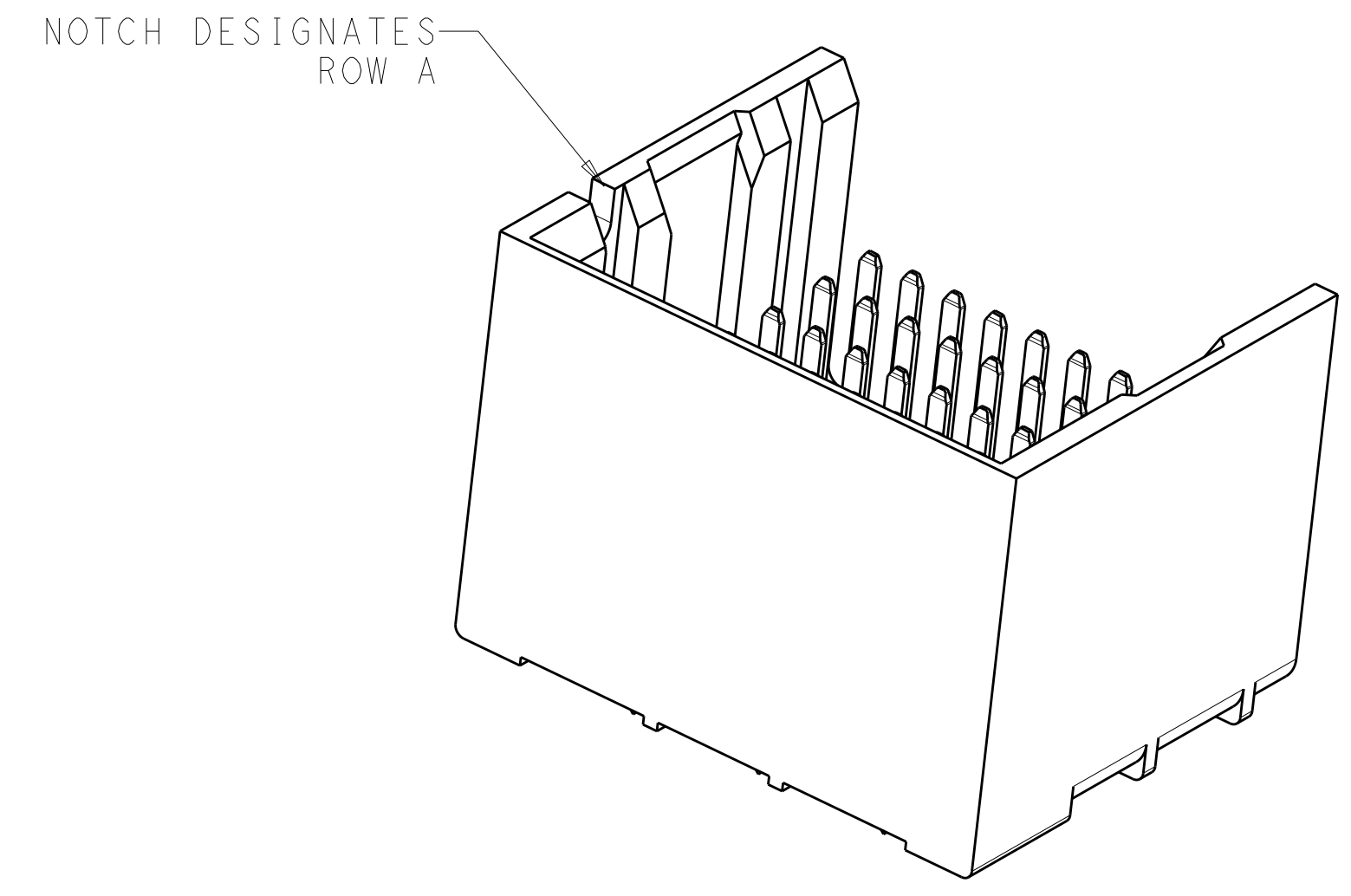
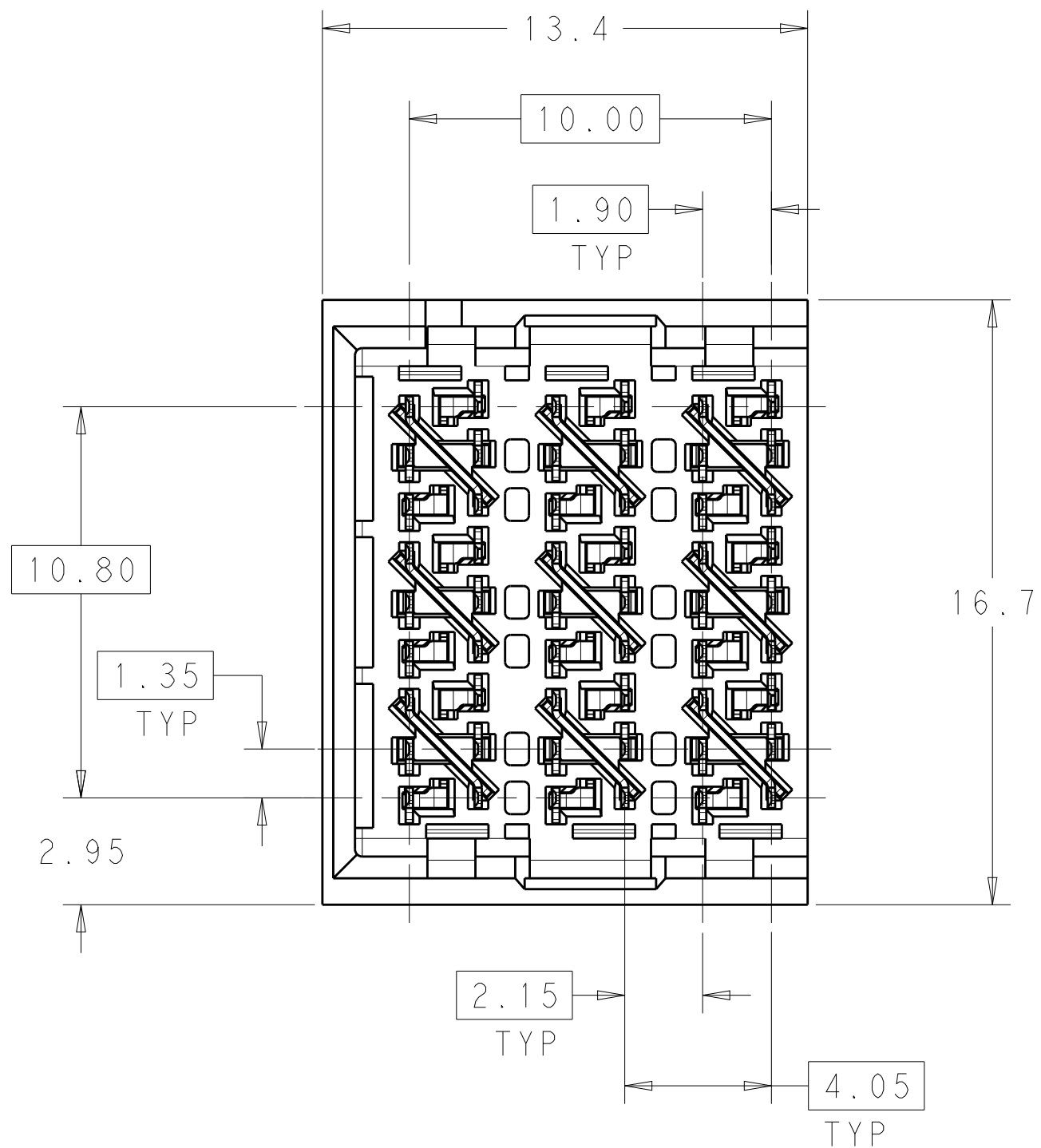
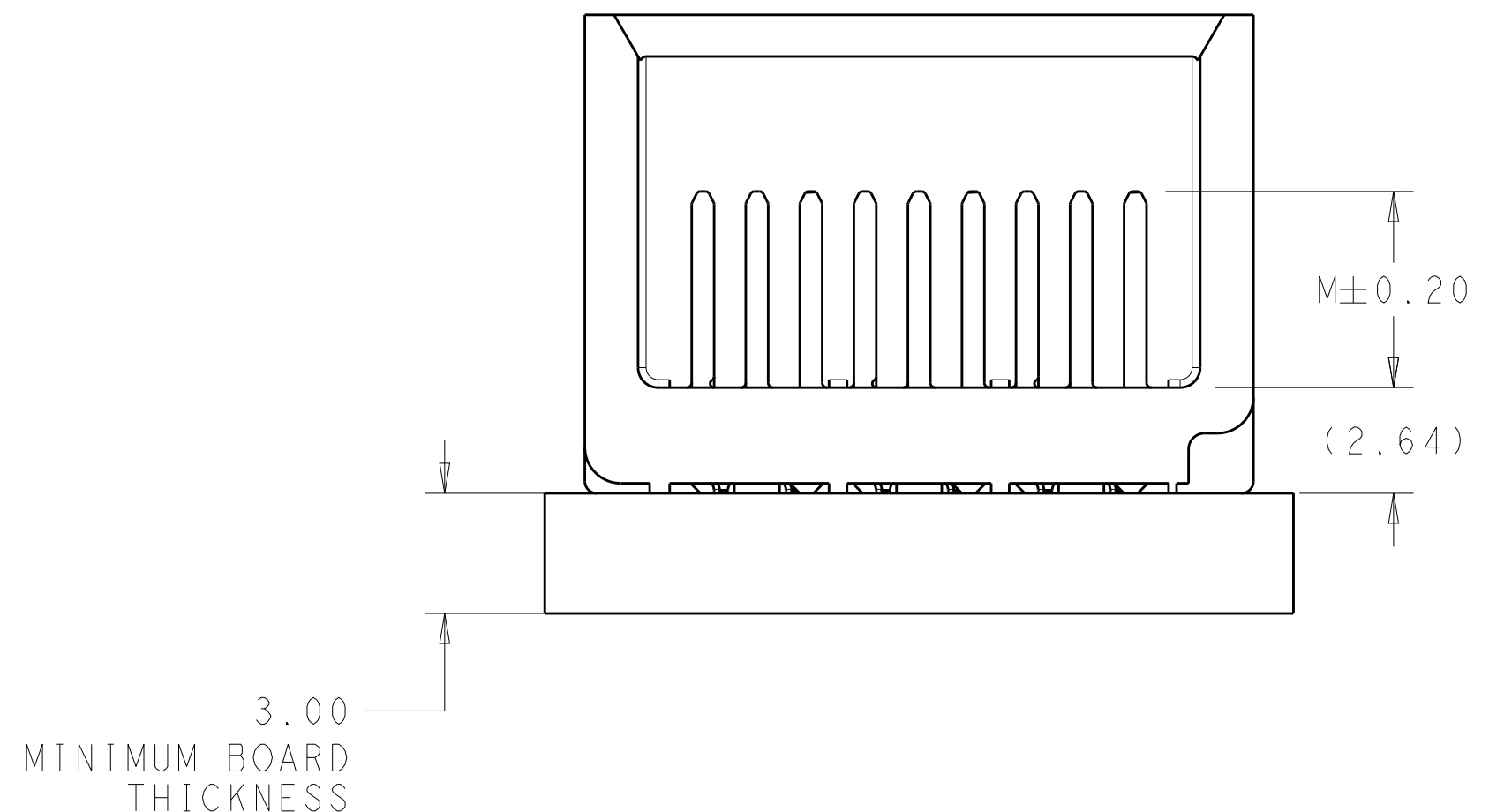
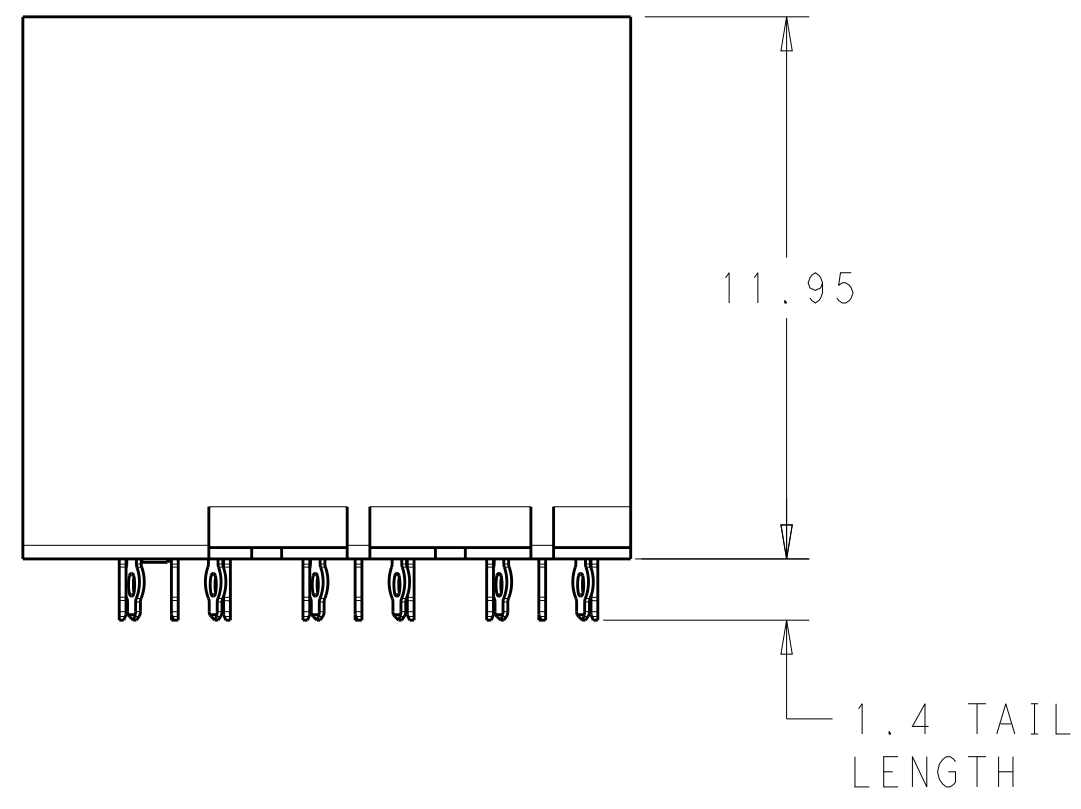
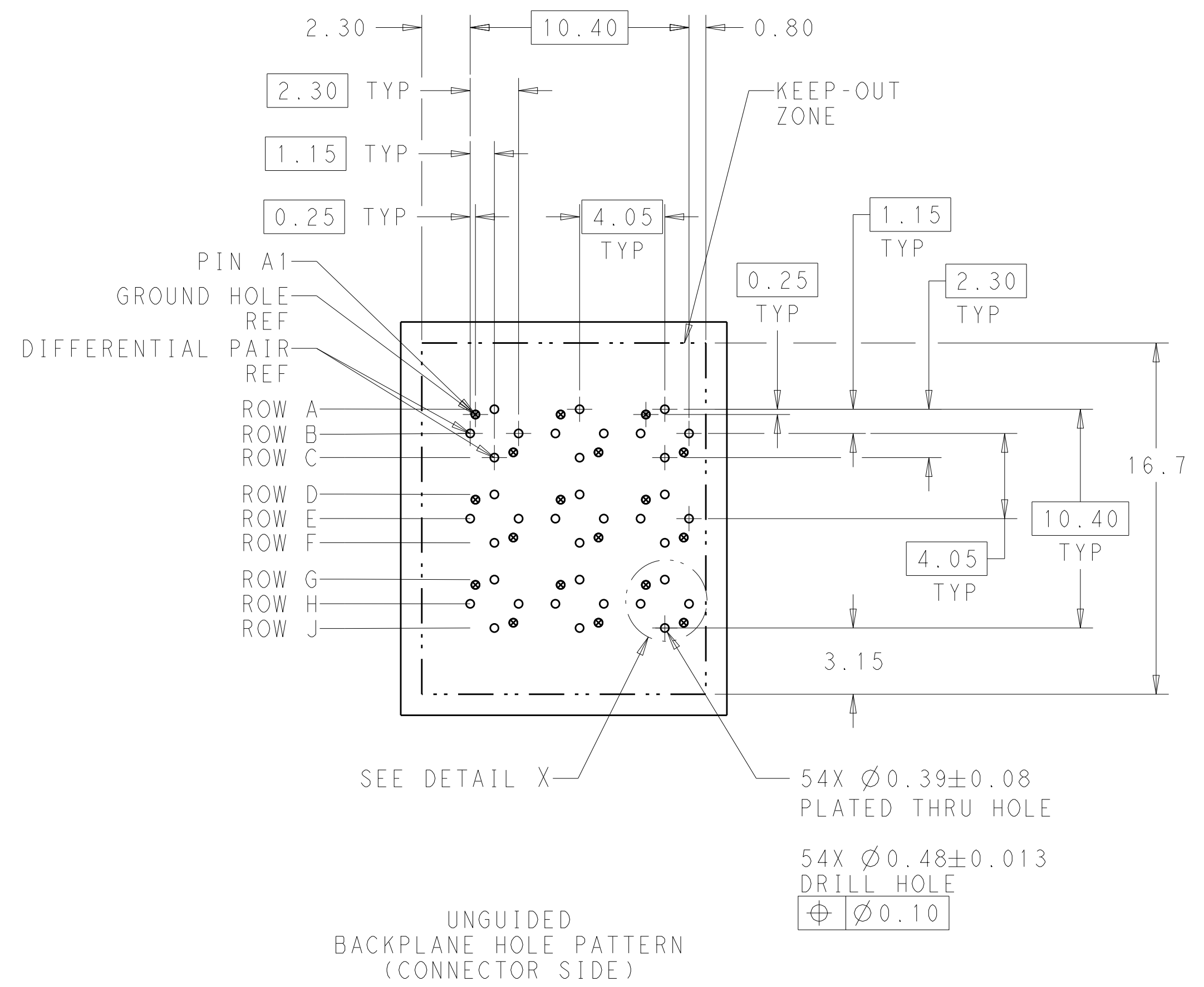
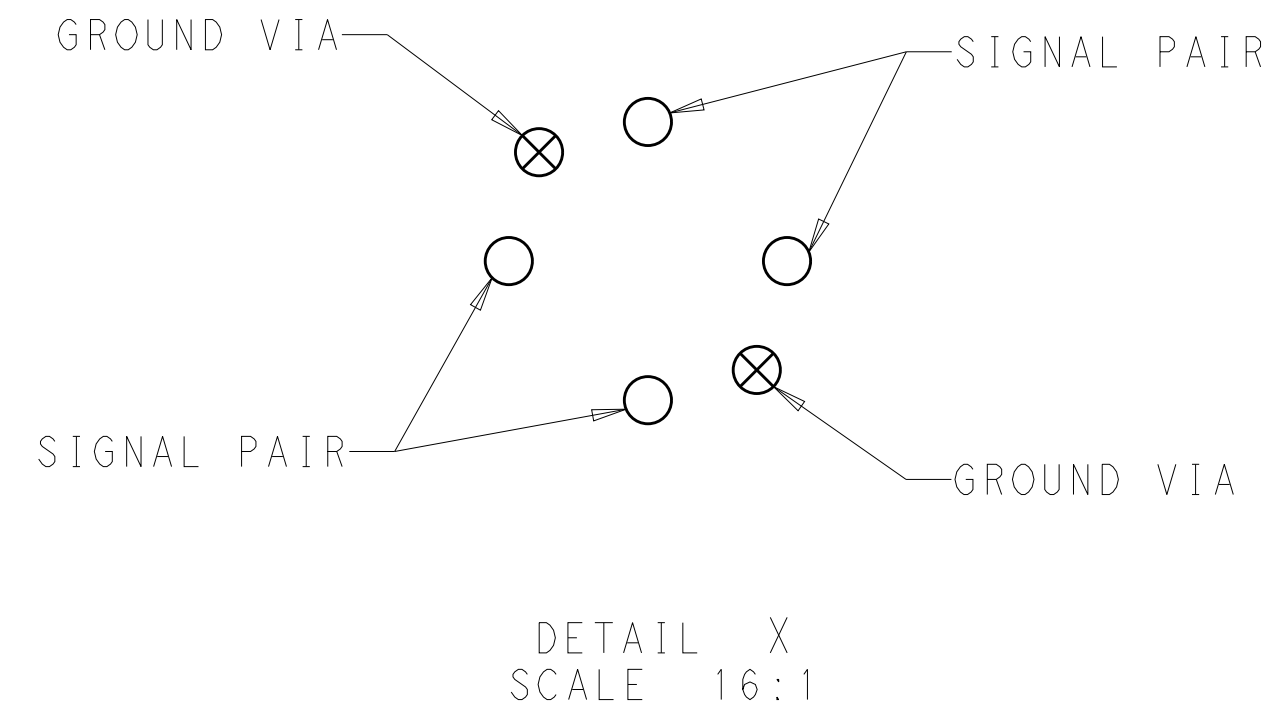


LOC		DIST		REVISIONS			
P	LTN	DESCRIPTION	DATE	DWN	APVD		
C1		REVISED PER ECO-15-001489	30JAN2015	AP	DD		



1 MATERIAL:  
 HOUSING: LCP, GLASS FILLED, UL94V-0.  
 TERMINALS: HIGH PERFORMANCE COPPER ALLOY.

2 FINISH:  
 30µ" MIN GOLD IN CONTACT AREA. SELECTIVE TIN  
 ON PCB TAILS, NICKEL OVERALL.



REFER TO WWW.TE.COM  
 FOR PRODUCT AVAILABILITY

2	5.5	2132566-2
2	4.9	2132566-1
FINISH	DIM M	PART NUMBER

DIMENSIONS:		TOLERANCES UNLESS OTHERWISE SPECIFIED:		MATERIAL:		FINISH:	
mm	0 PLC	±		SEE TABLE			
	1 PLC	±0.25					
	2 PLC	±0.13					
	3 PLC	±					
	4 PLC	±					
	ANGLES	±					

THIS DRAWING IS A CONTROLLED DOCUMENT.	DWN: KIRAN HOLAL 15MAY2013	CHK: D. DIXON 15MAY2013	APVD: D. DIXON 15MAY2013	NAME: IMPACT, ORTHOGONAL, 3 PAIR, 6 COLUMN HEADER, UNGUIDED, LEFT END WALL SIGNAL MODULE, 0.39 PTH
	SIZE: A	CAGE CODE: 100779	DRAWING NO: C=2132566	RESTRICTED TO: -
	WEIGHT: -	SCALE: 6:1	SHEET: 1	OF: 1
	Customer Drawing			REV: C1