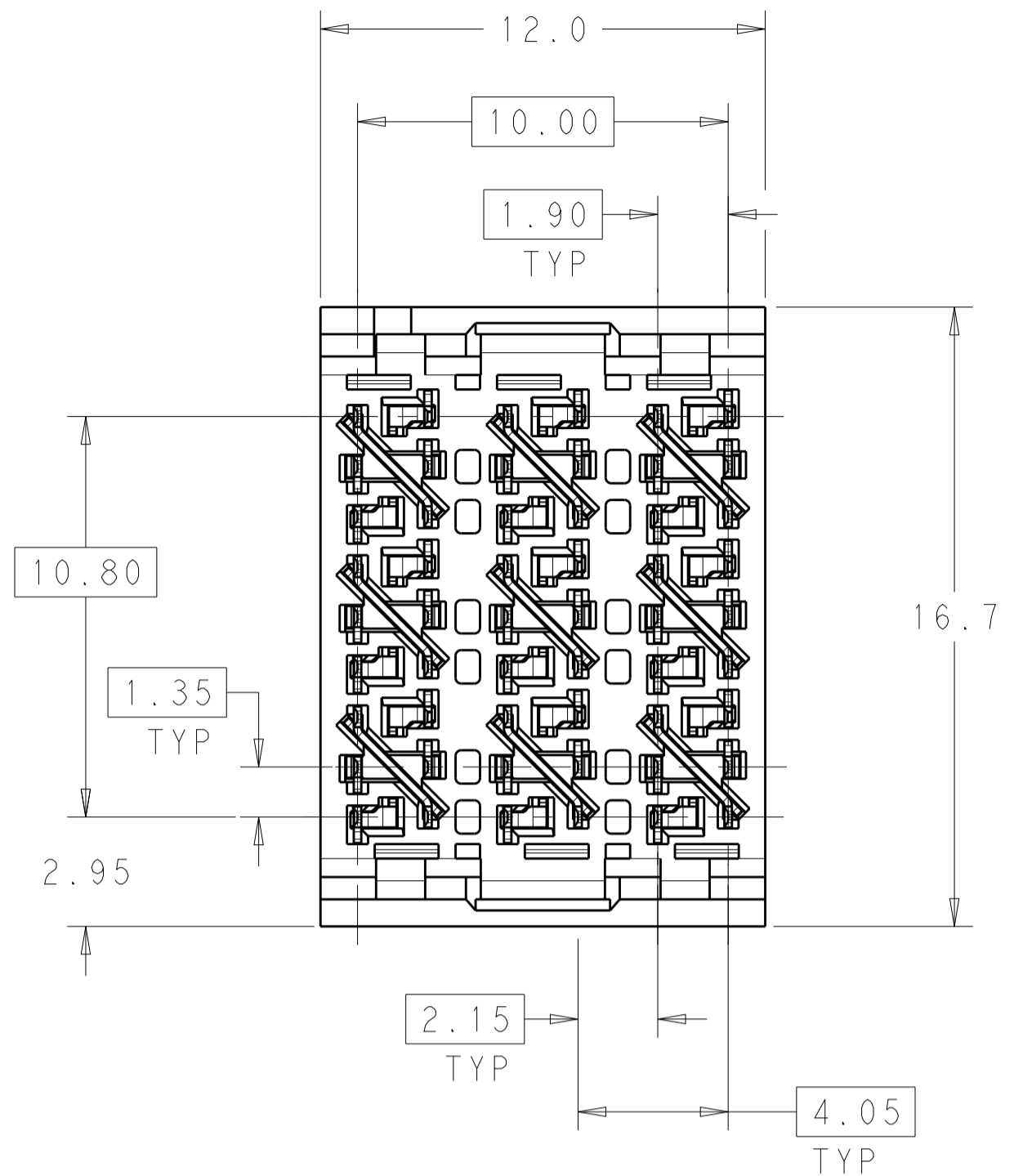
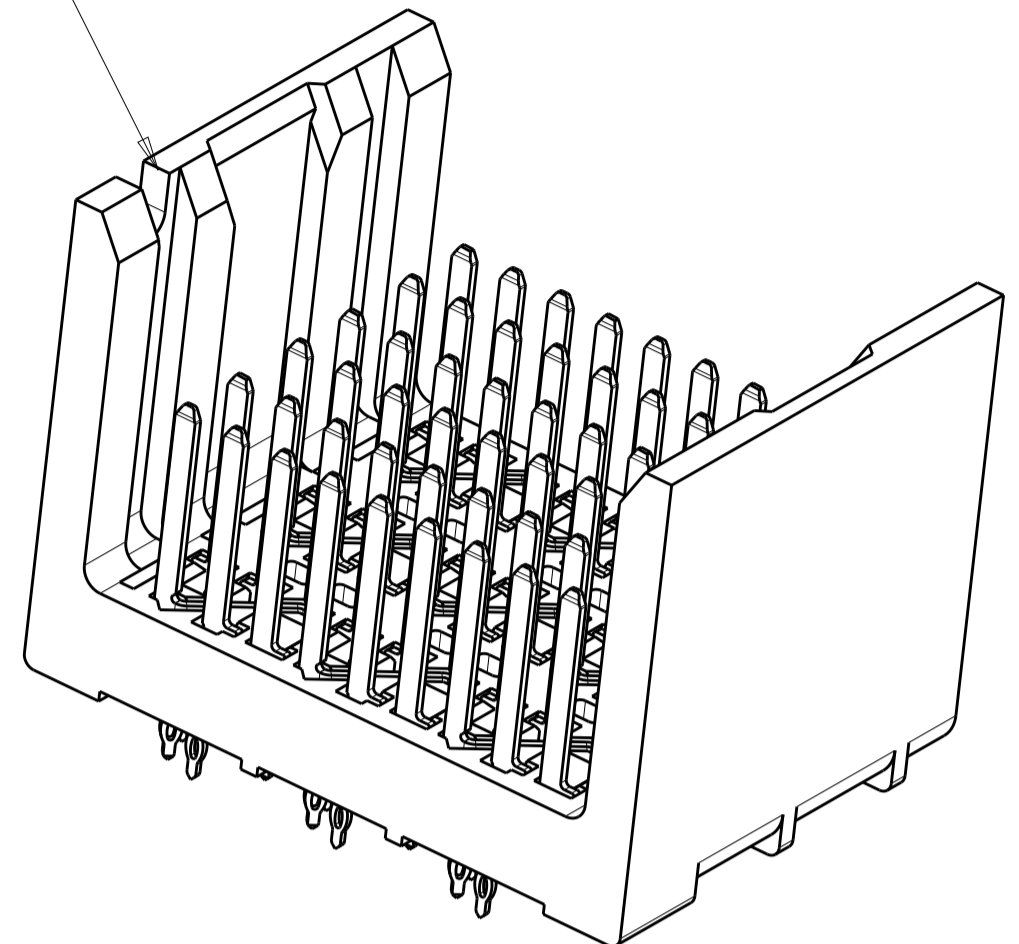


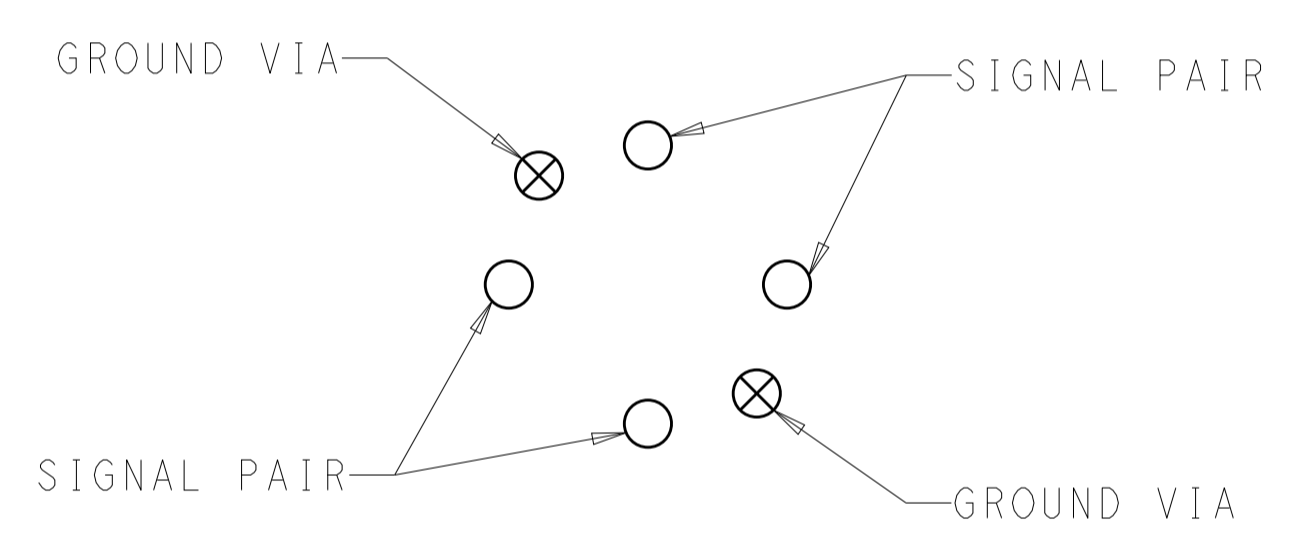
LOC		DIST		REVISIONS			
AD	00	P	LTN	DESCRIPTION	DATE	DWN	APVD
		C1		REVISED PER ECO-15-001489	30JAN2015	AP	DD



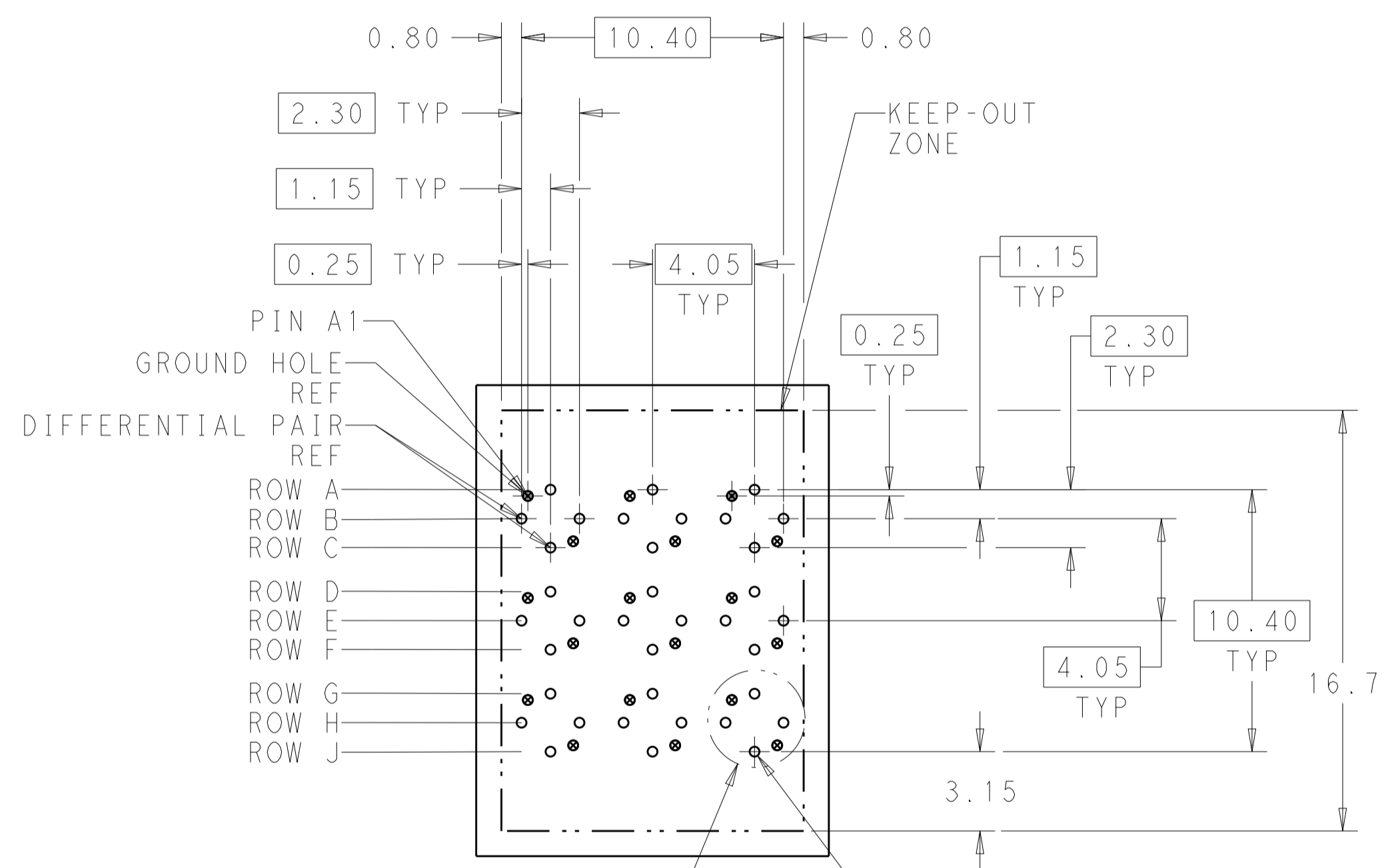
NOTCH DESIGNATES ROW A



- 1 MATERIAL:
HOUSING: LCP, GLASS FILLED, UL94V-0.
TERMINALS: HIGH PERFORMANCE COPPER ALLOY.
- 2 FINISH:
30μ" MIN GOLD IN CONTACT AREA. SELECTIVE TIN ON PCB TAILS, NICKEL OVERALL.

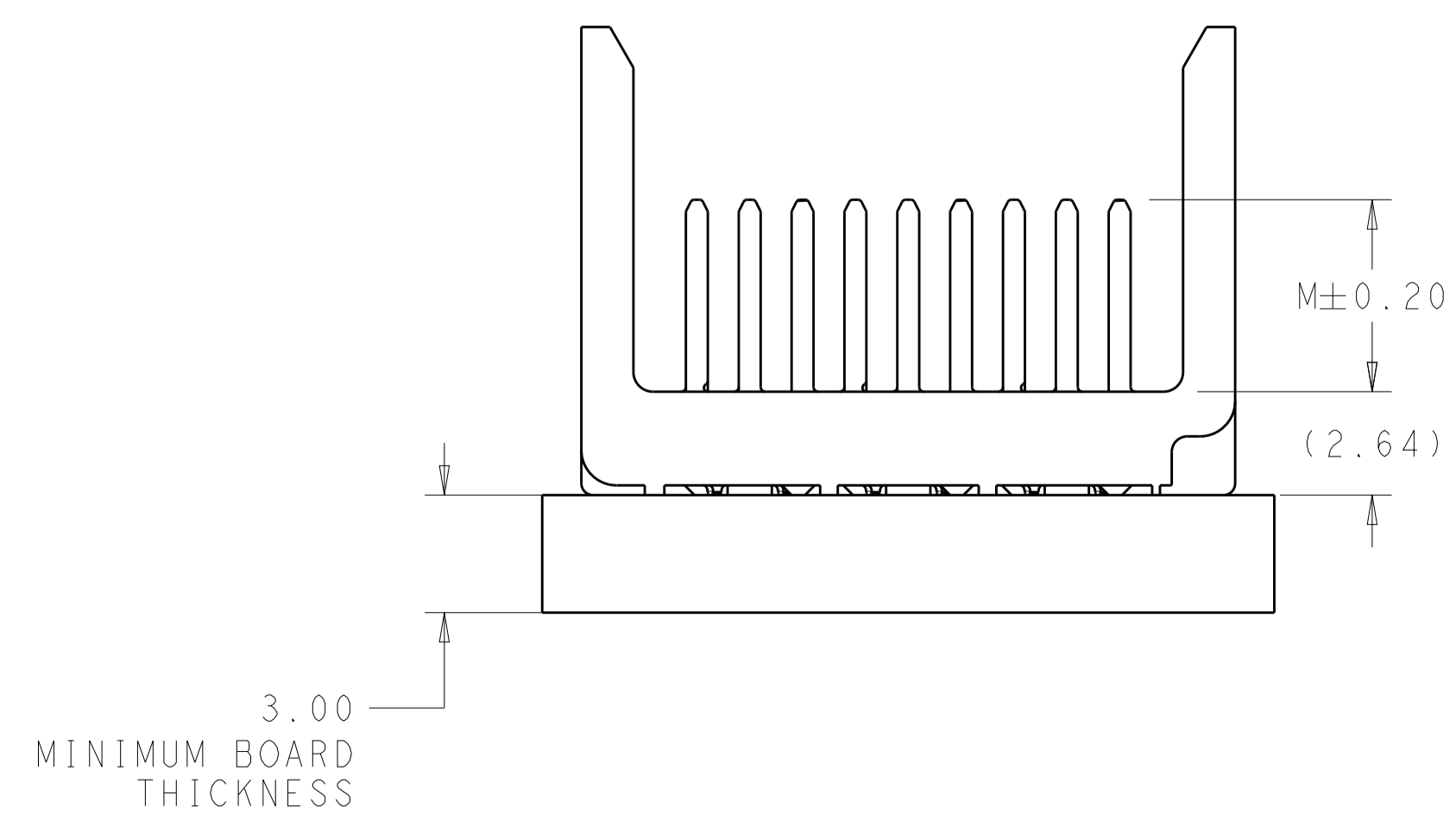
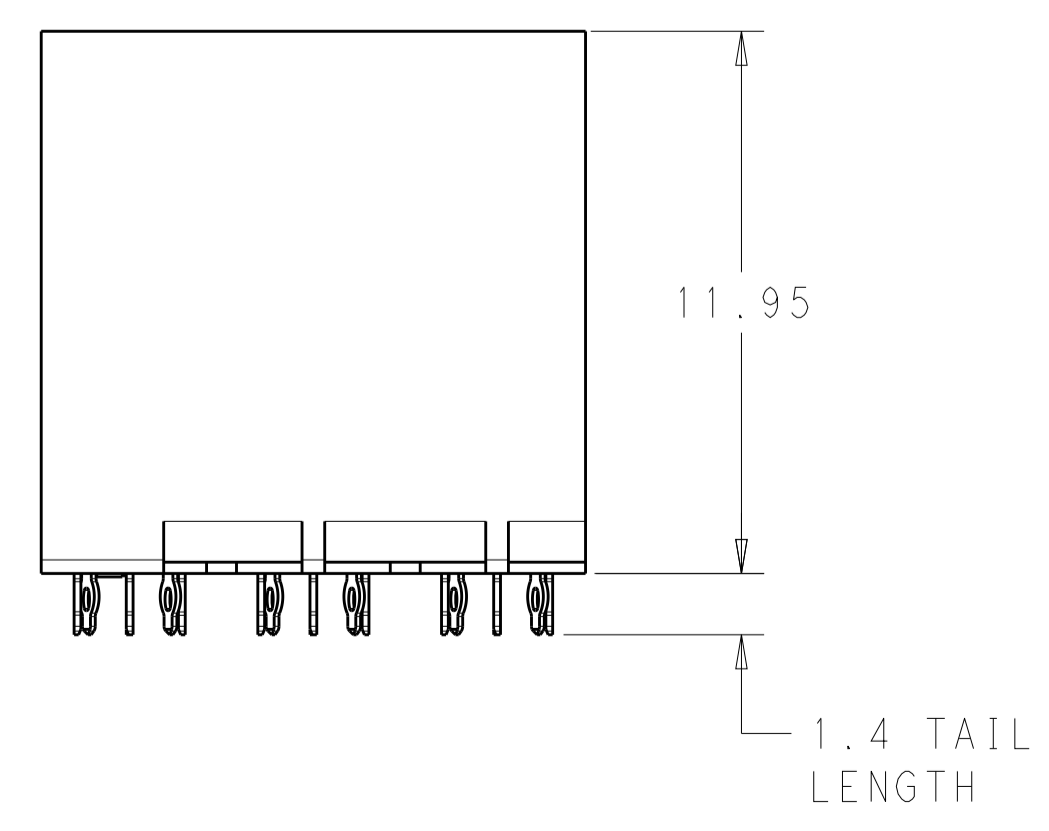


DETAIL X
SCALE 16:1



UNGUIDED BACKPLANE HOLE PATTERN (CONNECTOR SIDE)
 54X $\varnothing 0.39 \pm 0.08$ PLATED THRU HOLE
 54X $\varnothing 0.48 \pm 0.013$ DRILL HOLE
 $\varnothing 0.10$

REFER TO WWW.TE.COM FOR PRODUCT AVAILABILITY



2	5.5	2132565-2
2	4.9	2132565-1
FINISH	DIM M	PART NUMBER

THIS DRAWING IS A CONTROLLED DOCUMENT.		DWN: KIRAN HOLAL 15MAY2013	TE Connectivity NAME: IMPACT, ORTHOGONAL, 3 PAIR, 6 COLUMN HEADER, UNGUIDED, OPEN END WALL SIGNAL MODULE, 0.39 PTH SIZE: CAGE CODE DRAWING NO: A100779 ©=2132565 RESTRICTED TO:
DIMENSIONS: mm		CHK: D. DIXON 15MAY2013	
TOLERANCES UNLESS OTHERWISE SPECIFIED:		APVD: D. DIXON 15MAY2013	Customer Drawing
0 PLC	±	PRODUCT SPEC	SCALE 6:1 SHEET 1 OF 1 REV C1
2 PLC	±0.25	APPLICATION SPEC	
3 PLC	±0.13		
4 PLC	±		
ANGLES	±		
MATERIAL	SEE TABLE		