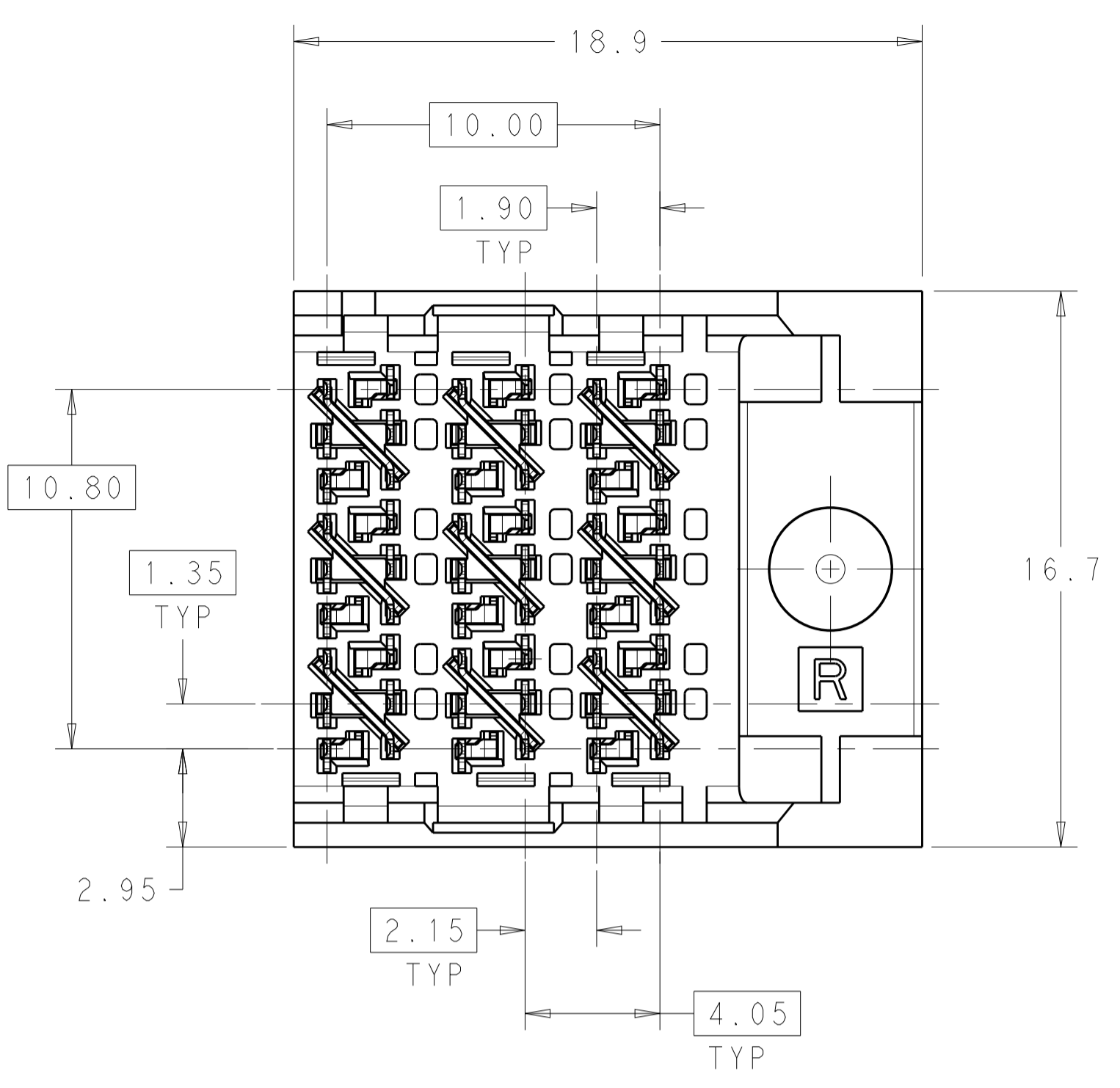
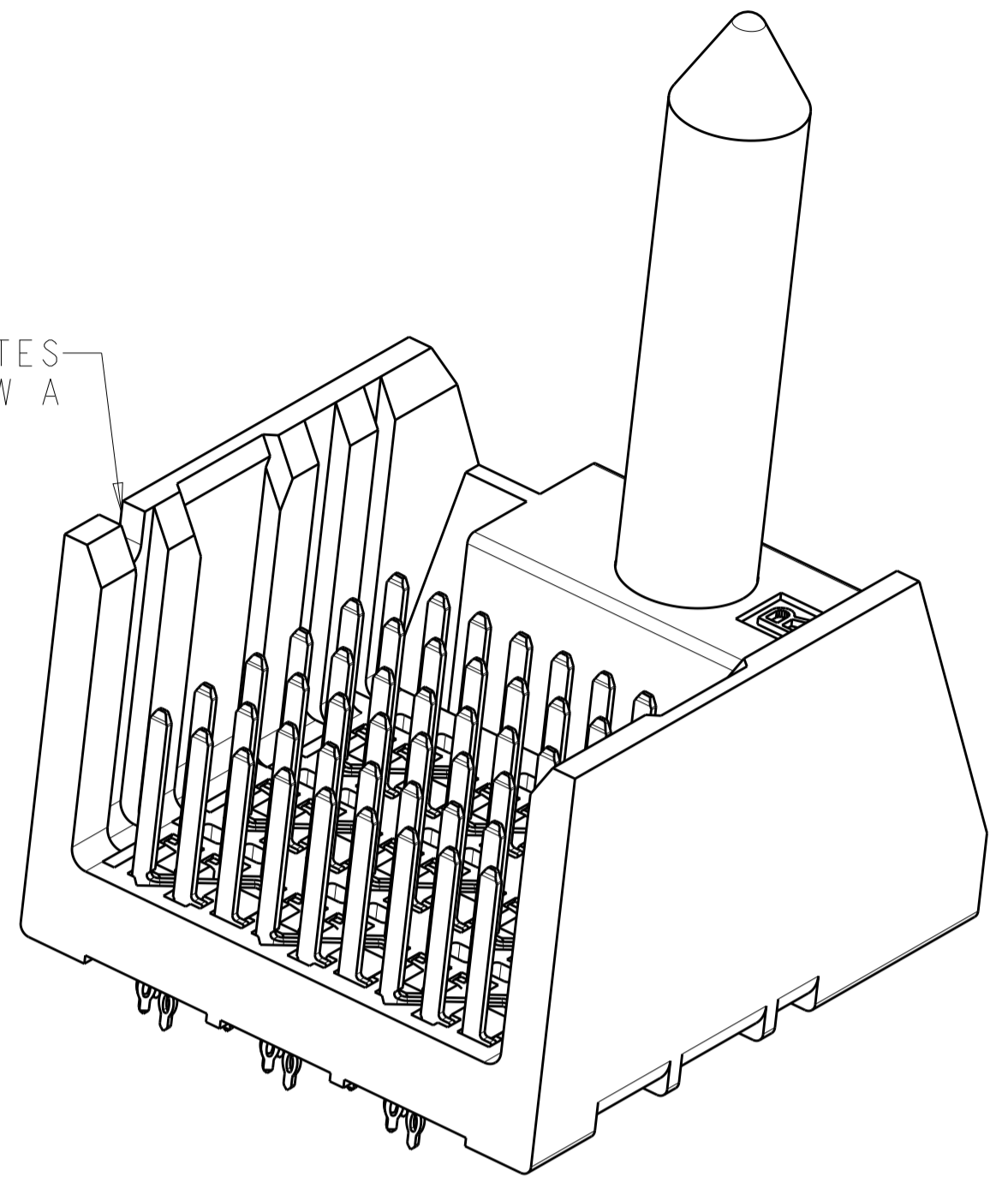


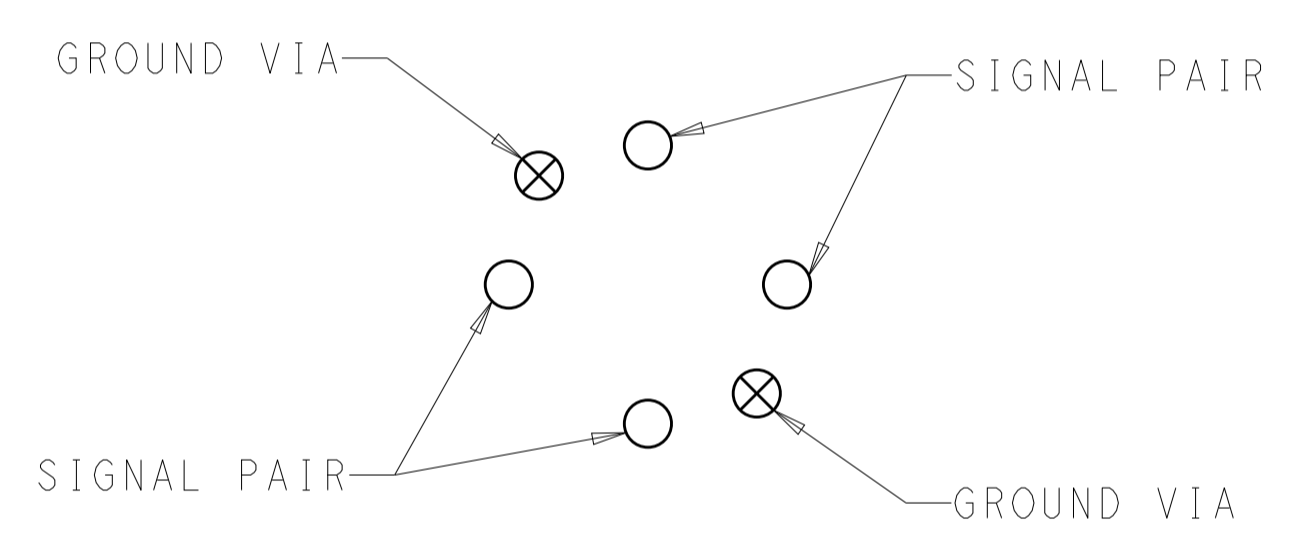
LOC		DIST		REVISIONS			
AD	00	P	LTN	DESCRIPTION	DATE	DWN	APVD
		C1		REVISED PER ECO-15-001489	30JAN2015	AP	DD



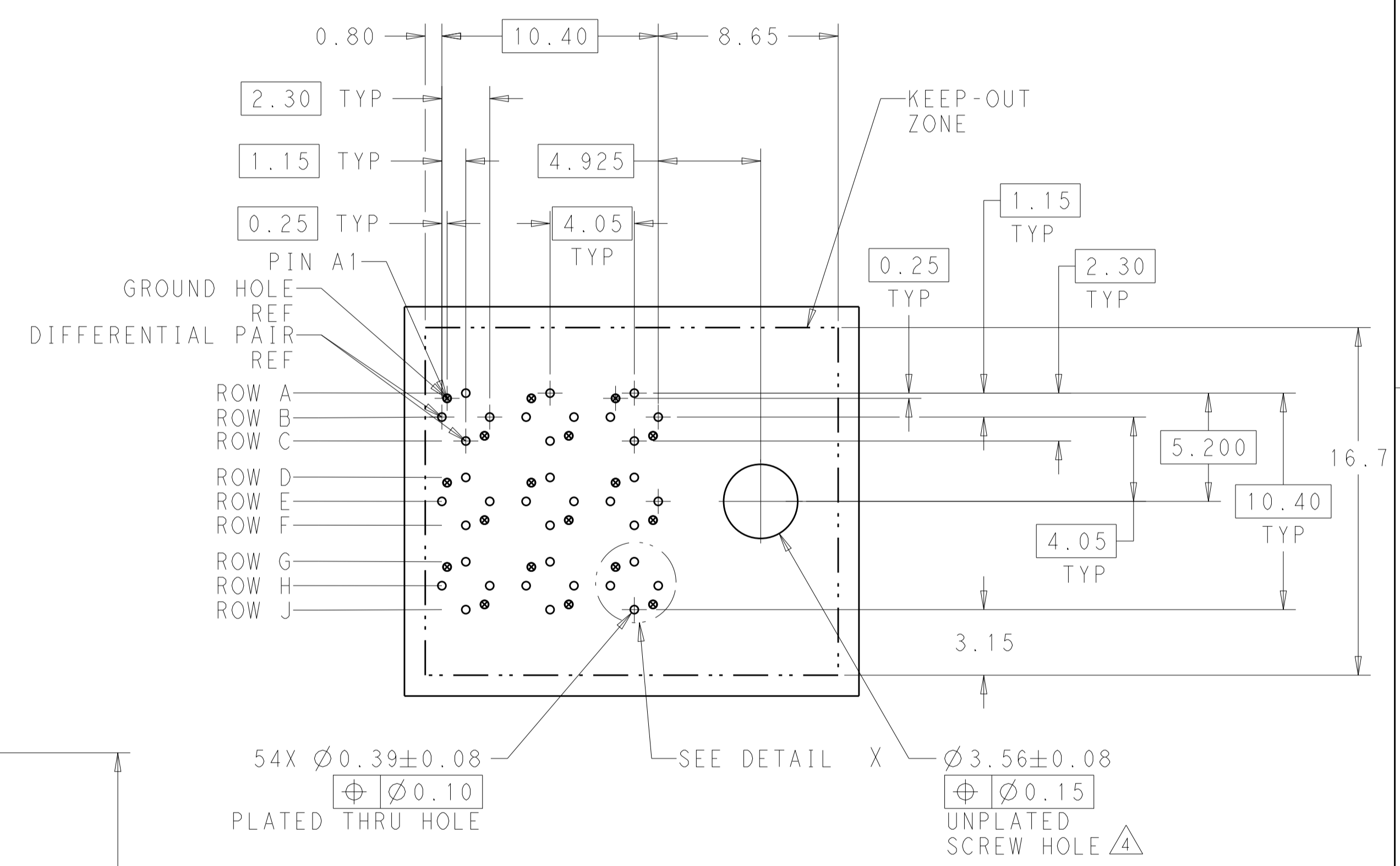
NOTCH DESIGNATES ROW A



- 1 MATERIAL:
HOUSING: LCP, GLASS FILLED, UL94V-0.
TERMINALS: HIGH PERFORMANCE COPPER ALLOY.
- 2 FINISH:
30μ" MIN GOLD IN CONTACT AREA. SELECTIVE TIN ON PCB TAILS, NICKEL OVERALL.
- 3. SCREWS PACKAGED IN END OF PACKAGING TUBE.
- 4 FOR GROUNDED GUIDE PIN USE Ø3.56±0.08 PTH, Ø3.66 DRILL, AND Ø6.5 PAD.

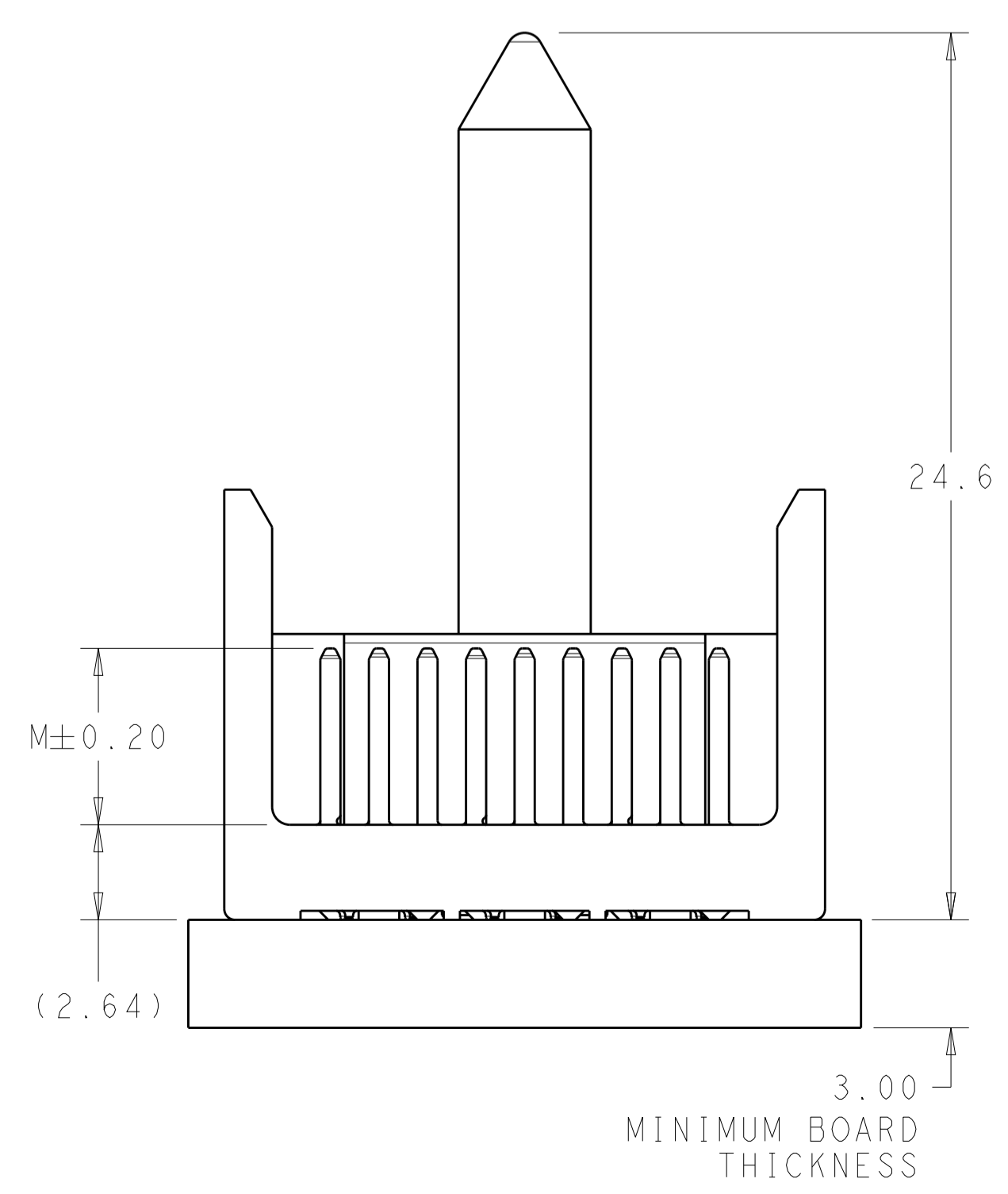
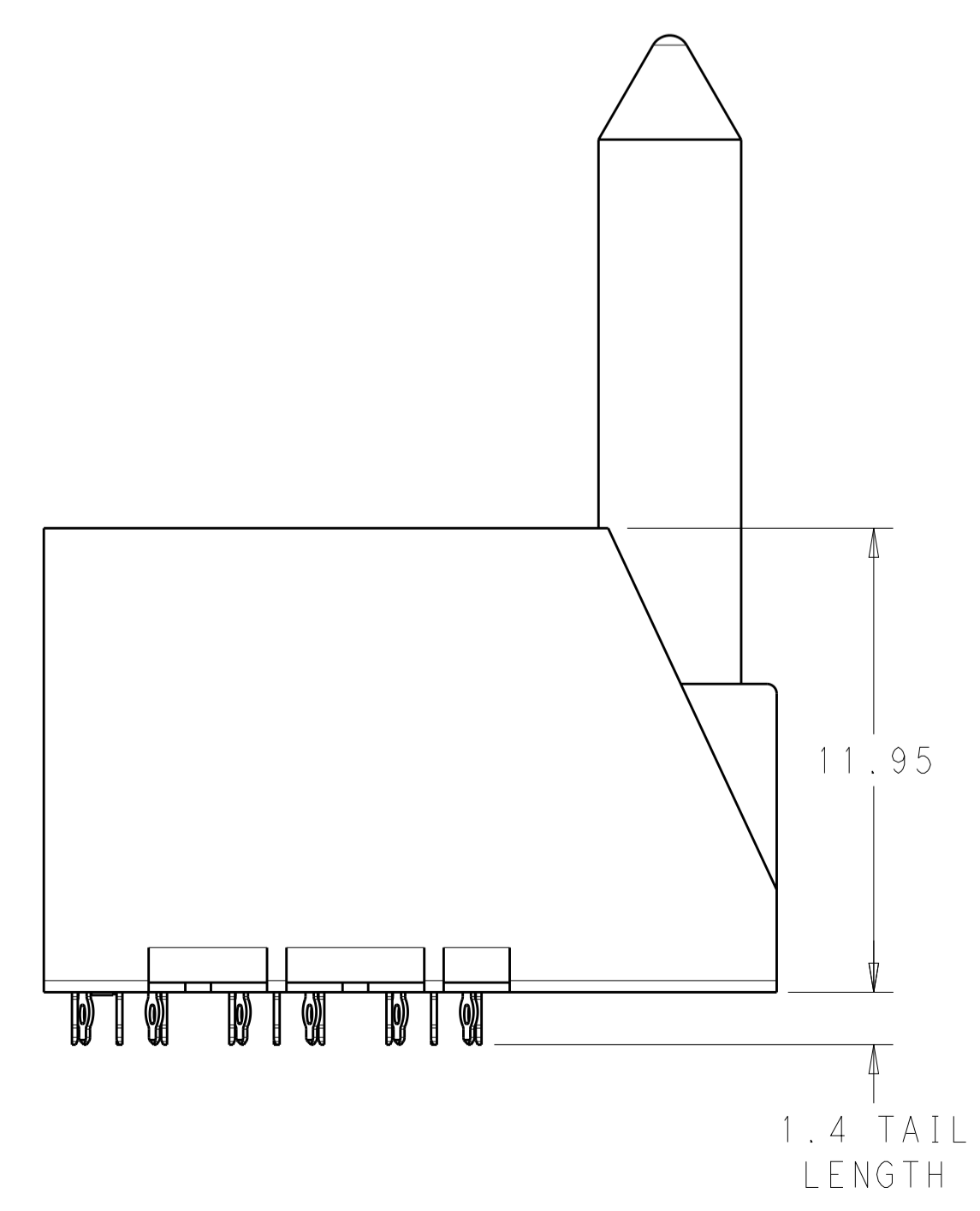


DETAIL X
SCALE 16:1



RIGHT GUIDED
BACKPLANE HOLE PATTERN
(CONNECTOR SIDE)

REFER TO WWW.TE.COM
FOR PRODUCT AVAILABILITY



2	5.5	2132563-2
2	4.9	2132563-1
FINISH	DIM M	PART NUMBER

THIS DRAWING IS A CONTROLLED DOCUMENT.		DWN: B.CARBO 22NOV2011	TE Connectivity
DIMENSIONS: mm		CHK: D.YI 22NOV2011	
TOLERANCES UNLESS OTHERWISE SPECIFIED:		APVD: D.YI 22NOV2011	
0 PLC ±0.25 1 PLC ±0.13 2 PLC ±0.10 3 PLC ±0.08 4 PLC ±0.05 ANGLES ±0.5°		NAME: IMPACT, ORTHOGONAL, 3 PAIR, 6 COLUMN HEADER, RIGHT GUIDED, OPEN END WALL SIGNAL MODULE, 0.39 PTH SIZE: A1 CAGE CODE: 00779 DRAWING NO: 2132563 RESTRICTED TO: C1	
MATERIAL:	FINISH: SEE TABLE	WEIGHT: -	Customer Drawing
		SCALE: 6:1	SHEET 1 OF 1