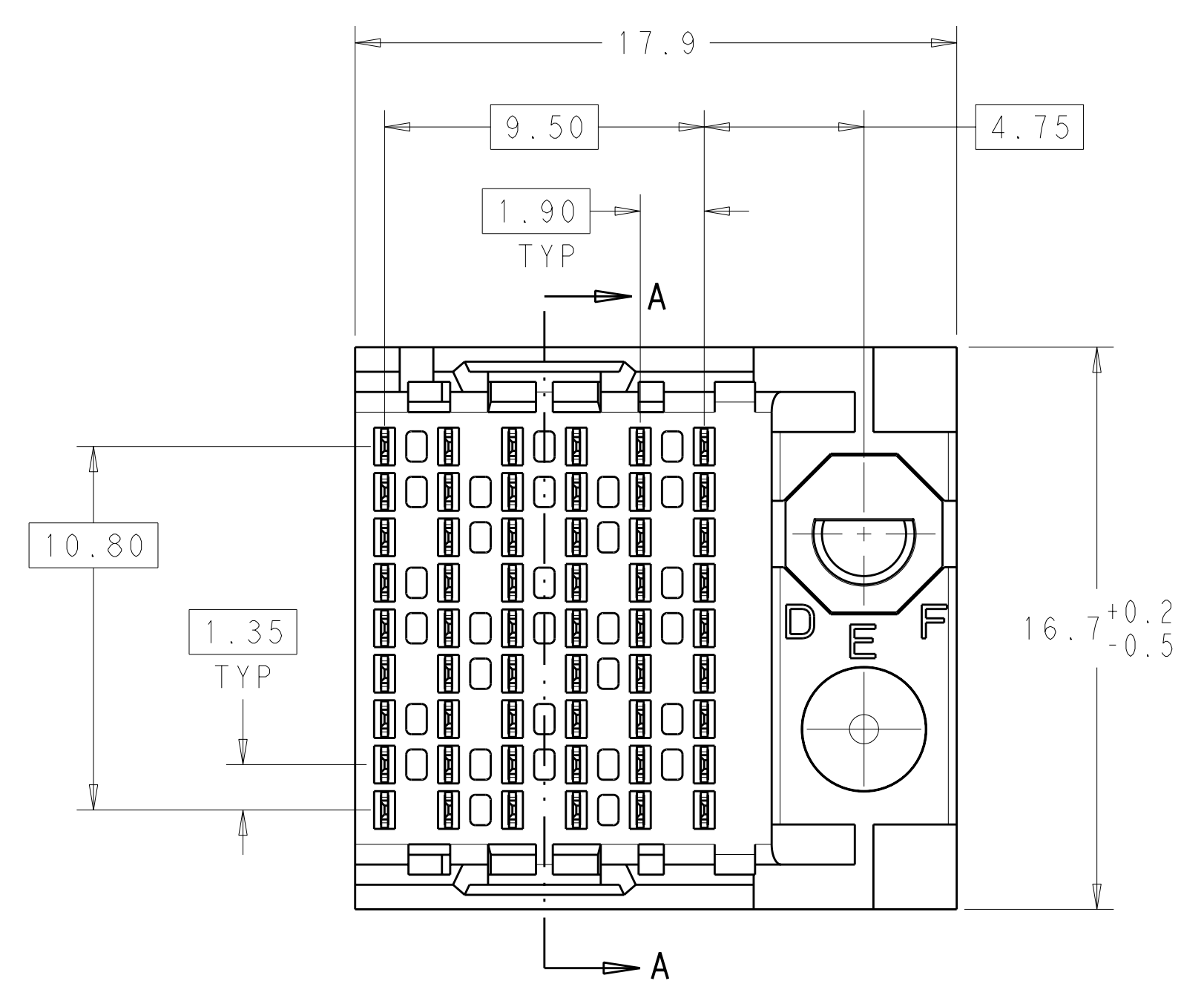
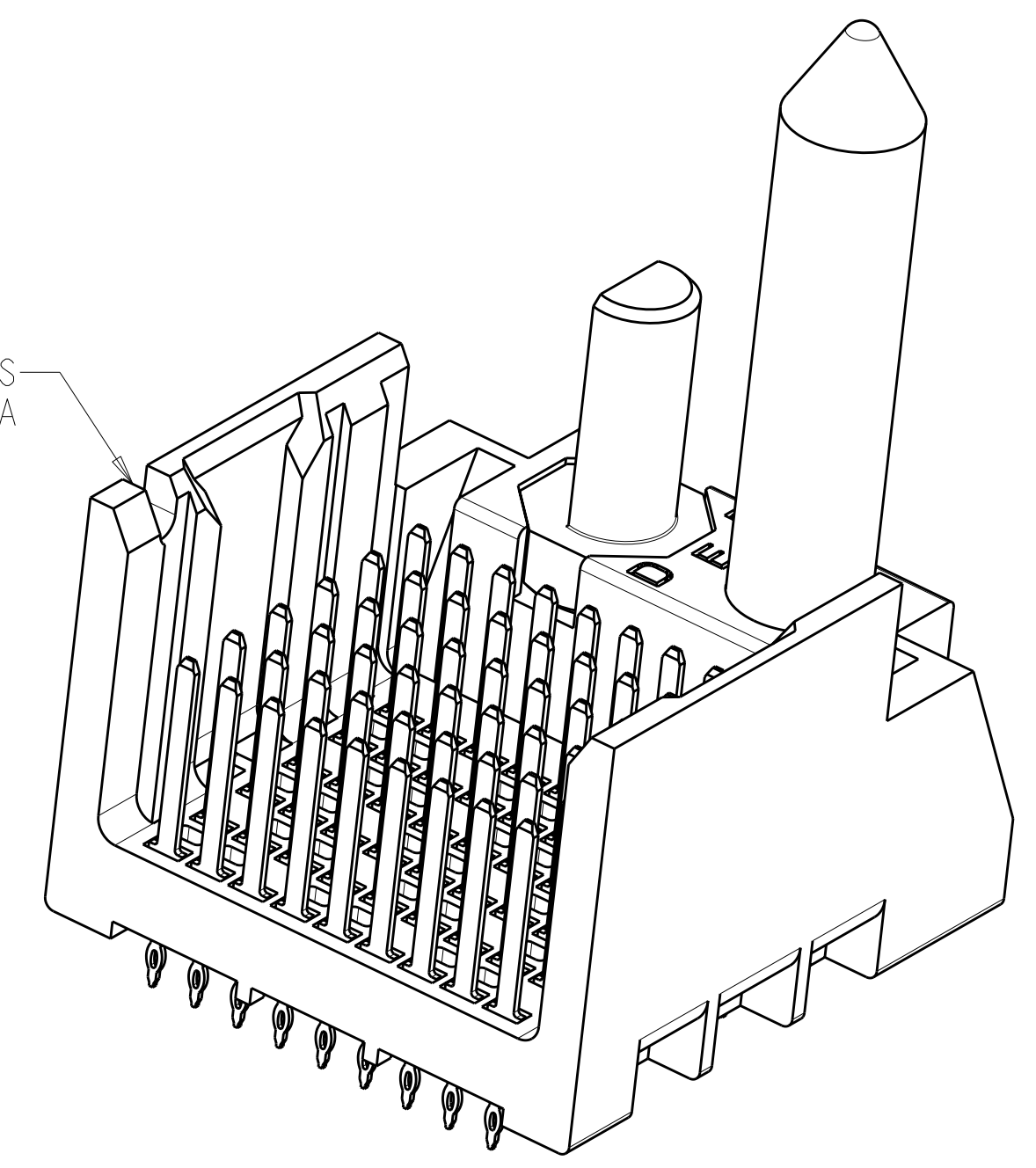


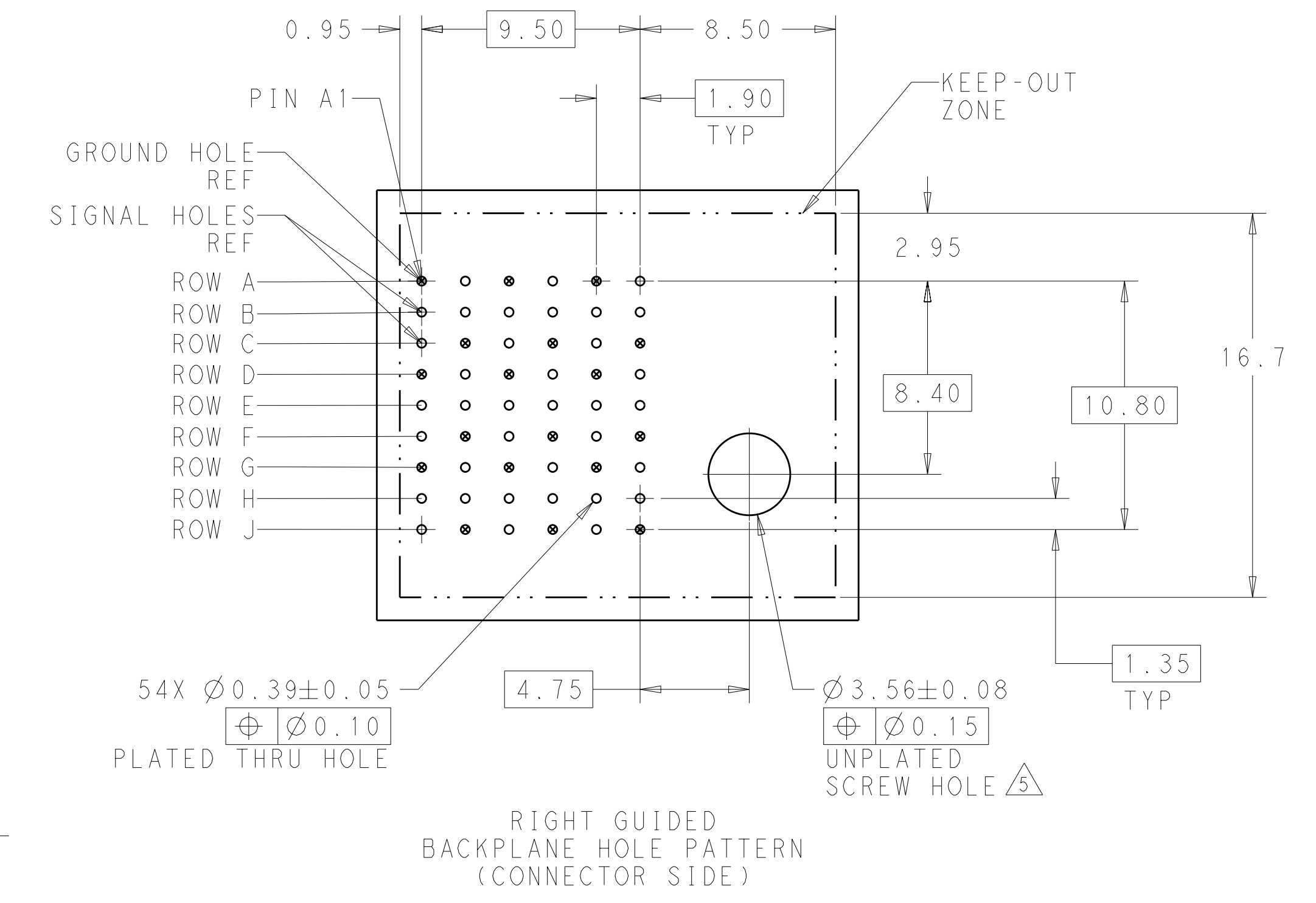
LOC		DIST		REVISIONS			
AD	00	REV	DATE	BY	CHK	APPV	DATE
1			05JAN2011				
A			28FEB2012	BC	DY		



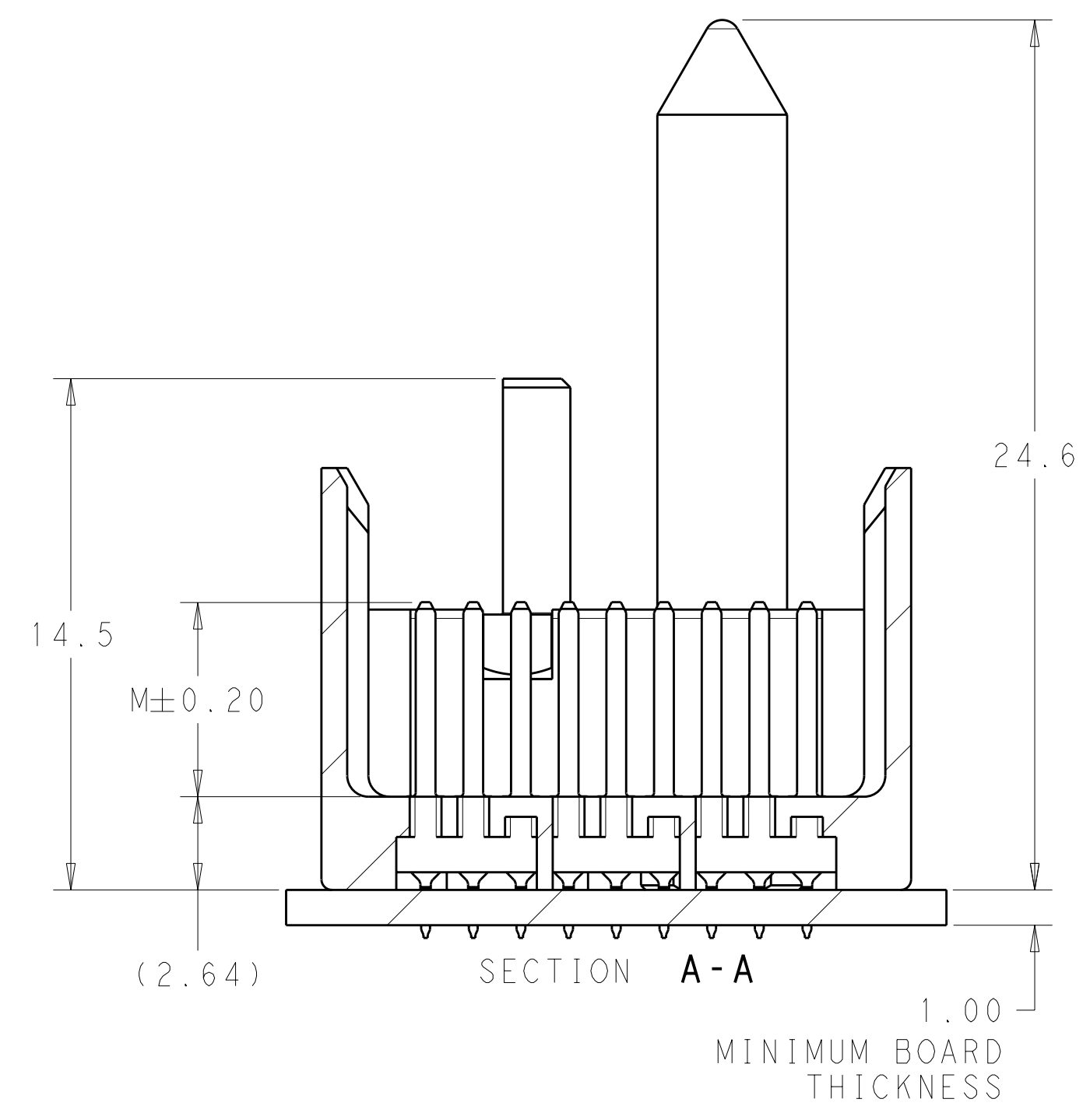
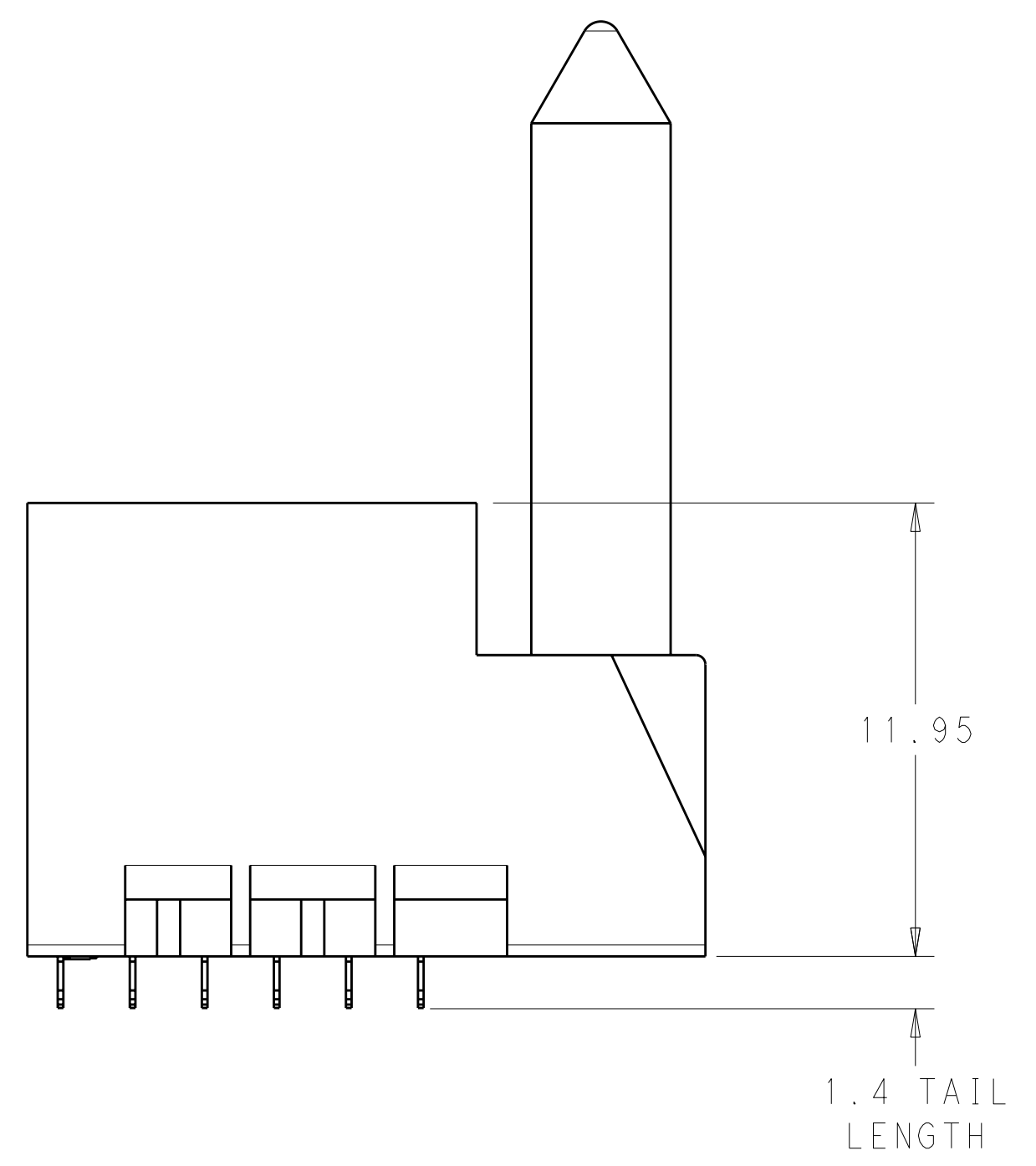
NOTCH DESIGNATES ROW A



- 1 MATERIAL:
HOUSING: LCP, GLASS FILLED, UL94V-0.
TERMINALS: HIGH PERFORMANCE COPPER ALLOY.
- 2 FINISH:
30μ" MIN GOLD IN CONTACT AREA. SELECTIVE TIN ON PCB TAILS, NICKEL OVERALL.
- 3 FINISH:
30μ" MIN GOLD IN CONTACT AREA. SELECTIVE TIN-LEAD ON PCB TAILS, NICKEL OVERALL.
- 4. SCREWS PACKAGED IN END OF PACKAGING TUBE.
- 5 FOR GROUNDED GUIDE PIN USE $\varnothing 3.56 \pm 0.08$ PTH, $\varnothing 3.66$ DRILL, AND $\varnothing 6.5$ PAD.
- 6. KEYING PIN SHOWN IN POSITION A, SEE KEYING CHART ON SHEET 2 FOR OTHER POSITIONS.



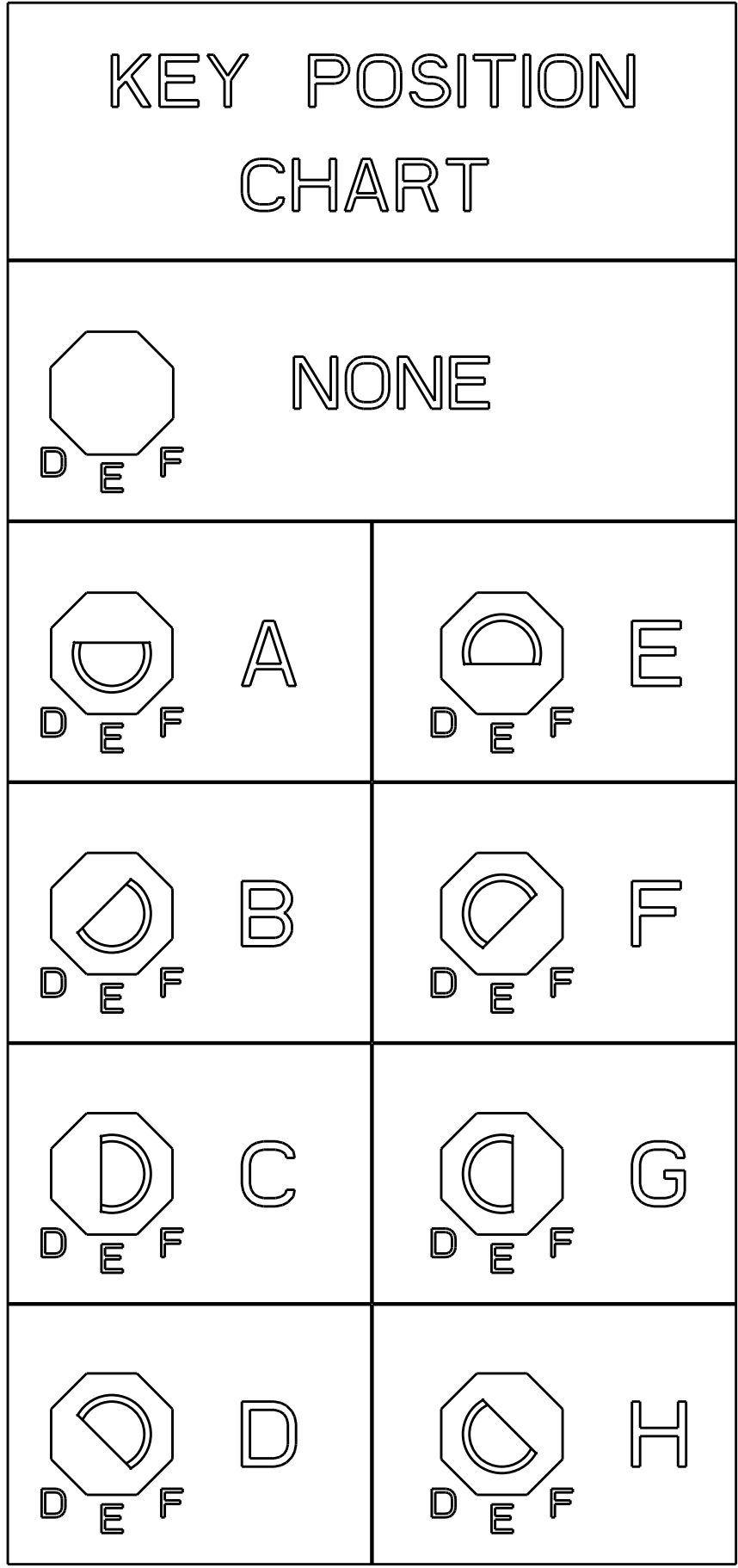
RIGHT GUIDED BACKPLANE HOLE PATTERN (CONNECTOR SIDE)



THIS DRAWING IS A CONTROLLED DOCUMENT.		DWN	05JAN2011	STE TE Connectivity
DIMENSIONS:		CHK	05JAN2011	
mm	TOLERANCES UNLESS OTHERWISE SPECIFIED:	APVD	05JAN2011	NAME IMPACT, 3 PAIR, 6 COLUMN, HEADER RIGHT GUIDED, OPEN END WALL SIGNAL MODULE, 0.39 PTH
Ø	9 PLC ±	PRODUCT SPEC		
	1 PLC ±0.25	APPLICATION SPEC		SIZE CAGE CODE DRAWING NO
	3 PLC ±0.13			A100779C=2132531
	5 PLC ±	RESTRICTED TO		
	4 PLC ±			
	ANGLES ±	WEIGHT		
MATERIAL	FINISH	CUSTOMER DRAWING	SCALE	6:1 SHEET 1 OF 2 REV A
	SEE TABLE			

LOC		DIST		REVISIONS			
AD	00	P	LTB	DESCRIPTION	DATE	DWN	APVD
				SEE SHEET 1			

3	H	5.5	8-2132531-6
3	H	4.9	8-2132531-5
3	H	4.5	8-2132531-4
2	H	5.5	8-2132531-3
2	H	4.9	8-2132531-2
2	H	4.5	8-2132531-1
3	G	5.5	7-2132531-6
3	G	4.9	7-2132531-5
3	G	4.5	7-2132531-4
2	G	5.5	7-2132531-3
2	G	4.9	7-2132531-2
2	G	4.5	7-2132531-1
3	F	5.5	6-2132531-6
3	F	4.9	6-2132531-5
3	F	4.5	6-2132531-4
2	F	5.5	6-2132531-3
2	F	4.9	6-2132531-2
2	F	4.5	6-2132531-1
3	E	5.5	5-2132531-6
3	E	4.9	5-2132531-5
3	E	4.5	5-2132531-4
2	E	5.5	5-2132531-3
2	E	4.9	5-2132531-2
2	E	4.5	5-2132531-1
3	D	5.5	4-2132531-6
3	D	4.9	4-2132531-5
3	D	4.5	4-2132531-4
2	D	5.5	4-2132531-3
2	D	4.9	4-2132531-2
2	D	4.5	4-2132531-1
3	C	5.5	3-2132531-6
3	C	4.9	3-2132531-5
3	C	4.5	3-2132531-4
2	C	5.5	3-2132531-3
2	C	4.9	3-2132531-2
2	C	4.5	3-2132531-1
3	B	5.5	2-2132531-6
3	B	4.9	2-2132531-5
3	B	4.5	2-2132531-4
2	B	5.5	2-2132531-3
2	B	4.9	2-2132531-2
2	B	4.5	2-2132531-1
3	A	5.5	1-2132531-6
3	A	4.9	1-2132531-5
3	A	4.5	1-2132531-4
2	A	5.5	1-2132531-3
2	A	4.9	1-2132531-2
2	A	4.5	1-2132531-1
3	-	5.5	2132531-6
3	-	4.9	2132531-5
3	-	4.5	2132531-4
2	-	5.5	2132531-3
2	-	4.9	2132531-2
2	-	4.5	2132531-1
FINISH	KEY POSITION	DIM M	PART NUMBER



REFER TO WWW.TE.COM
FOR PRODUCT AVAILABILITY

THIS DRAWING IS A CONTROLLED DOCUMENT.		DWN	05JAN2011	TE TE Connectivity
DIMENSIONS:		CHK	05JAN2011	
mm	TOLERANCES UNLESS OTHERWISE SPECIFIED:	APVD	05JAN2011	NAME IMPACT, 3 PAIR, 6 COLUMN, HEADER RIGHT GUIDED, OPEN END WALL SIGNAL MODULE, 0.39 PTH
9 PLC ±	0.25	PRODUCT SPEC		
3 PLC ±0.13		APPLICATION SPEC		SIZE CAGE CODE DRAWING NO RESTRICTED TO
5 PLC ±		WEIGHT		A100779C=2132531
4 PLC ±		CUSTOMER DRAWING		SCALE 5:1 SHEET 2 OF 2 REV A
ANGLES ±				
FINISH SEE TABLE				