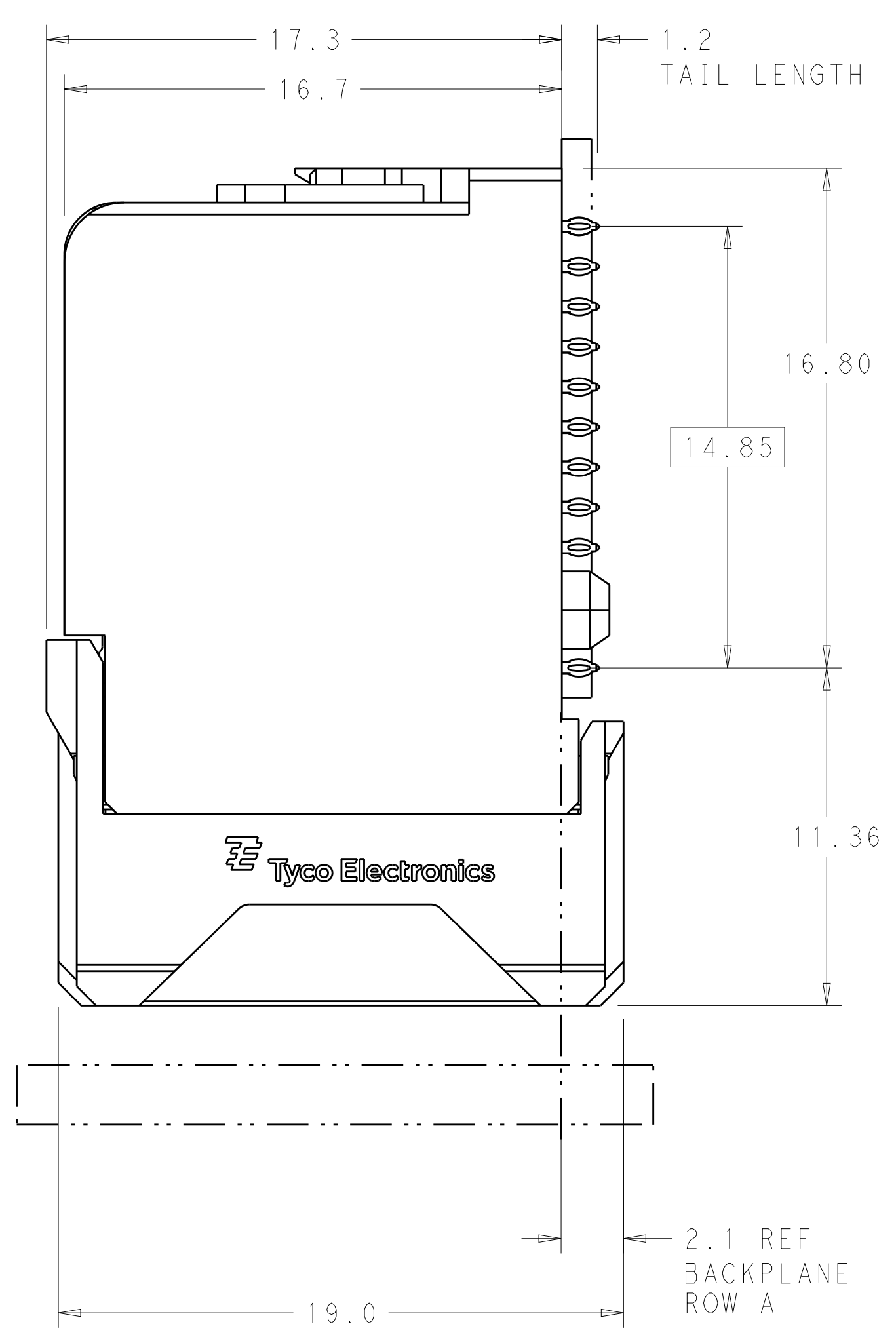
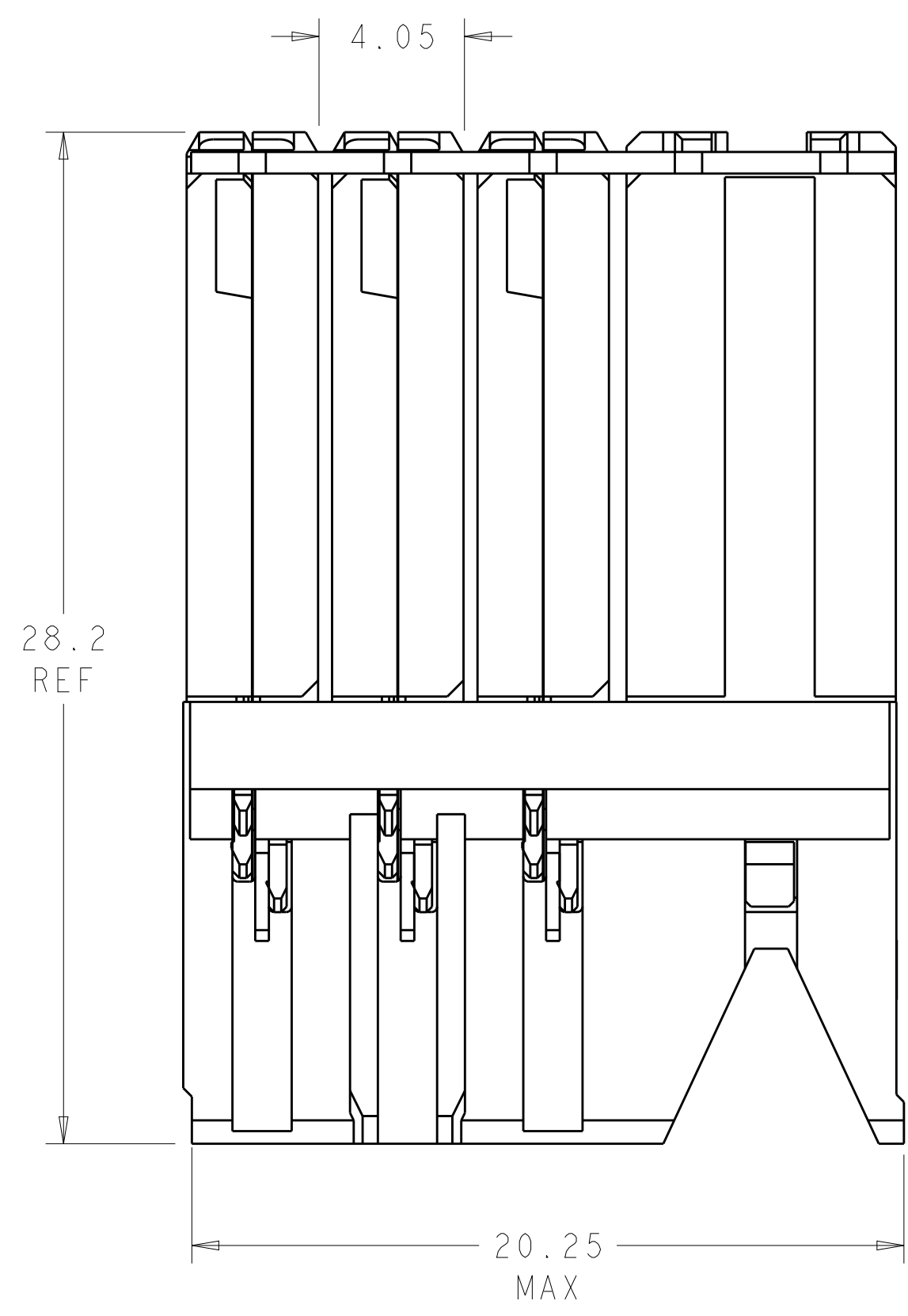
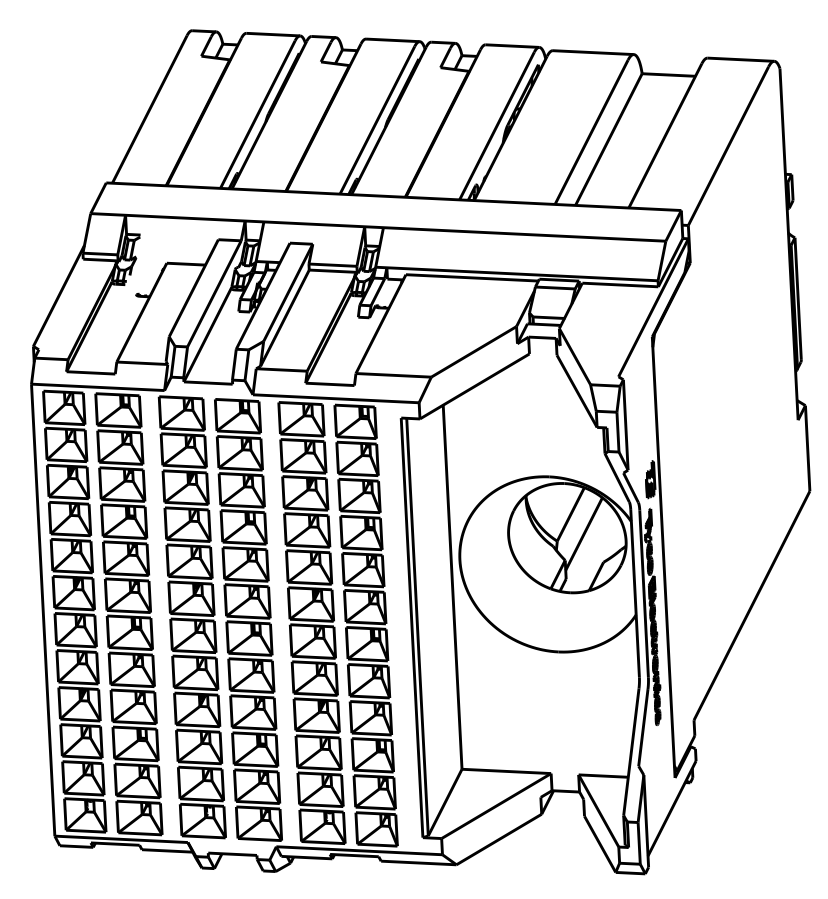


LOC		DIST		REVISIONS			
AD	00	P	LTN	DESCRIPTION	DATE	DWN	APVD
		A		DRAWING CREATED BY AUTOMATION PROGRAM	26MAY2015	AP	DD

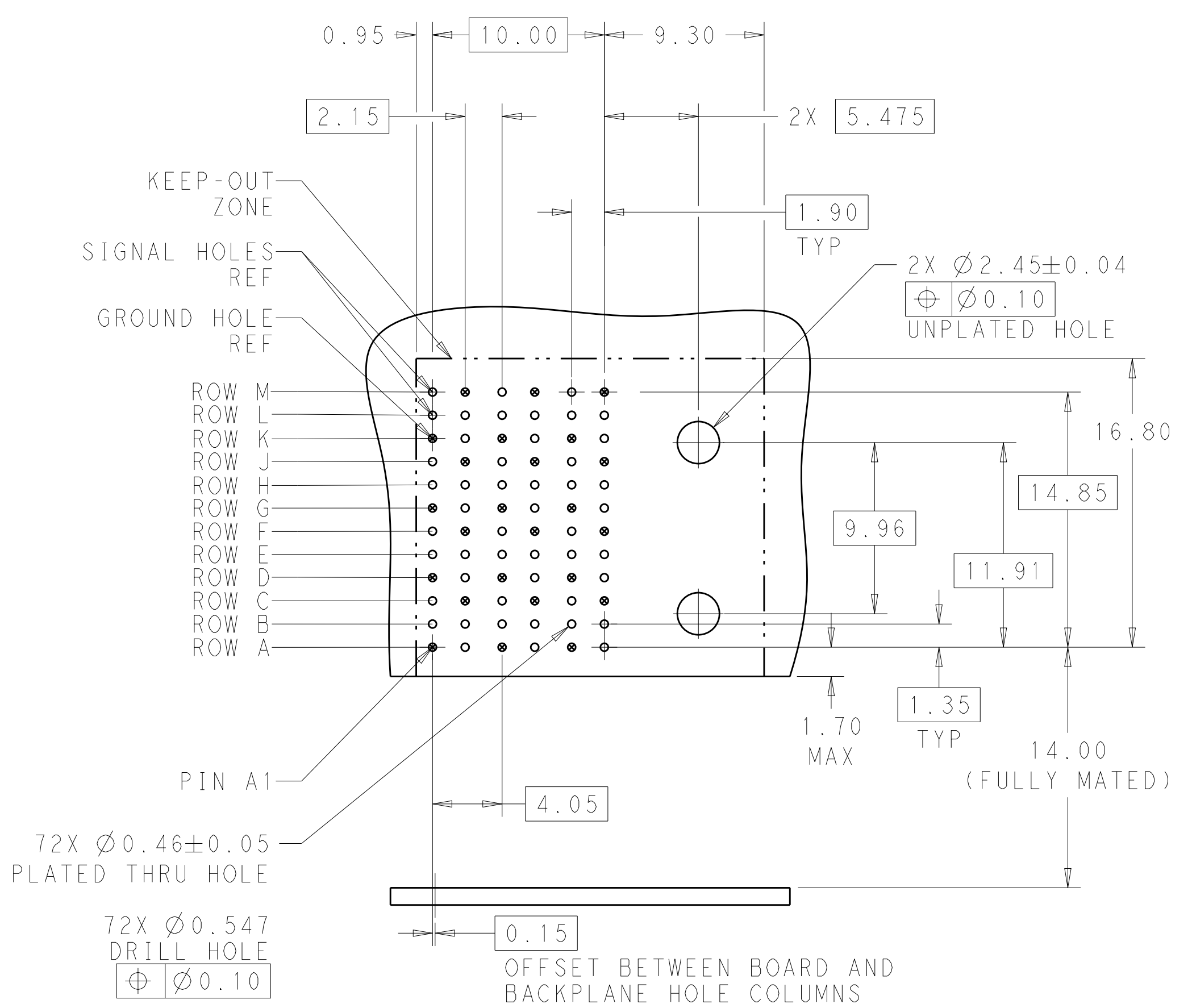
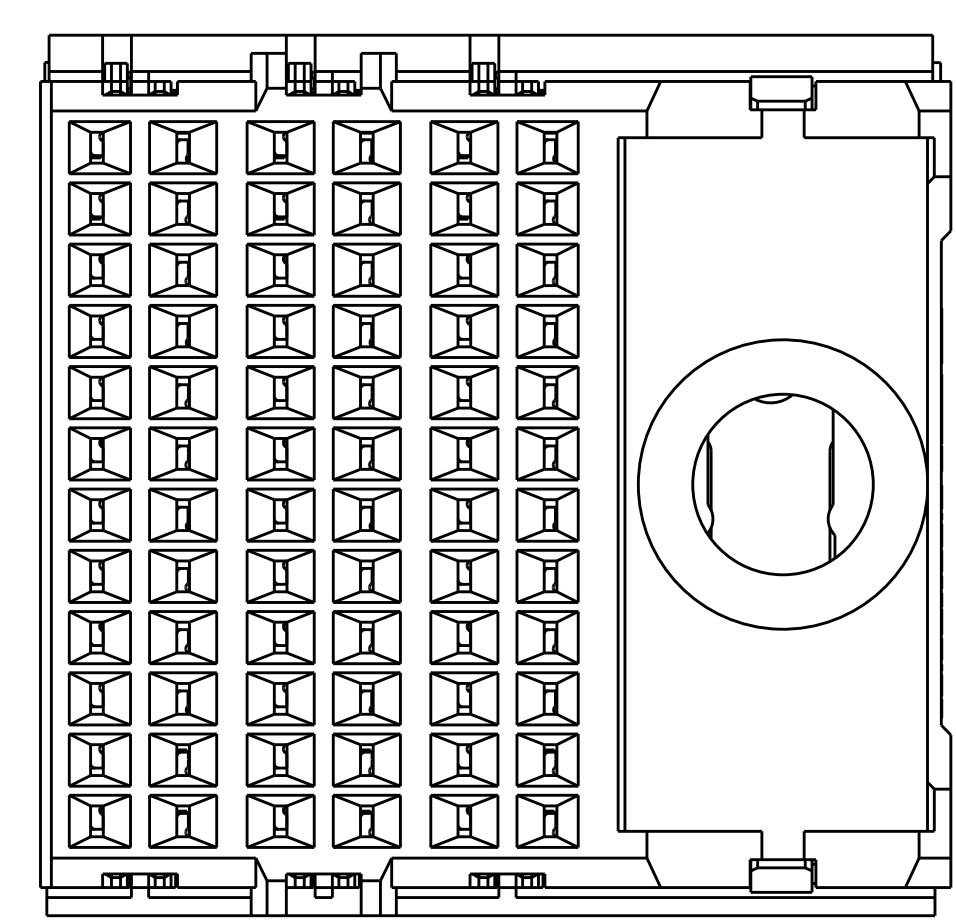


- ⚠ MATERIAL:
HOUSING: LCP, GLASS FILLED, UL94V-0.
TERMINALS: HIGH PERFORMANCE COPPER ALLOY.
- ⚠ FINISH:
30μ" SELECTIVE GOLD IN CONTACT AREA. SELECTIVE TIN ON PCB TAILS, NICKEL OVERALL.
- 3. CONNECTORS SUPPLIED WITH MOUNTING SCREWS.



SCALE 4:1

REFER TO WWW.TE.COM FOR PRODUCT AVAILABILITY



RECOMMENDED PCB LAYOUT
 MIN BOARD THICKNESS 1.0

NONE	⚠	2132480-1
KEY POSITION	FINISH	PART NUMBER

THIS DRAWING IS A CONTROLLED DOCUMENT.		DWN AJITH PAI 26MAY2015	TE Connectivity NAME IMPACT, ORTHOGONAL, 4 PAIR, DAUGHTERCARD, 6 COLUMN, RIGHT GUIDED, SIGNAL MODULE, 0.46 EYELET SIZE CAGE CODE DRAWING NO RESTRICTED TO A100779C=2132480 CUSTOMER DRAWING SCALE 6:1 SHEET 1 OF 1 REV A
DIMENSIONS: mm		CHK D. DIXON 26MAY2015	
TOLERANCES UNLESS OTHERWISE SPECIFIED:		APVD D. DIXON 26MAY2015	
0 PLC ± 1 PLC ±0.25 2 PLC ±0.15 3 PLC ± 4 PLC ± ANGLES ±		PRODUCT SPEC APPLICATION SPEC	
MATERIAL ⚠ SEE TABLE		FINISH	