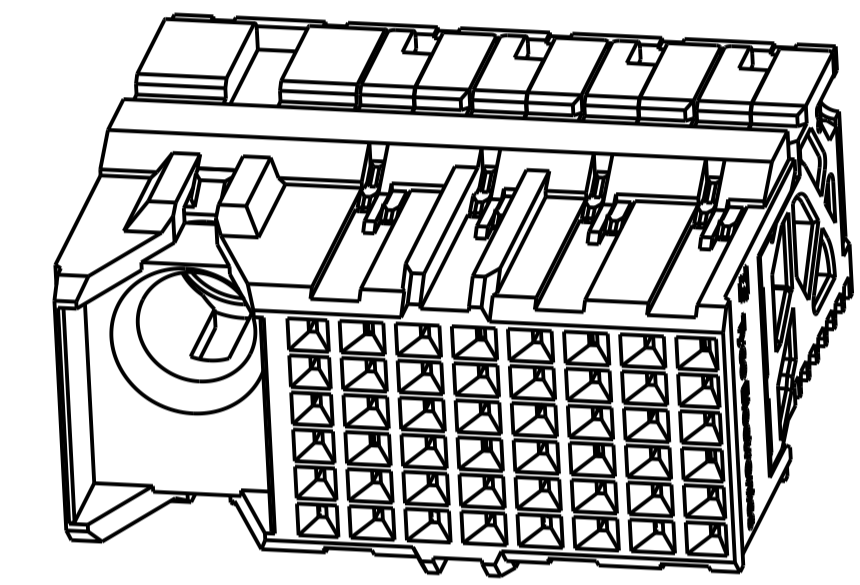
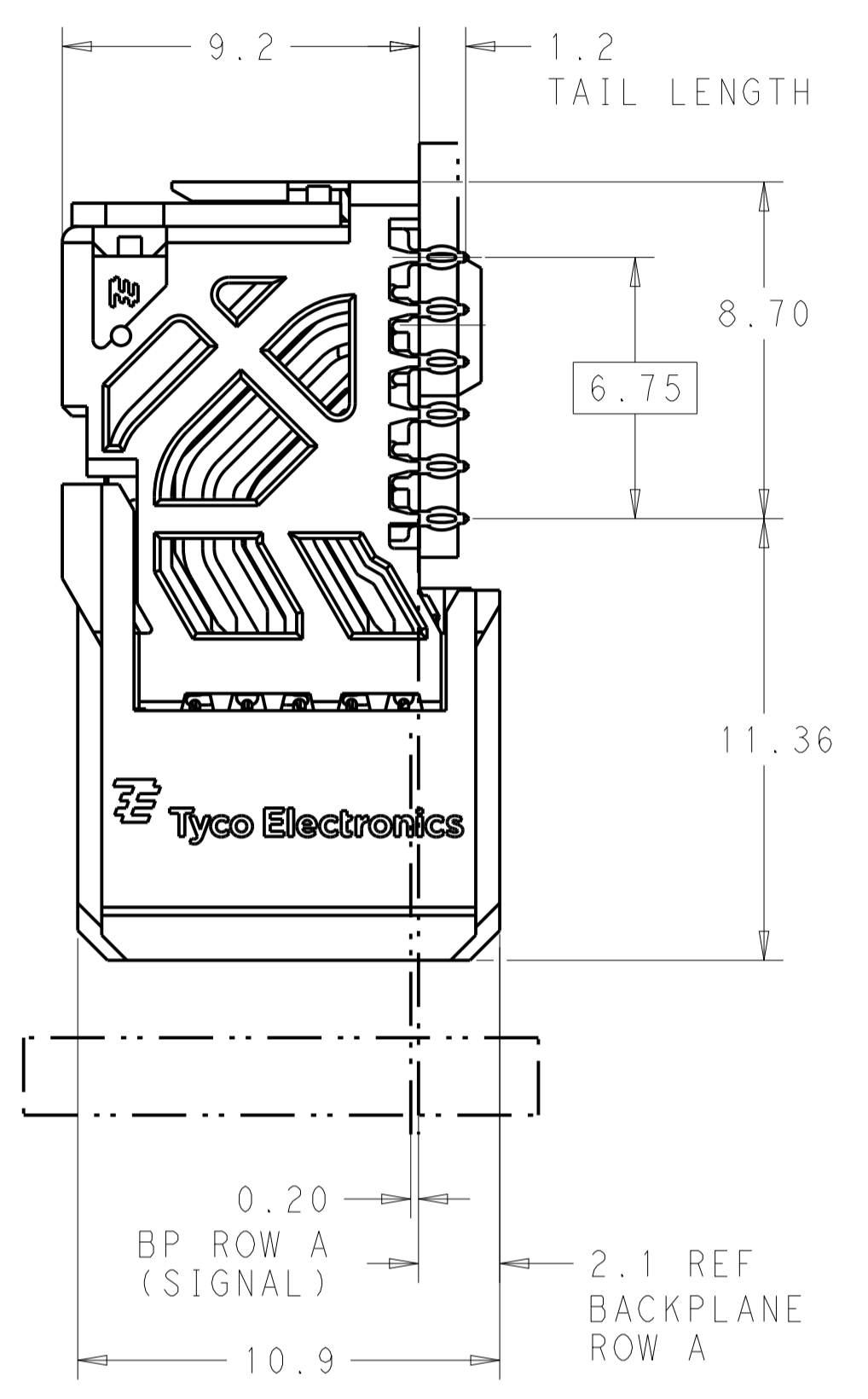
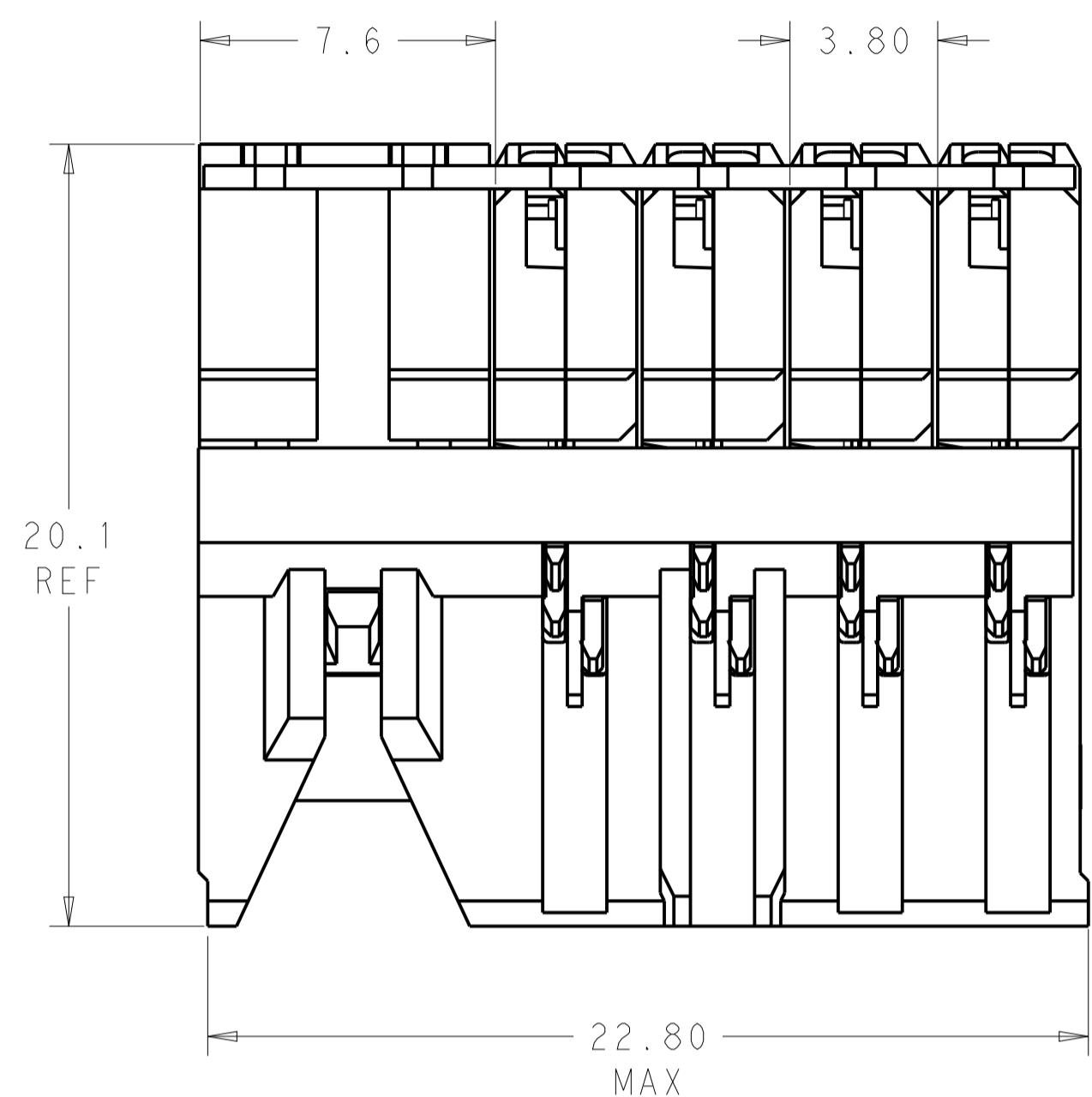
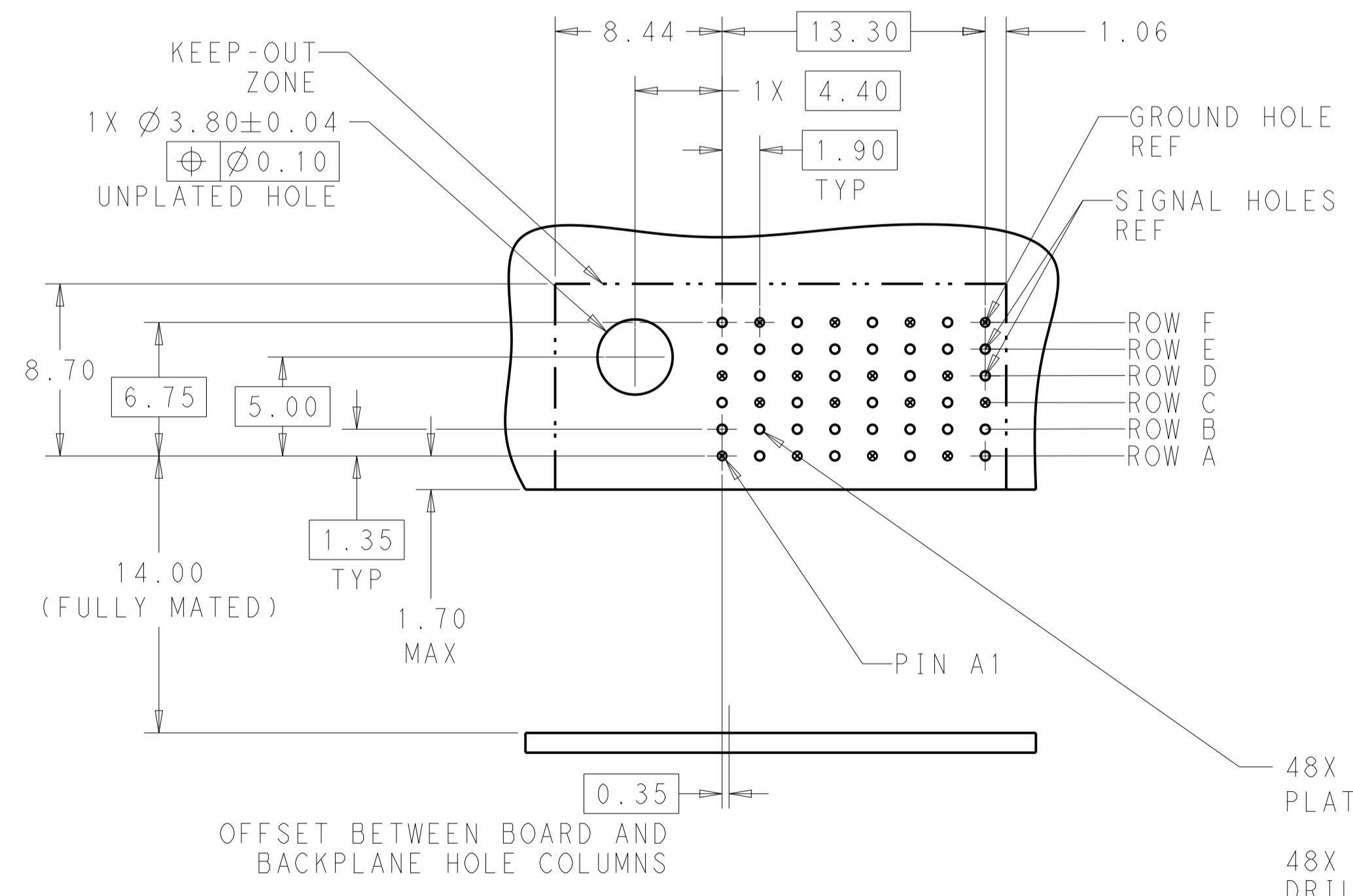
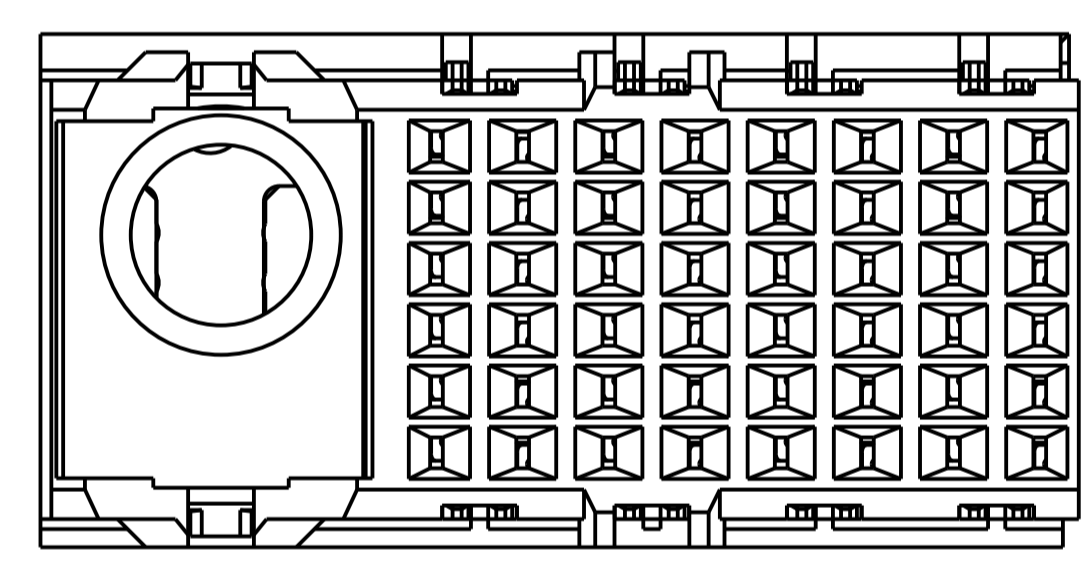


REVISIONS				
P.	LTN.	DESCRIPTION	DATE	APVD.
A		REVISED PER ECO-14-017984	03DEC2014	AP DD



SCALE 4:1



OFFSET BETWEEN BOARD AND BACKPLANE HOLE COLUMNS
 RECOMMENDED PCB LAYOUT
 MIN BOARD THICKNESS 1.6

⚠ MATERIAL:
 HOUSING: LCP, GLASS FILLED, UL94V-0.
 TERMINALS: HIGH PERFORMANCE COPPER ALLOY.

⚠ FINISH:
 30µ" SELECTIVE GOLD IN CONTACT AREA. SELECTIVE TIN ON PCB TAILS, NICKEL OVERALL.

3. CONNECTORS SUPPLIED WITH MOUNTING SCREWS.

REFER TO WWW.TE.COM FOR PRODUCT AVAILABILITY

NONE	⚠	2132108-1
KEY POSITION	FINISH	PART NUMBER
NAME: IMPACT, 2 PAIR, DAUGHTERCARD 8 COLUMN, LEFT GUIDED, SIGNAL MODULE, 0.46 EYELET SIZE: A1 CAGE CODE: 00779 DRAWING NO: 2132108 RESTRICTED TO: Customer Drawing		
SCALE 6:1		SHEET 1 OF 1 REV A

DIMENSIONS:		TOLERANCES UNLESS OTHERWISE SPECIFIED:	
mm	0 PLC	±	
	1 PLC	±0.2	
	2 PLC	±0.13	
	3 PLC	±	
	4 PLC	±	
MATERIAL		FINISH	
SEE TABLE		SEE TABLE	