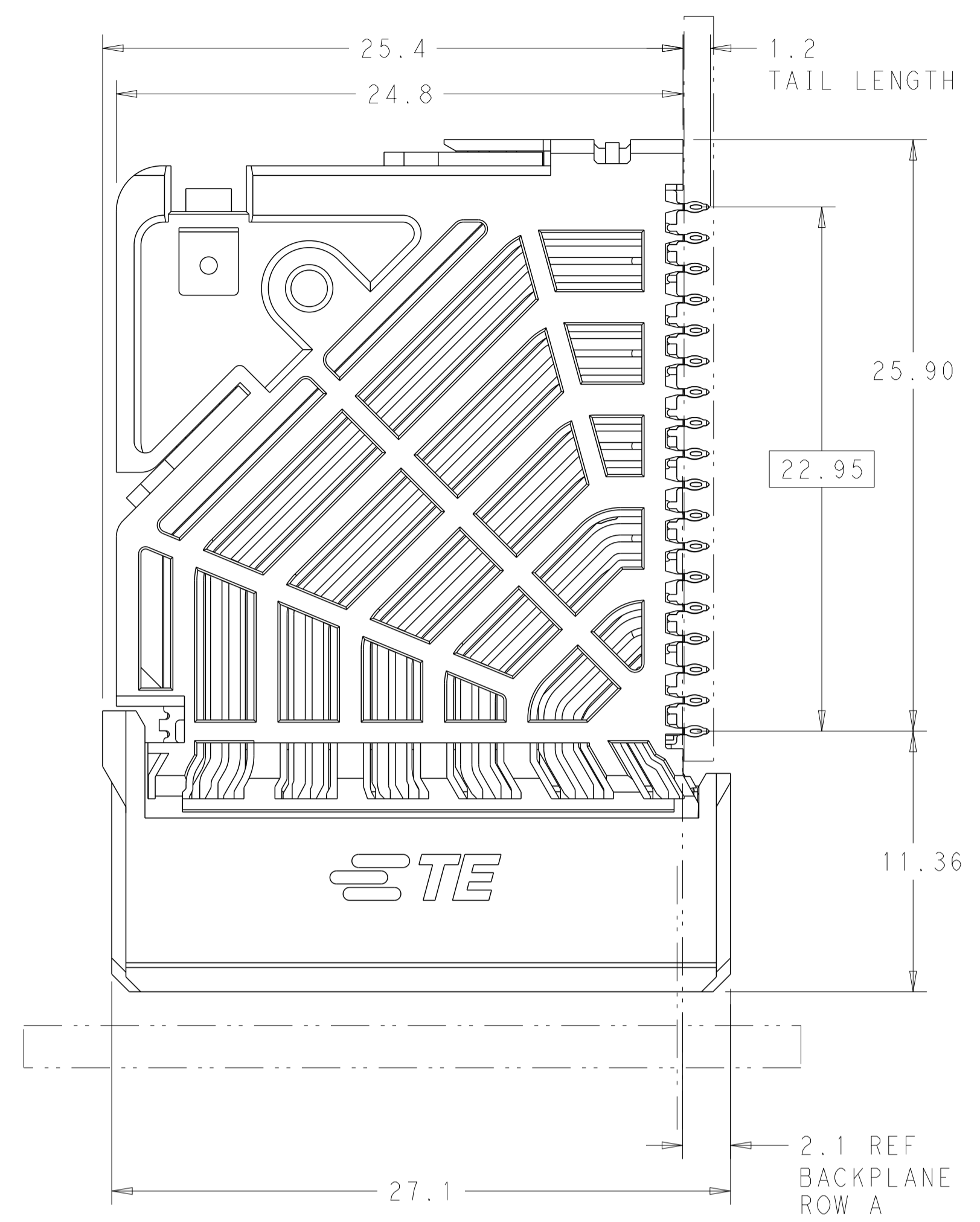
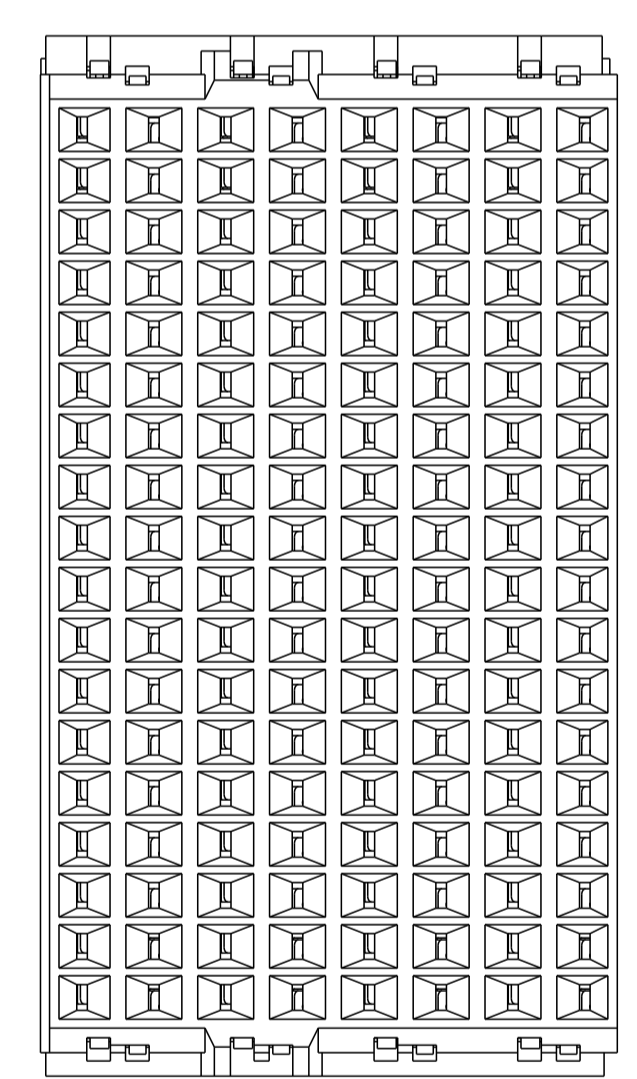
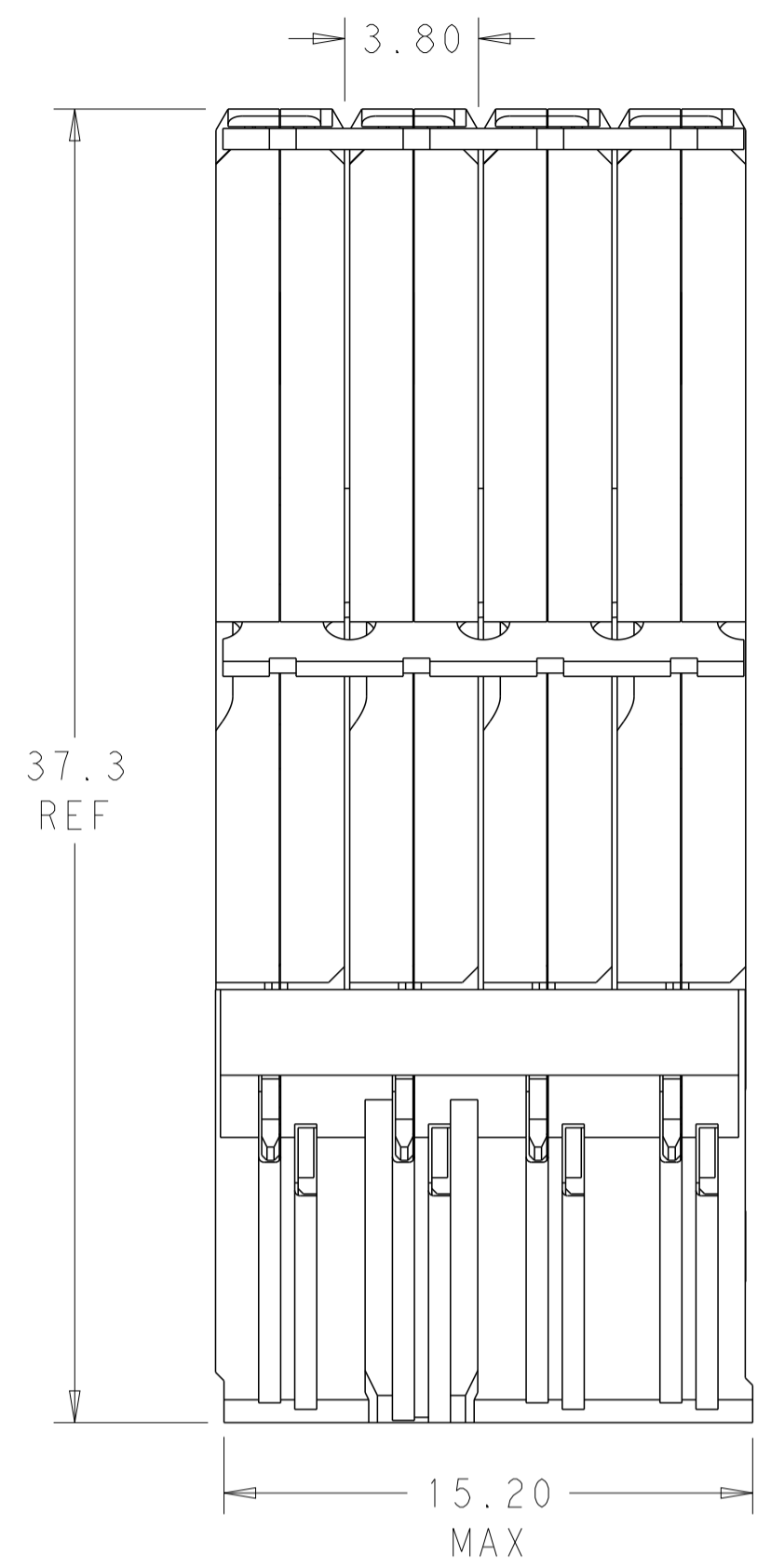
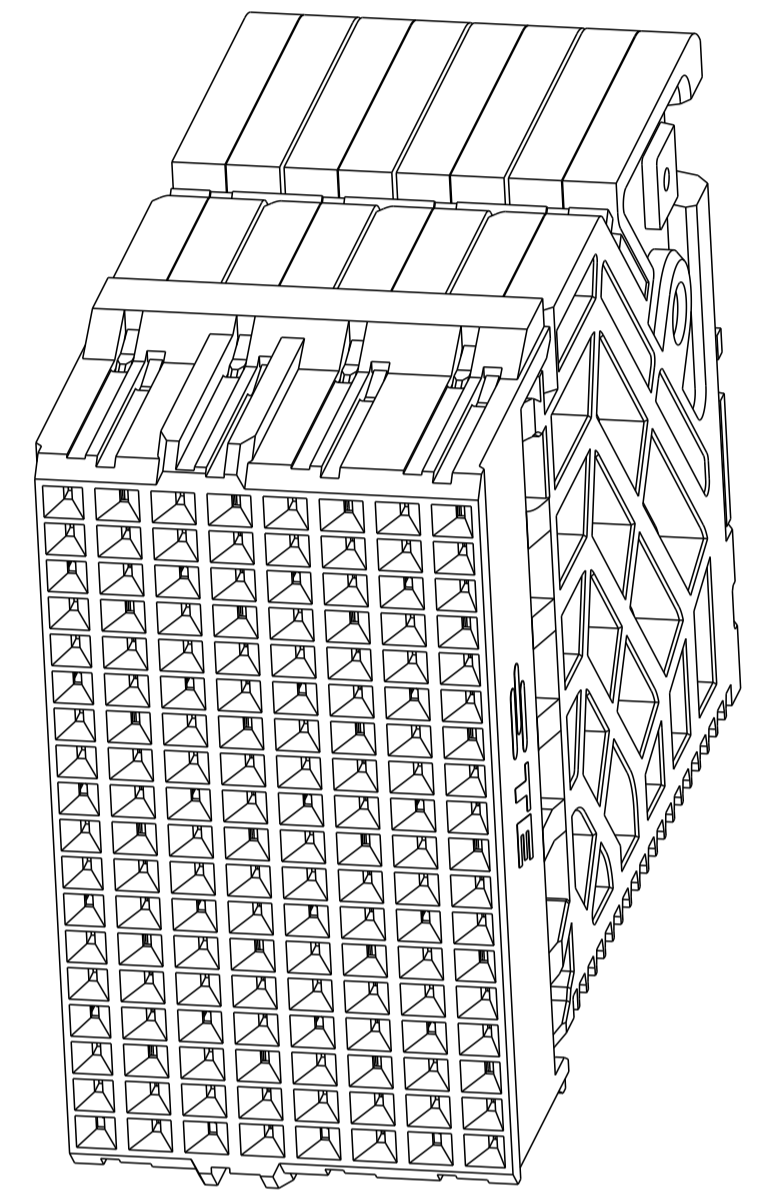


REVISIONS				
P	LTN	DESCRIPTION	DATE	APVD
C		REVISED PER ECO-15-012351	03SEP2015	AP SY



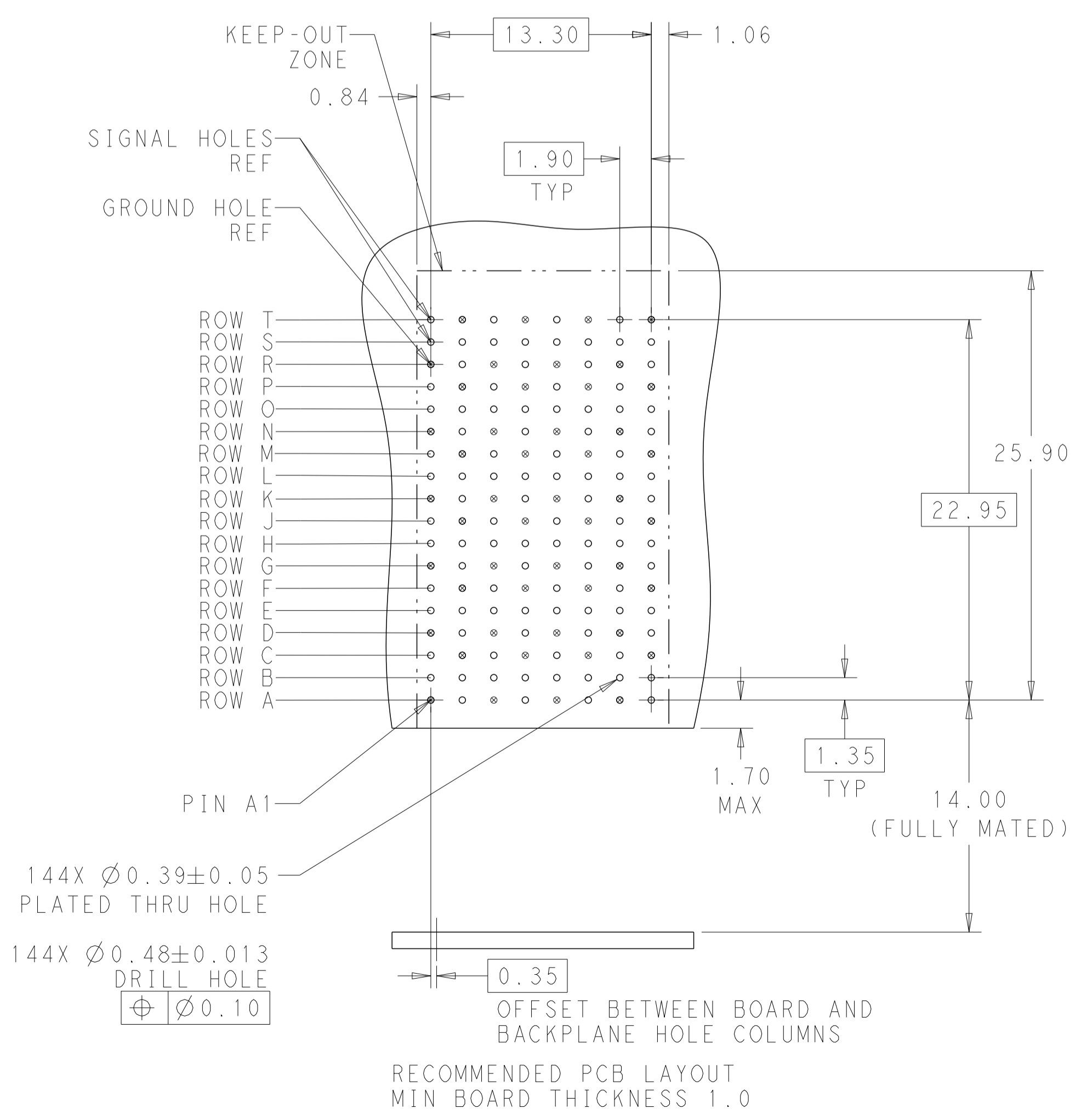
⚠ MATERIAL:  
 HOUSING: LCP, GLASS FILLED, UL94V-0.  
 TERMINALS: HIGH PERFORMANCE COPPER ALLOY.

⚠ FINISH:  
 30μ" SELECTIVE GOLD IN CONTACT AREA. SELECTIVE TIN  
 ON PCB TAILS, NICKEL OVERALL.



SCALE 4:1

REFER TO WWW.TE.COM  
 FOR PRODUCT AVAILABILITY



NONE	⚠	2132107-1
KEY POSITION	FINISH	PART NUMBER
<b>TE</b> TE Connectivity		
DIMENSIONS: mm TOLERANCES UNLESS OTHERWISE SPECIFIED: 0 PLC ± 1 PLC ±0.2 2 PLC ±0.10 3 PLC ± 4 PLC ± ANGLES ° ±		NAME: IMPACT, STD, R/A, 6 PAIR, 8 COLUMN, DAUGHTERCARD, UNGUIDED SIGNAL MODULE, 0.39 EYELET SIZE: CAGE CODE DRAWING NO: A100779C=2132107 WEIGHT: - RESTRICTED TO: -
MATERIAL: SEE TABLE		Customer Drawing
SCALE 5:1		SHEET 1 OF 1 REV C