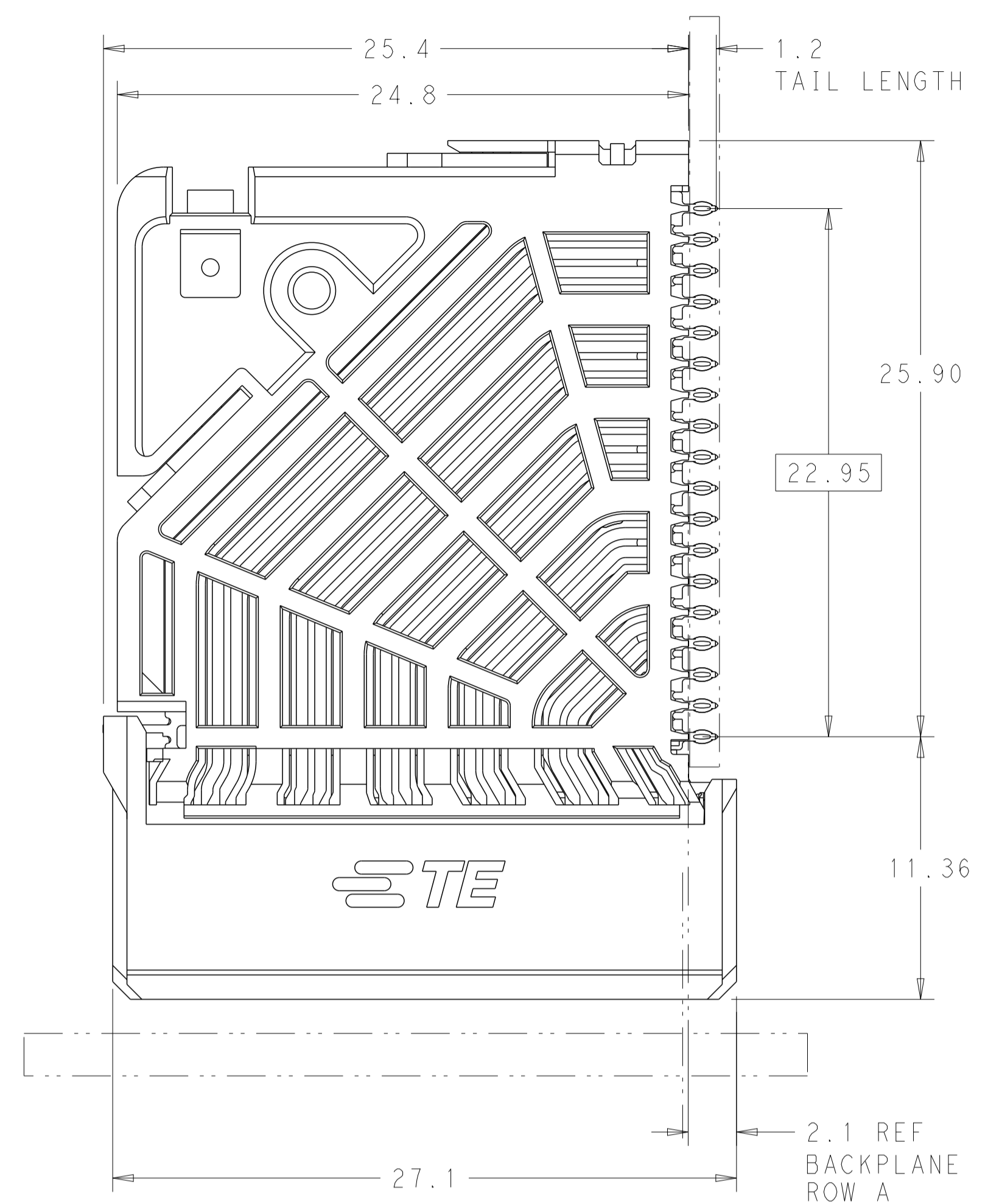
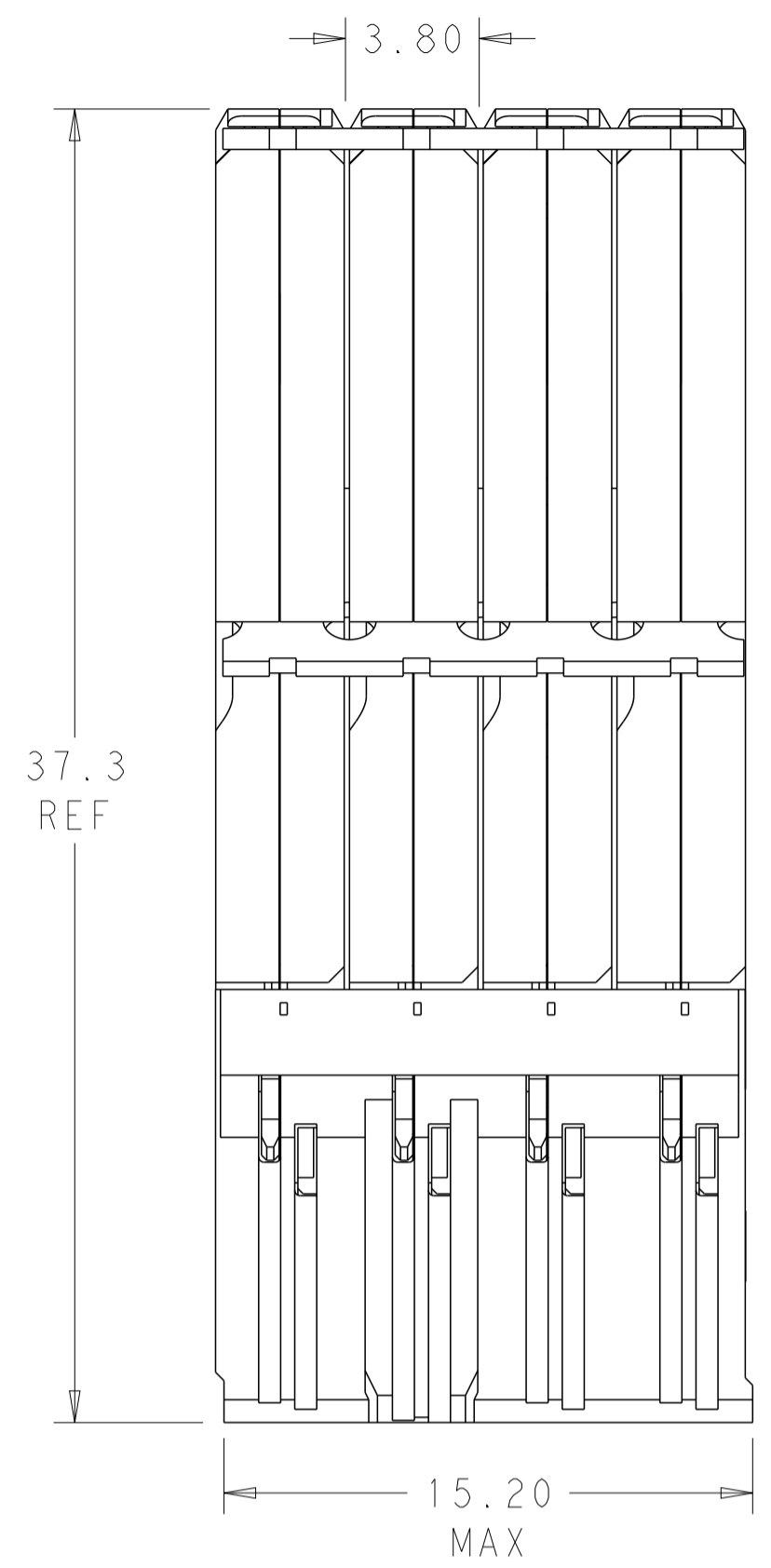
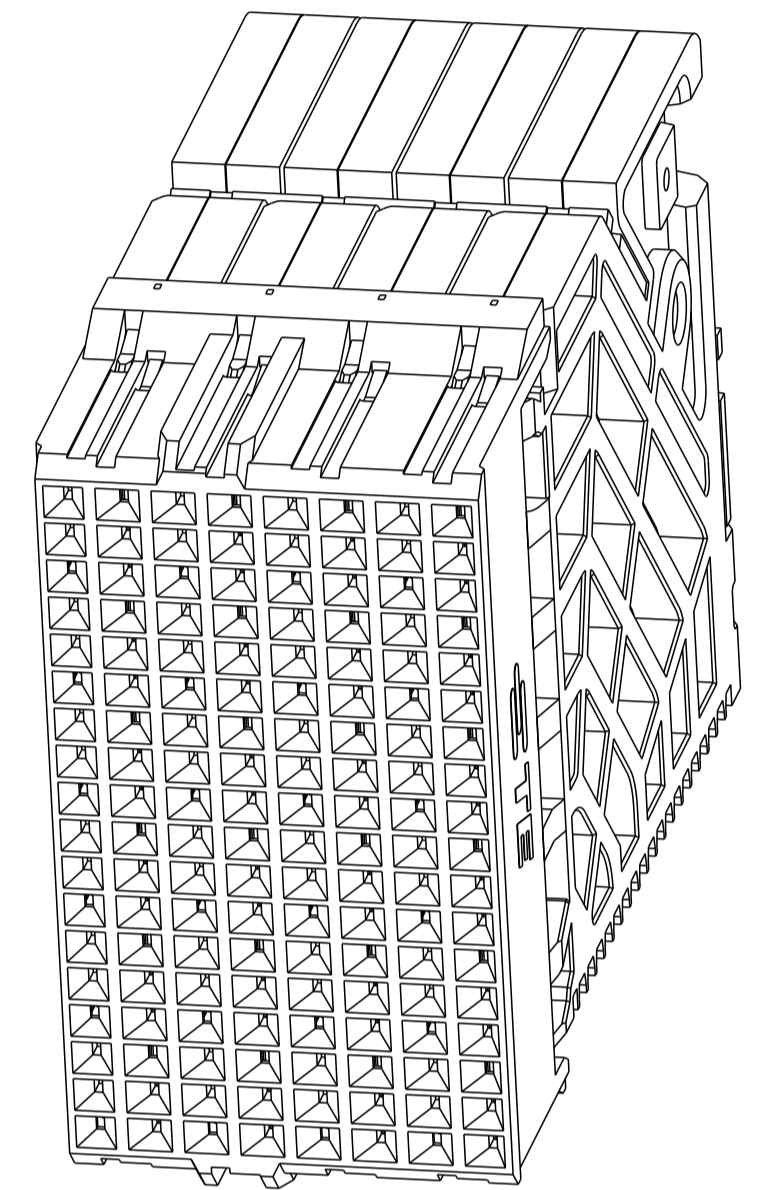


REVISIONS				
P	LTN	DESCRIPTION	DATE	APVD
C		REVISED PER ECO-15-012351	03SEP2015	AP SY



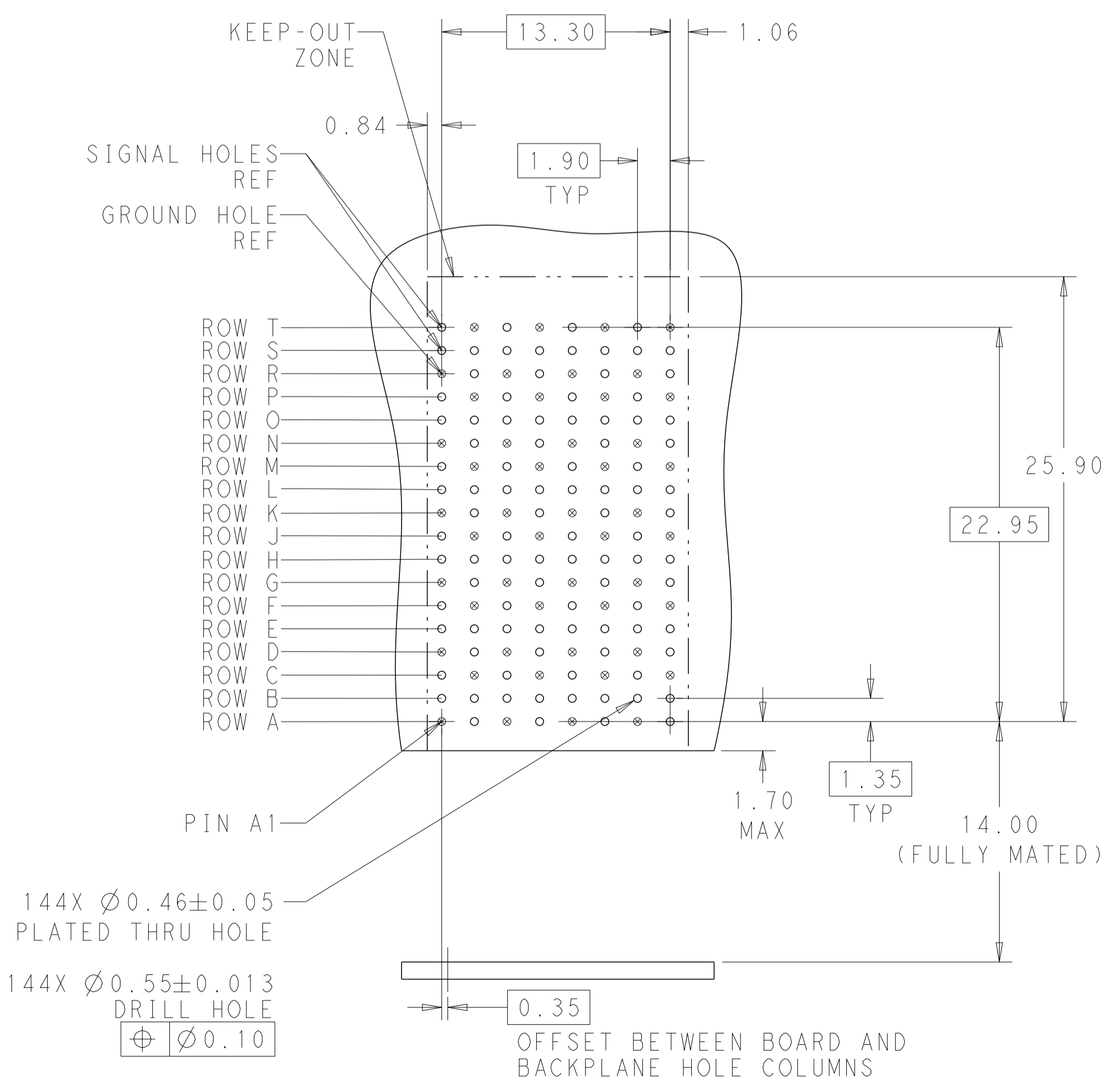
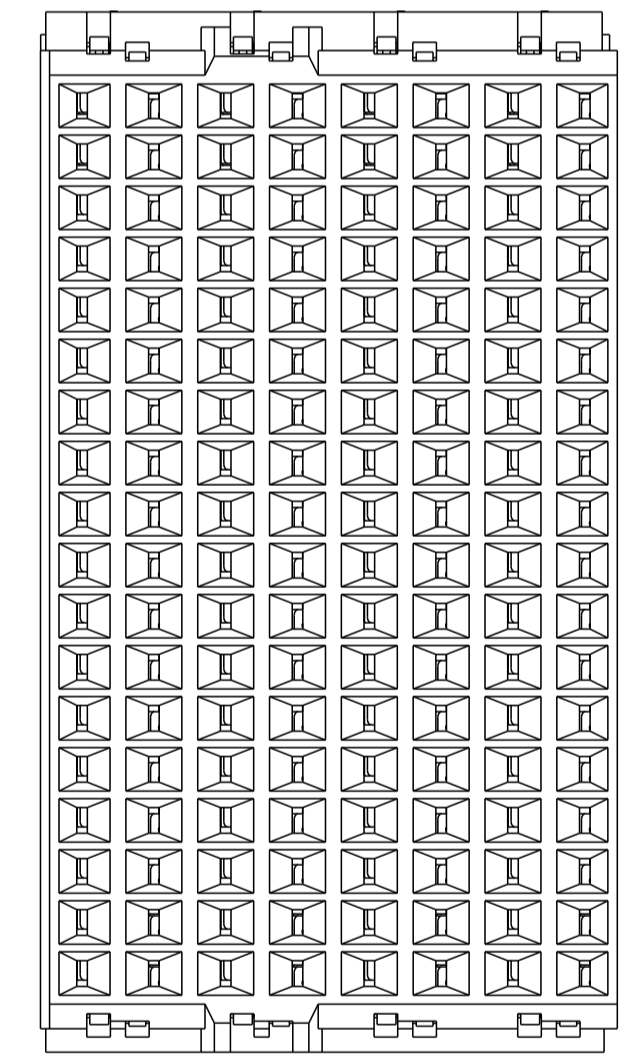
⚠ MATERIAL:  
 HOUSING: LCP, GLASS FILLED, UL94V-0.  
 TERMINALS: HIGH PERFORMANCE COPPER ALLOY.

⚠ FINISH:  
 30μ" SELECTIVE GOLD IN CONTACT AREA. SELECTIVE TIN ON PCB TAILS, NICKEL OVERALL.



SCALE 4:1

REFER TO WWW.TE.COM FOR PRODUCT AVAILABILITY



RECOMMENDED PCB LAYOUT  
 MIN BOARD THICKNESS 1.0

NONE	⚠	2132104-1
KEY POSITION	FINISH	PART NUMBER

THIS DRAWING IS A CONTROLLED DOCUMENT.		DWN	31MAR2011		NAME IMPACT, 6 PAIR, DAUGHTERCARD 8 COLUMN, UNGUIDED, SIGNAL MODULE, 0.46 EYELET
DIMENSIONS:		CHK	31MAR2011		
mm		APVD	31MAR2011		
0 PLC ± 1 PLC ±0.2 2 PLC ±0.13 3 PLC ± 4 PLC ± ANGLES ± FINISH ±		PRODUCT SPEC APPLICATION SPEC SIZE CAGE CODE DRAWING NO RESTRICTED TO			
MATERIAL		WEIGHT	A100779C=2132104	SCALE	5:1
SEE TABLE		Customer Drawing		SHEET	1 OF 1
				REV	C