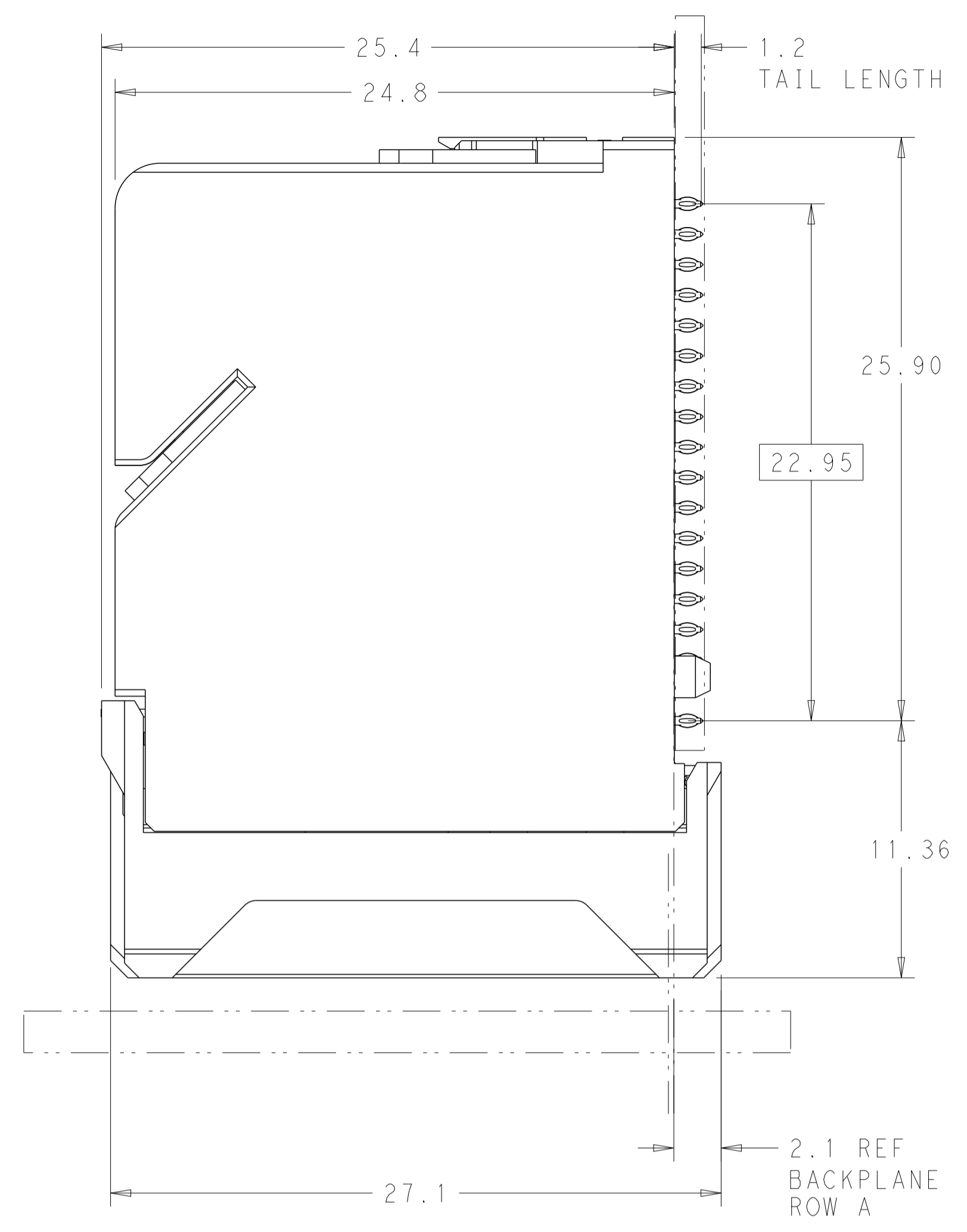
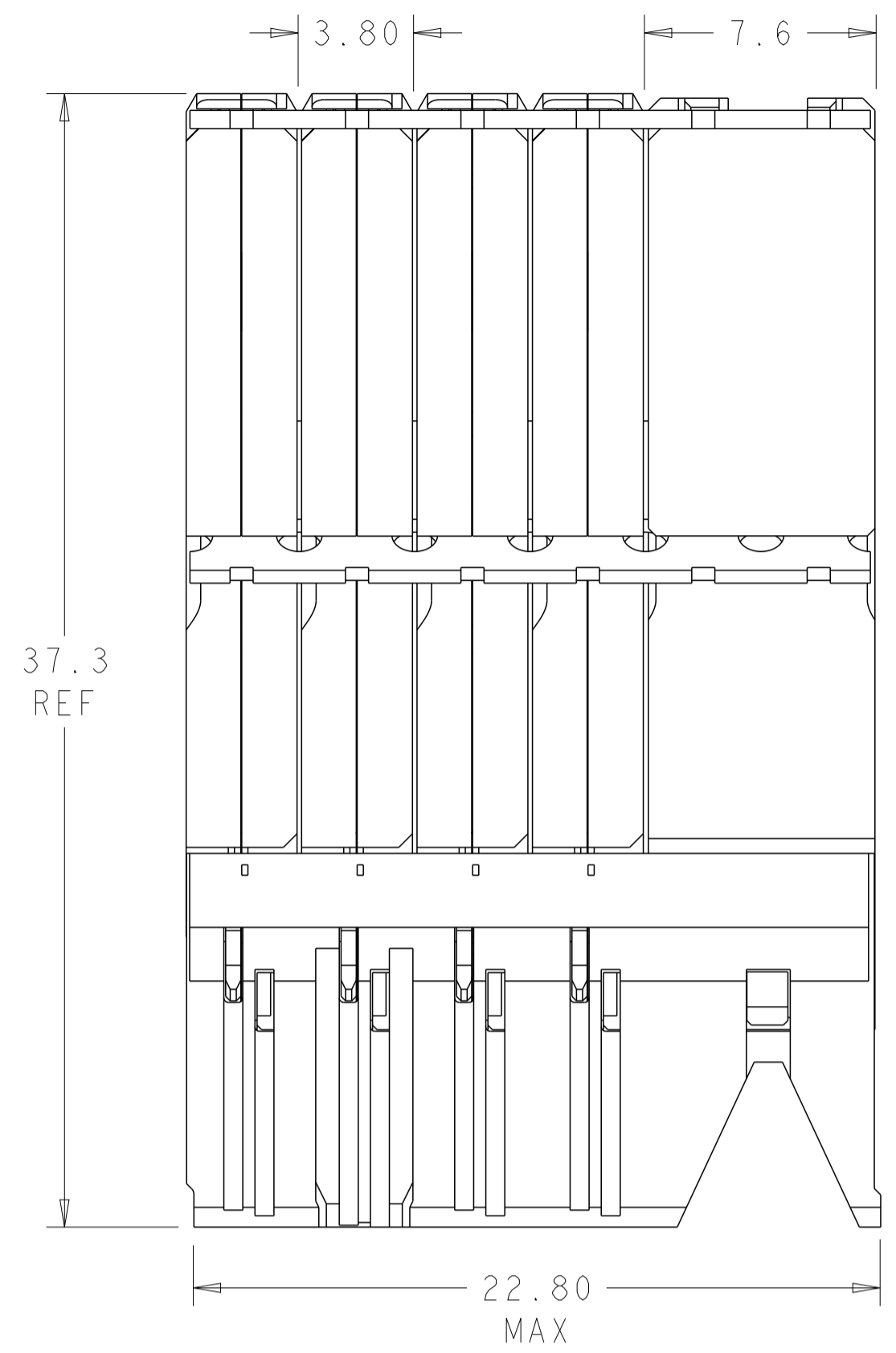
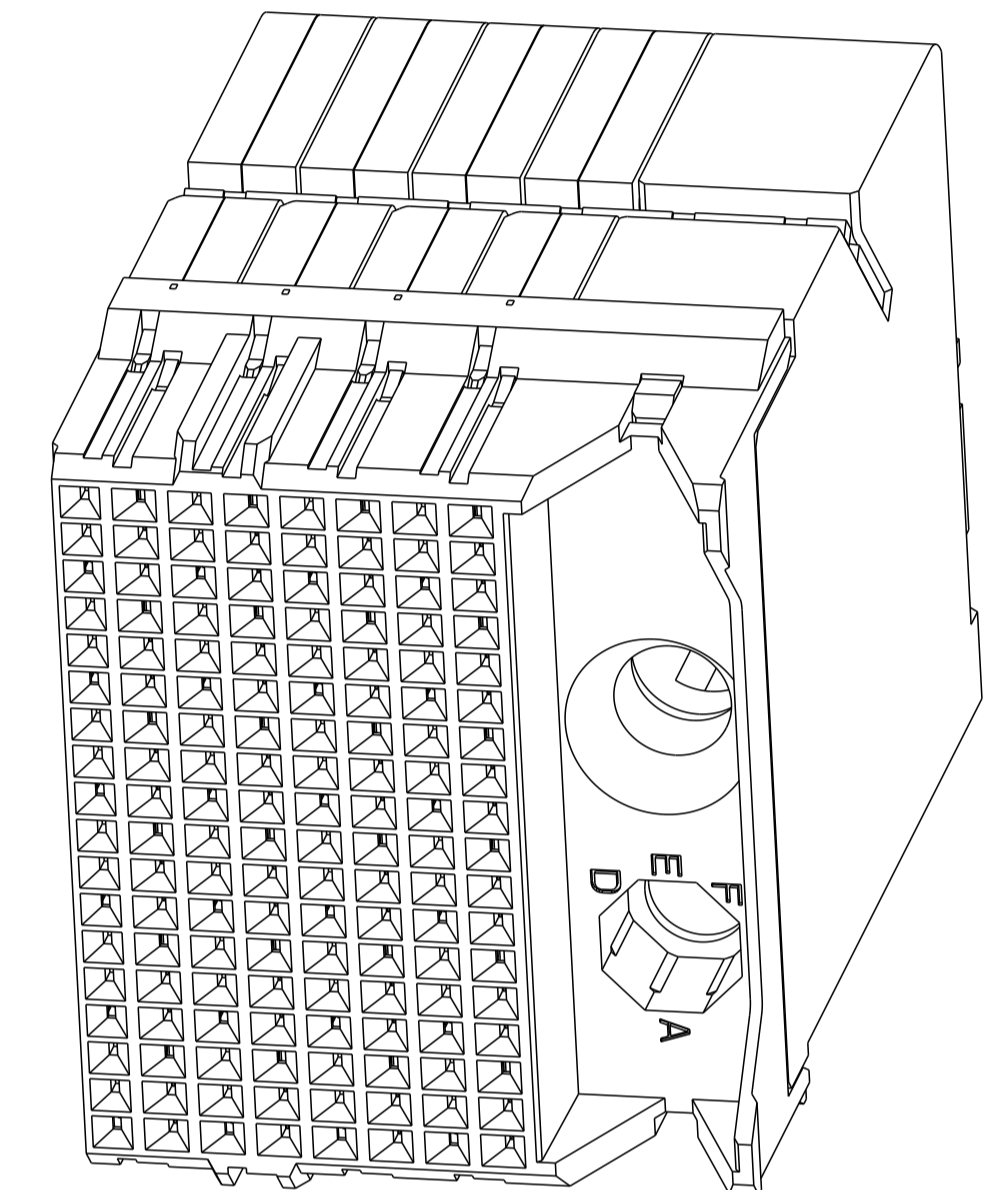


REVISIONS				
P	LTN	DESCRIPTION	DATE	APVD
C		REVISED PER ECO-15-012351	03SEP2015	AP SY

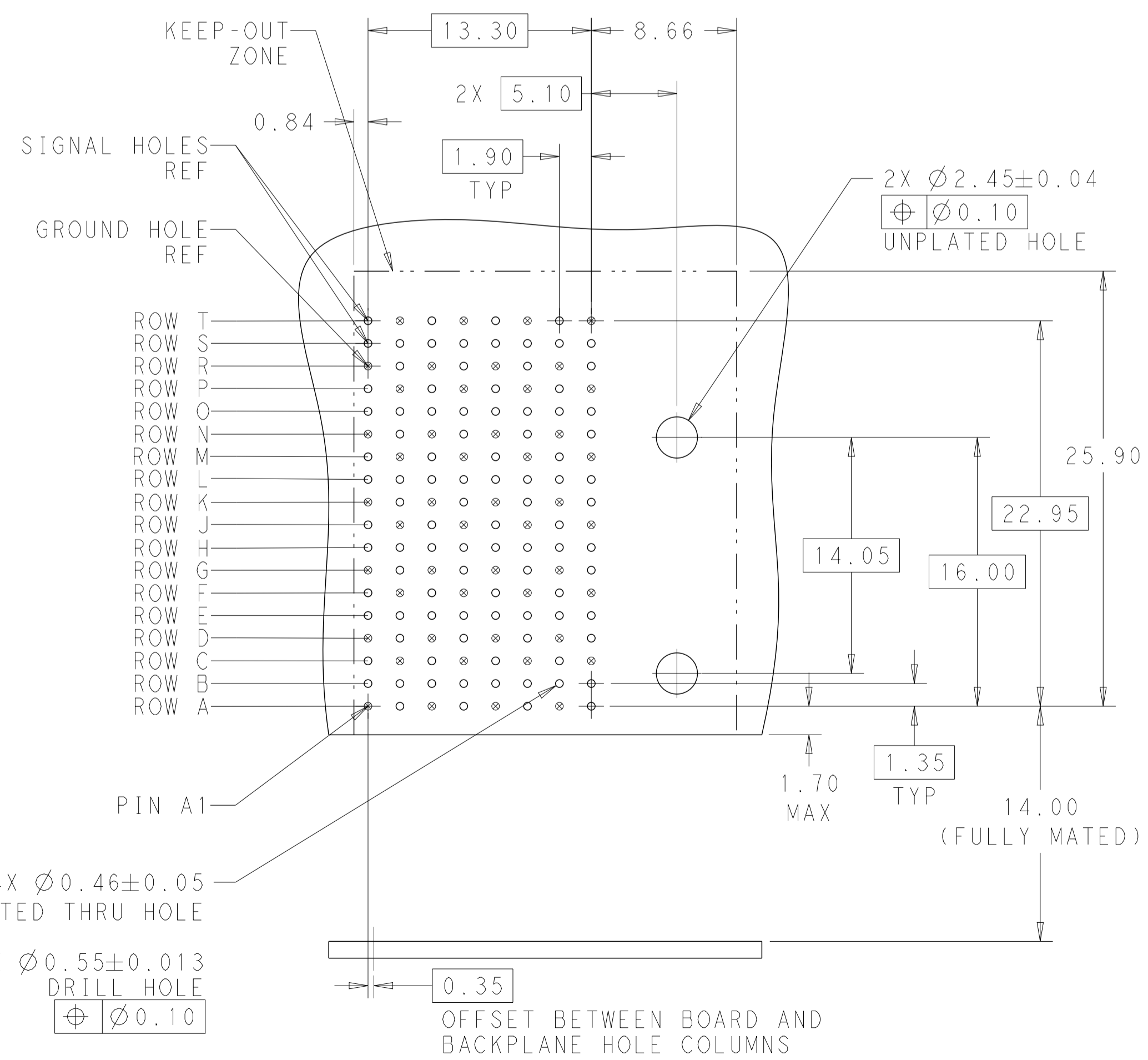
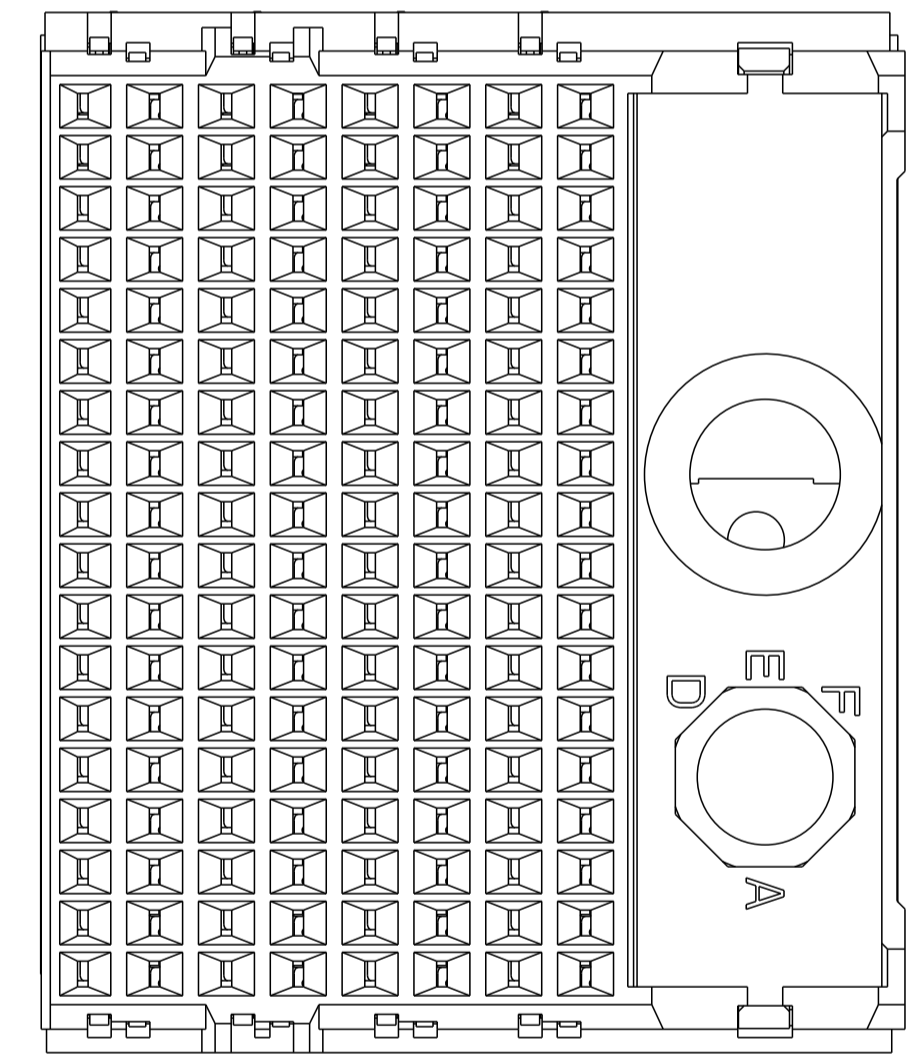


- MATERIAL:  
HOUSING: LCP, GLASS FILLED, UL94V-0.  
TERMINALS: HIGH PERFORMANCE COPPER ALLOY.
- FINISH:  
30µ" SELECTIVE GOLD IN CONTACT AREA. SELECTIVE TIN ON PCB TAILS, NICKEL OVERALL.
- CONNECTORS SUPPLIED WITH MOUNTING SCREWS.



SCALE 4:1

REFER TO WWW.TE.COM FOR PRODUCT AVAILABILITY



KEY POSITION CHART	
	NONE
	A
	B
	C
	D
	E
	F
	G
	H

KEY POSITION	FINISH	PART NUMBER
H	△	8-2132103-1
G	△	7-2132103-1
F	△	6-2132103-1
E	△	5-2132103-1
D	△	4-2132103-1
C	△	3-2132103-1
B	△	2-2132103-1
A	△	1-2132103-1
NONE	△	2132103-1

THIS DRAWING IS A CONTROLLED DOCUMENT. DWN 31MAR2011  
 CHK D. DIXON 31MAR2011  
 APVD D. DIXON 31MAR2011

DIMENSIONS: mm  
 TOLERANCES UNLESS OTHERWISE SPECIFIED:  
 0 PLC ±  
 1 PLC ±0.2  
 2 PLC ±0.13  
 3 PLC ±  
 4 PLC ±  
 ANGLES ±

MATERIAL: SEE TABLE

NAME: IMPACT, 6 PAIR, DAUGHTERCARD 8 COLUMN, RIGHT GUIDED, SIGNAL MODULE, 0.46 EYELET

SIZE: A1  
 CAGE CODE: 00779  
 DRAWING NO: C=2132103

RESTRICTED TO: Customer Drawing

SCALE: 5:1 SHEET 1 OF 1 REV C

RECOMMENDED PCB LAYOUT  
 MIN BOARD THICKNESS 1.0