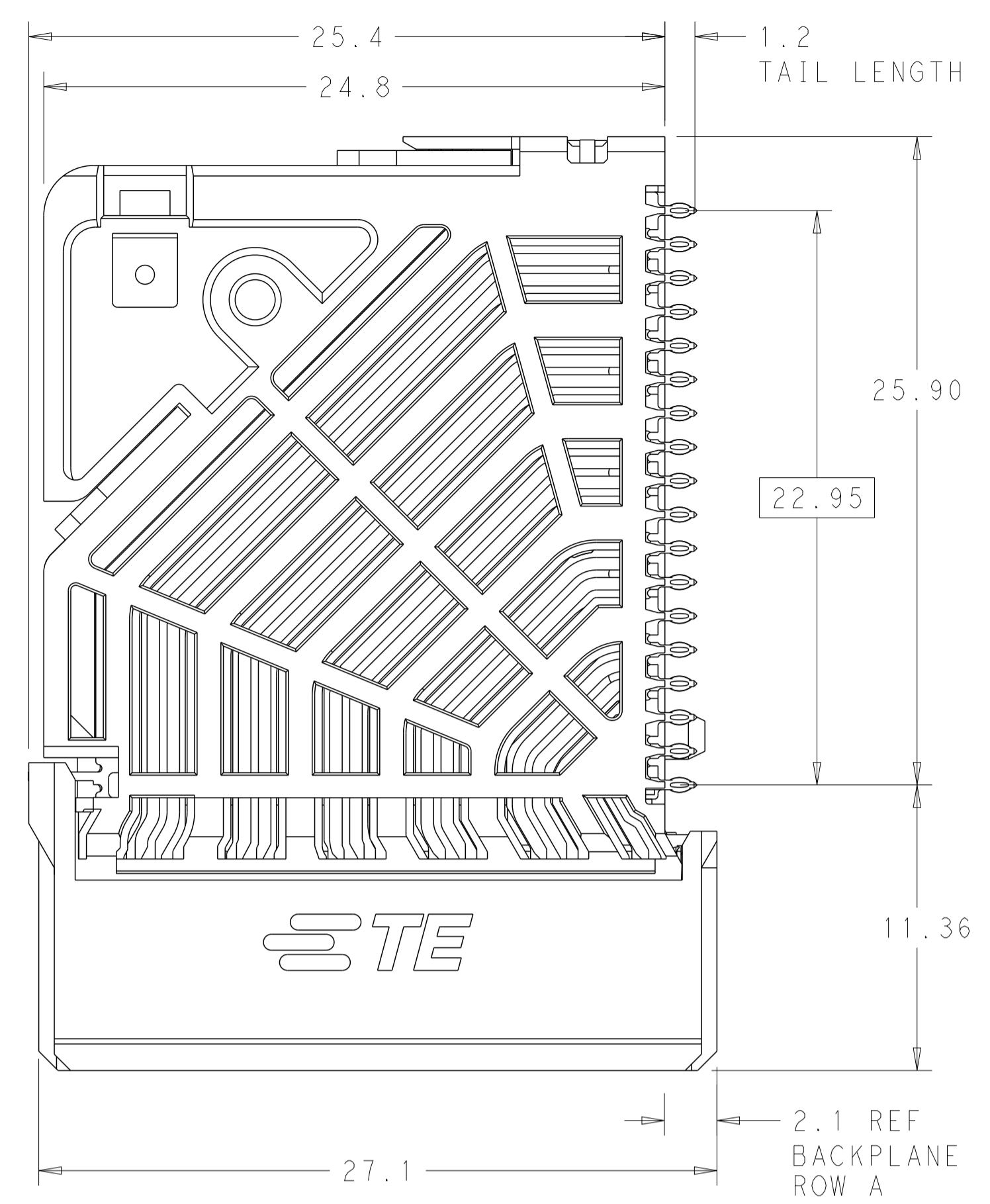
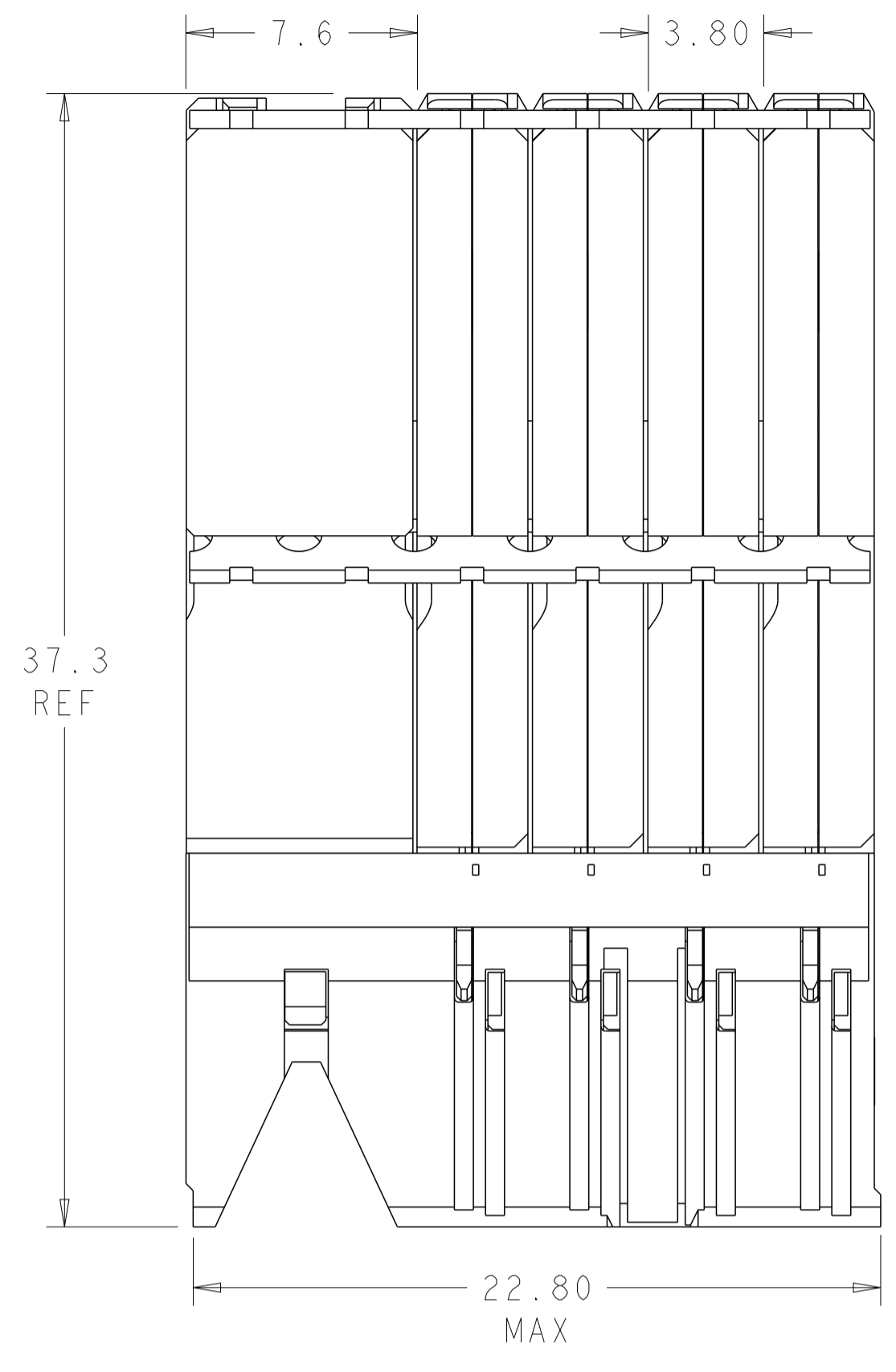
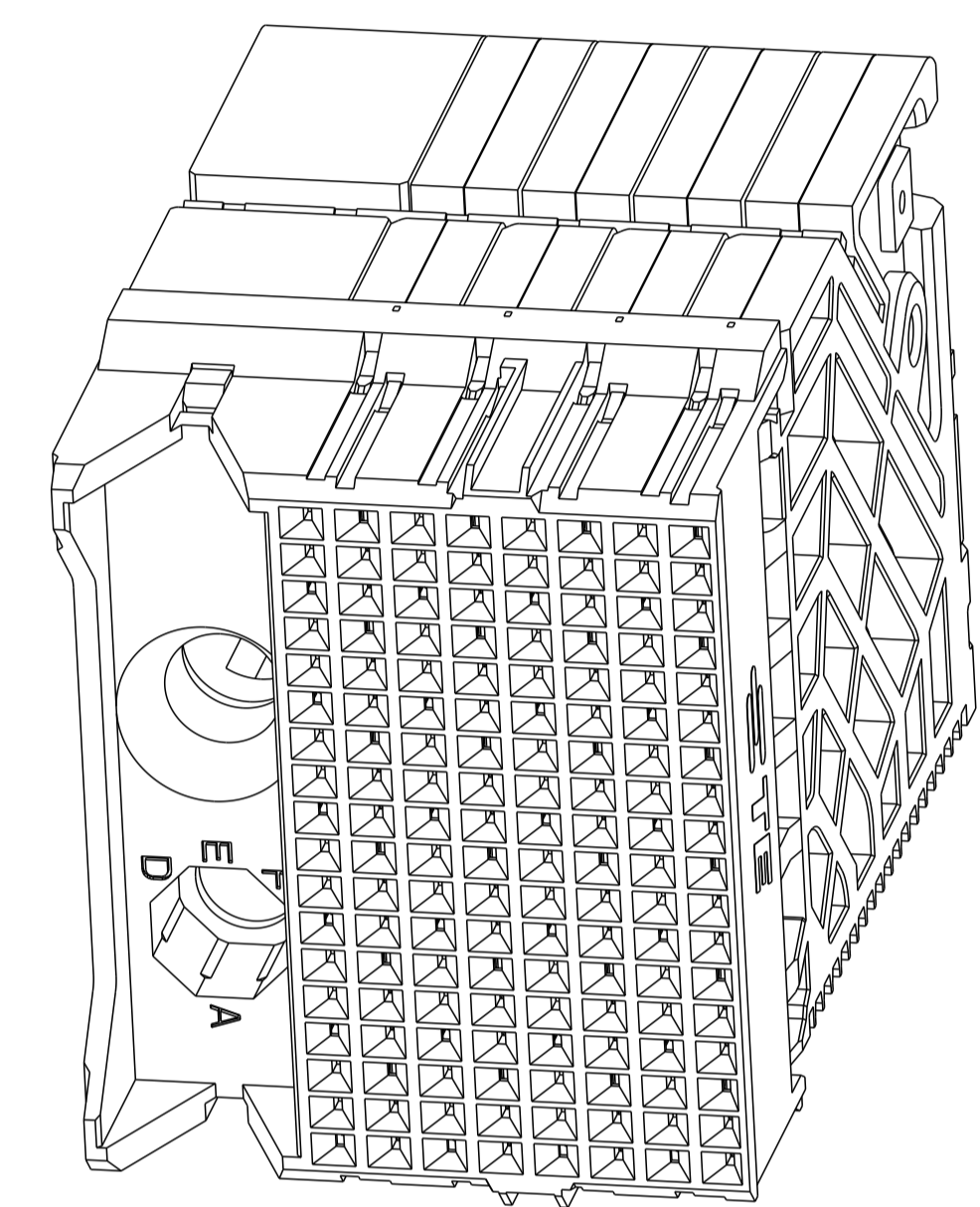


REVISIONS				
P	LTN	DESCRIPTION	DATE	APVD
C		REVISED PER ECO-15-012351	03SEP2015	AP SY

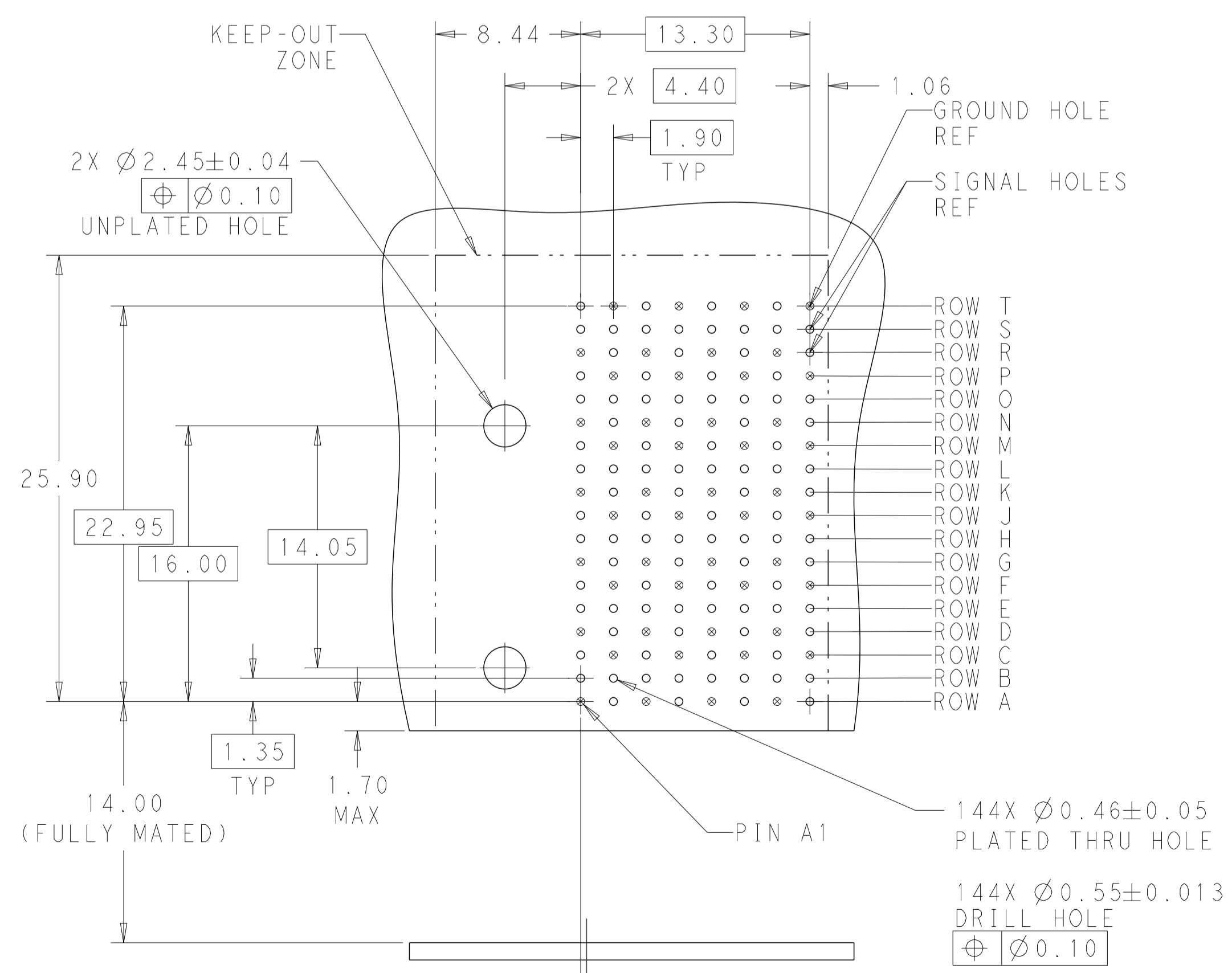
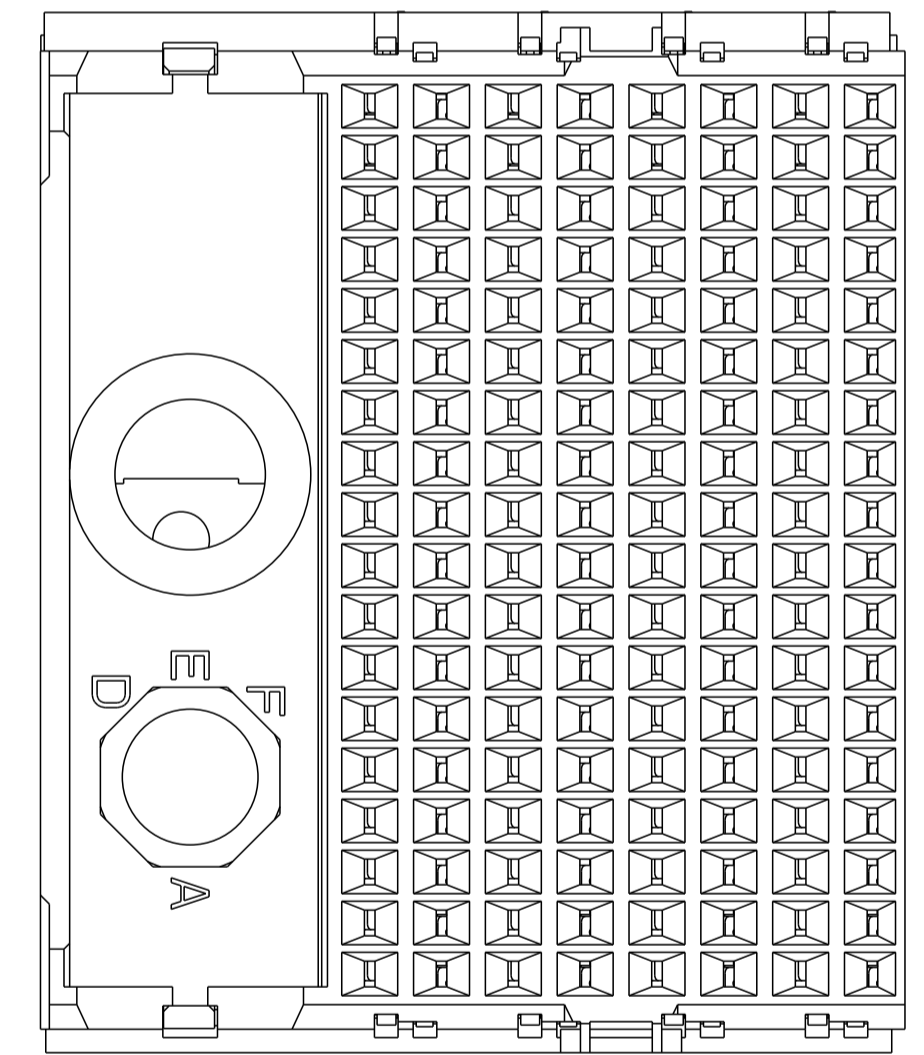


- MATERIAL:
HOUSING: LCP, GLASS FILLED, UL94V-0.
TERMINALS: HIGH PERFORMANCE COPPER ALLOY.
- FINISH:
30µ" SELECTIVE GOLD IN CONTACT AREA. SELECTIVE TIN ON PCB TAILS, NICKEL OVERALL.
- CONNECTORS SUPPLIED WITH MOUNTING SCREWS.



SCALE 4:1

REFER TO WWW.TE.COM FOR PRODUCT AVAILABILITY



KEY POSITION CHART	
	NONE
	A
	B
	C
	D
	E
	F
	G
	H
	I
	J
	K
	L
	M
	N
	O
	P
	R
	S
	T

KEY POSITION	FINISH	PART NUMBER
H	△	8-2132102-1
G	△	7-2132102-1
F	△	6-2132102-1
E	△	5-2132102-1
D	△	4-2132102-1
C	△	3-2132102-1
B	△	2-2132102-1
A	△	1-2132102-1
NONE	△	2132102-1

RECOMMENDED PCB LAYOUT
 MIN BOARD THICKNESS 1.0

THIS DRAWING IS A CONTROLLED DOCUMENT.		DWN 31MAR2011	TE Connectivity
DIMENSIONS: mm		CHK D. DIXON 31MAR2011	
TOLERANCES UNLESS OTHERWISE SPECIFIED:		APVD D. DIXON 31MAR2011	NAME: IMPACT, 6 PAIR, DAUGHTERCARD PRODUCT SPEC: 8 COLUMN, LEFT GUIDED, SIGNAL MODULE, 0.46 EYELET APPLICATION SPEC:
0 PLC ± 1 PLC ±0.2 2 PLC ±0.13 3 PLC ± 4 PLC ± ANGLES ±		SIZE: A1 CAGE CODE: 00779 DRAWING NO: C=2132102	
MATERIAL: SEE TABLE		WEIGHT: -	RESTRICTED TO: -
Customer Drawing		SCALE: 5:1	SHEET 1 OF 1 REV C