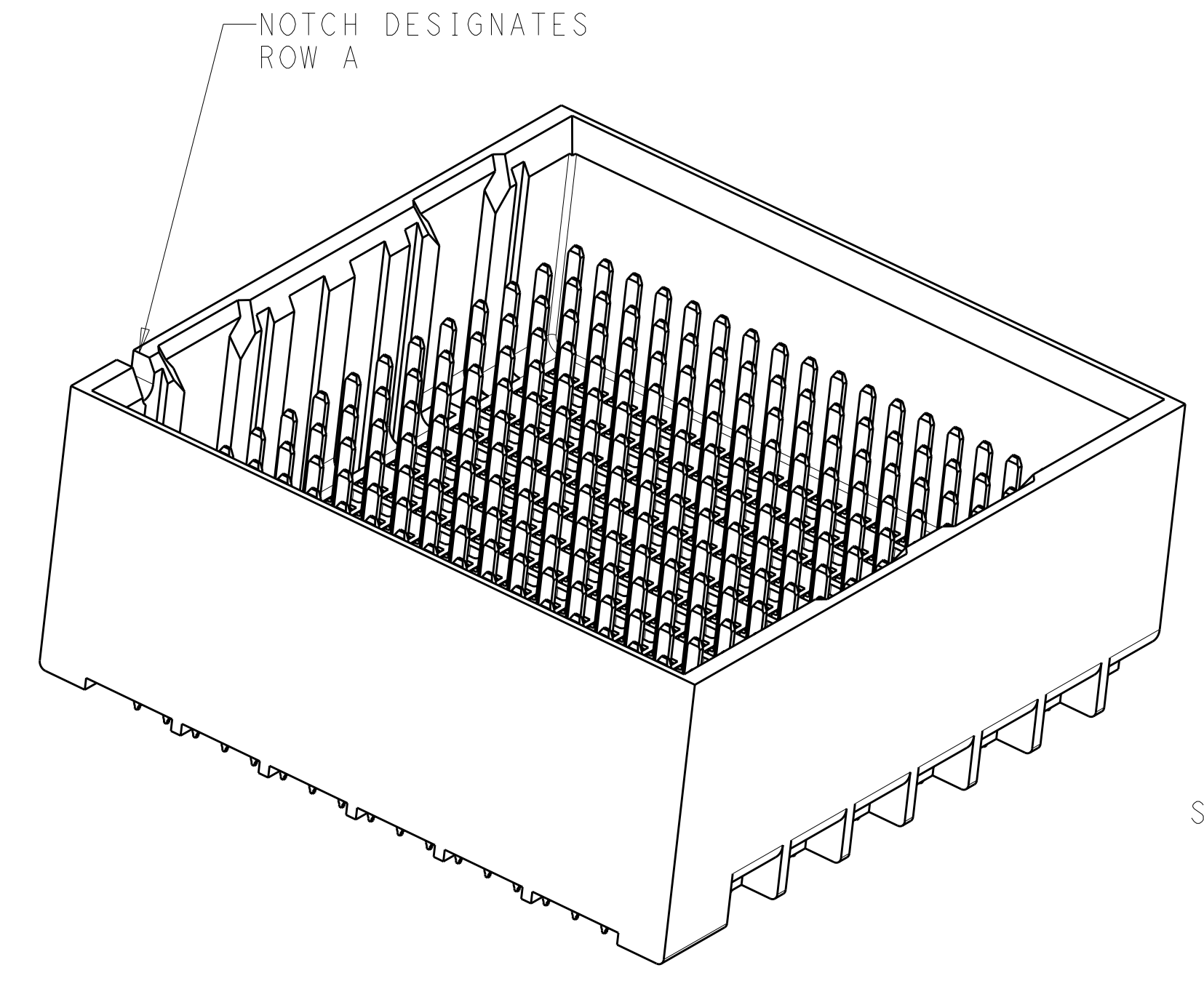
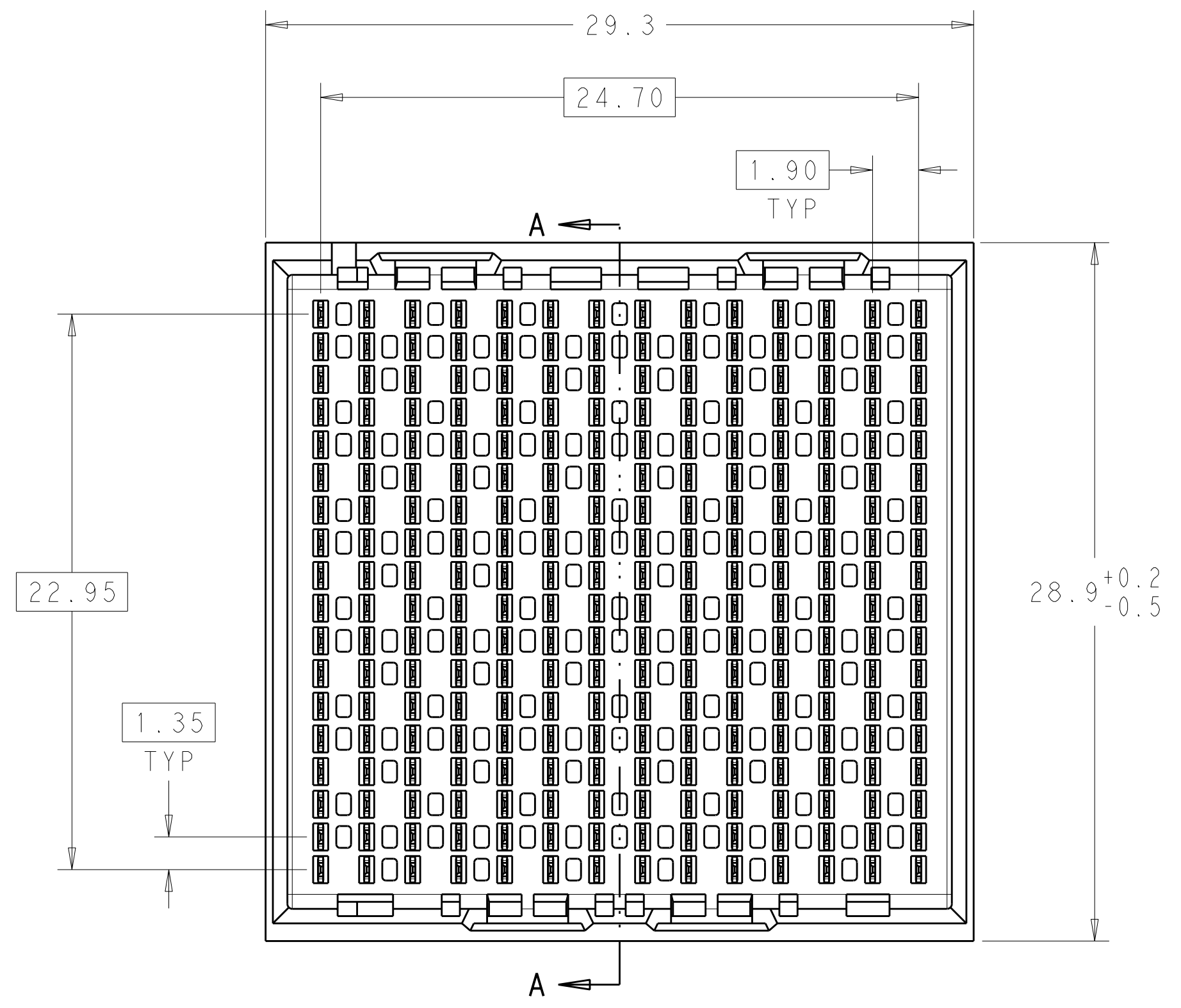
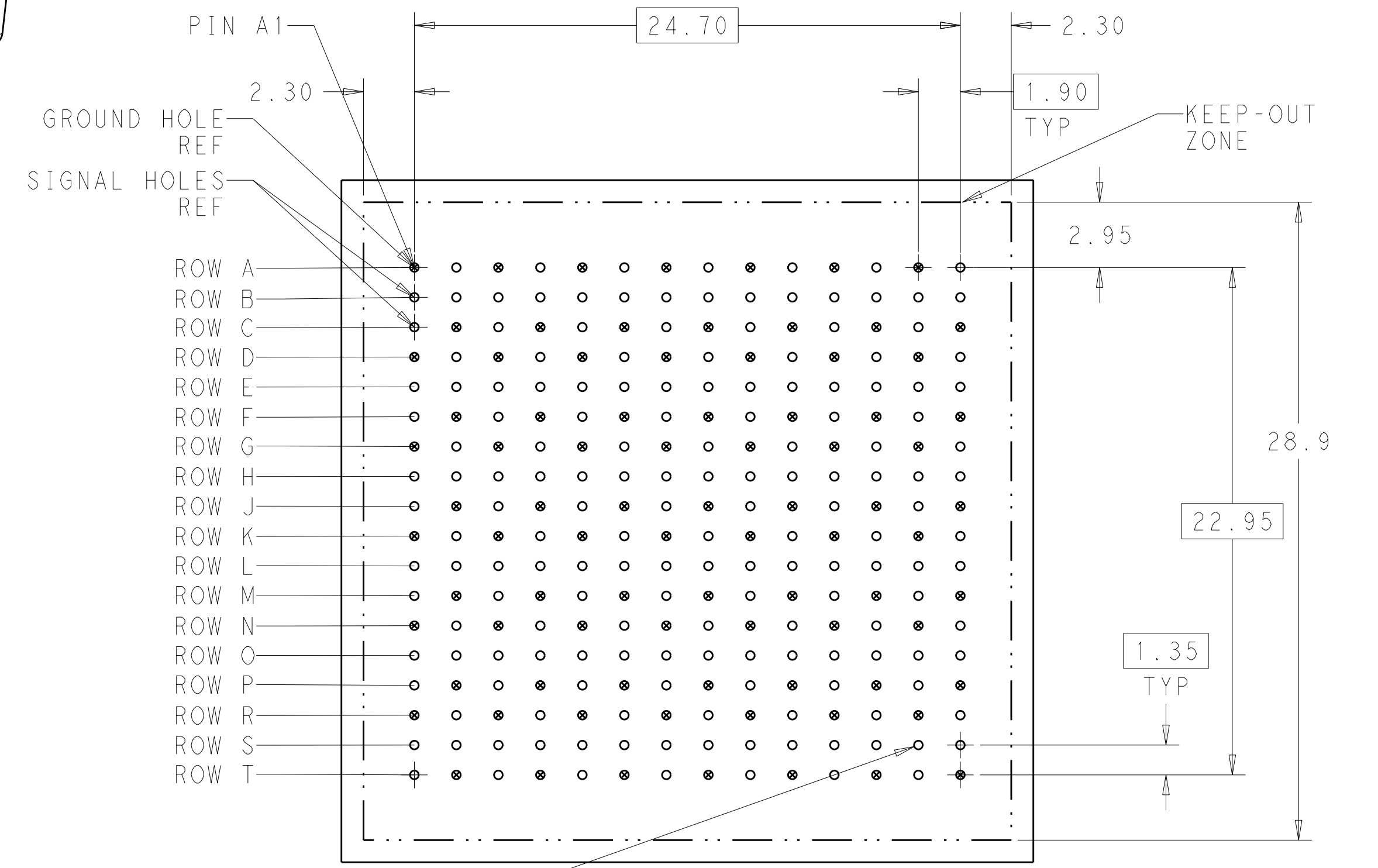


LOC		DIST		REVISIONS			
AD	00	P	LTB	DESCRIPTION	DATE	DWN	APVD
		A		CREATED BY AUTOMATION PROGRAM	02MAY2011	RKC	JE

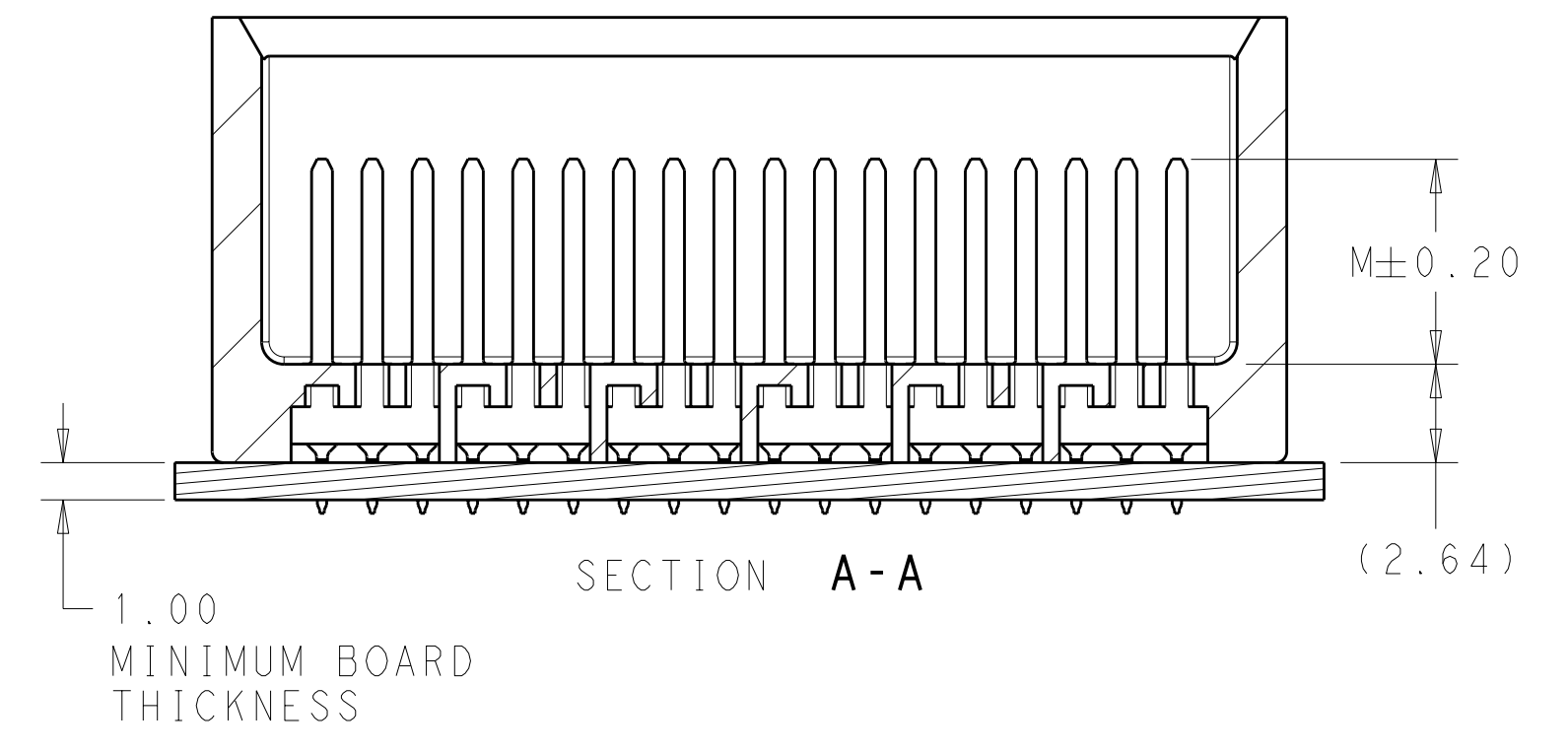
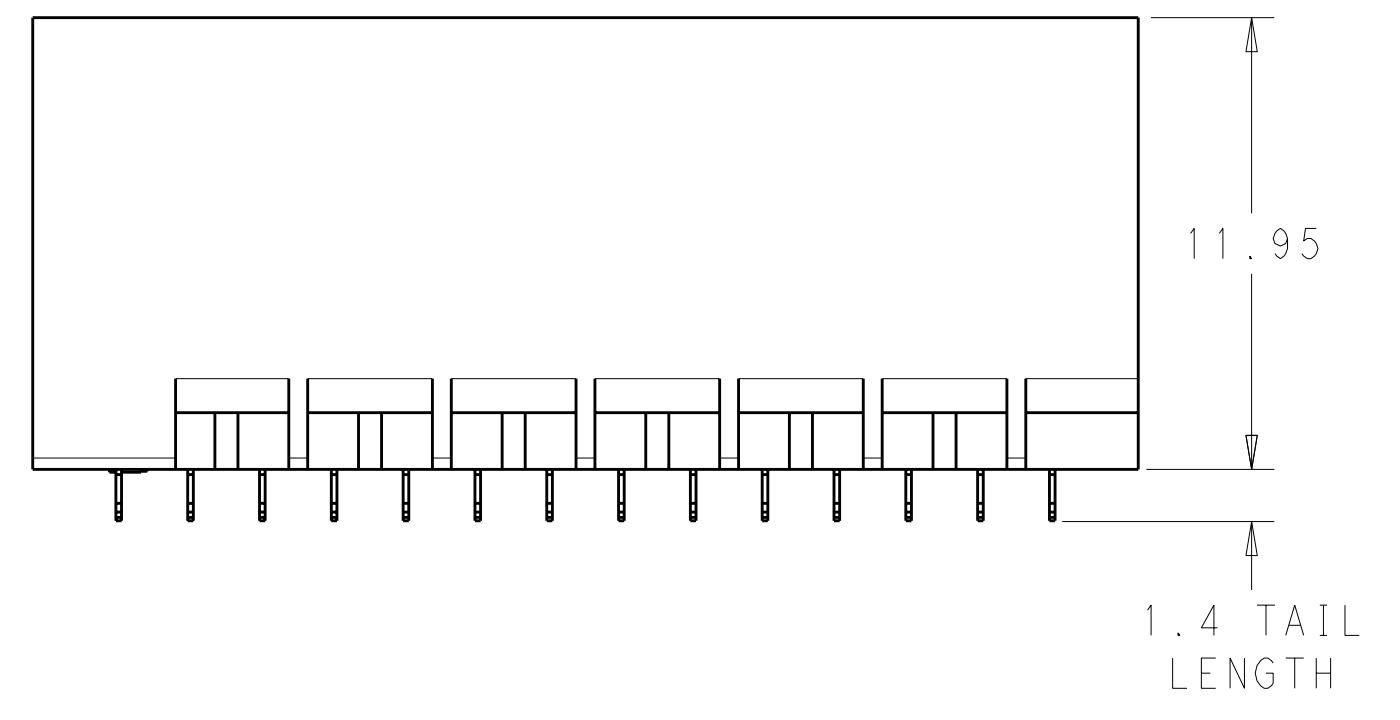


- 1 MATERIAL:
HOUSING: LCP, GLASS FILLED, UL94V-0.
TERMINALS: HIGH PERFORMANCE COPPER ALLOY.
- 2 FINISH:
30µ" MIN GOLD IN CONTACT AREA. SELECTIVE TIN
ON PCB TAILS, NICKEL OVERALL.
- 3 FINISH:
30µ" MIN GOLD IN CONTACT AREA. SELECTIVE TIN-LEAD
ON PCB TAILS, NICKEL OVERALL.



252X $\varnothing 0.39 \pm 0.05$
 $\varnothing 0.10$
 PLATED THRU HOLE

UNGUIDED
 BACKPLANE HOLE PATTERN
 (CONNECTOR SIDE)



THIS DRAWING IS A CONTROLLED DOCUMENT.		DWN R. COELLO	02MAY2011	STE TE Connectivity
DIMENSIONS:		CHK J. EABY	02MAY2011	
TOLERANCES UNLESS OTHERWISE SPECIFIED:		APVD J. EABY	02MAY2011	
mm				
0 PLC ± 1 PLC ±0.25 2 PLC ±0.13 3 PLC ± 4 PLC ± ANGLES ±		NAME IMPACT, 6 PAIR, 14 COLUMN, HEADER UNGUIDED, DUAL END WALL SIGNAL MODULE, 0.39 PTH		
MATERIAL		SIZE CAGE CODE DRAWING NO		RESTRICTED TO
FINISH SEE TABLE		A100779C=2132014		
CUSTOMER DRAWING		SCALE 5:1 SHEET 1 OF 2 REV A		

THIS DRAWING IS UNPUBLISHED. RELEASED FOR PUBLICATION 20
 © COPYRIGHT 20 BY ALL RIGHTS RESERVED.

LOC	DIST	REVISIONS				
AD	00	P	LTB	DATE	DWN	APVD
		-	-	SEE SHEET 1	-	-

FINISH	DIM M	PART NUMBER
\triangle_3	5.5	2132014-6
\triangle_3	4.9	2132014-5
\triangle_3	4.5	2132014-4
\triangle_2	5.5	2132014-3
\triangle_2	4.9	2132014-2
\triangle_2	4.5	2132014-1

REFER TO WWW.TE.COM
 FOR PRODUCT AVAILABILITY

THIS DRAWING IS A CONTROLLED DOCUMENT.		DWN R. COELLO 02MAY2011	TE TE Connectivity																					
DIMENSIONS: mm		CHK J. EABY 02MAY2011																						
TOLERANCES UNLESS OTHERWISE SPECIFIED:		APVD J. EABY 02MAY2011	NAME IMPACT, 6 PAIR, 14 COLUMN, HEADER																					
<table border="0"> <tr> <td>0 PLC</td> <td>±</td> <td></td> </tr> <tr> <td>1 PLC</td> <td>±0.25</td> <td></td> </tr> <tr> <td>2 PLC</td> <td>±0.13</td> <td></td> </tr> <tr> <td>3 PLC</td> <td>±</td> <td></td> </tr> <tr> <td>4 PLC</td> <td>±</td> <td></td> </tr> <tr> <td>ANGLES</td> <td>±</td> <td></td> </tr> <tr> <td>FINISH</td> <td>±</td> <td></td> </tr> </table>		0 PLC	±		1 PLC	±0.25		2 PLC	±0.13		3 PLC	±		4 PLC	±		ANGLES	±		FINISH	±		PRODUCT SPEC	UNGUIDED, DUAL END WALL
0 PLC	±																							
1 PLC	±0.25																							
2 PLC	±0.13																							
3 PLC	±																							
4 PLC	±																							
ANGLES	±																							
FINISH	±																							
MATERIAL		APPLICATION SPEC	SIGNAL MODULE, 0.39 PTH																					
WEIGHT		SIZE CAGE CODE DRAWING NO	RESTRICTED TO																					
CUSTOMER DRAWING		A100779C=2132014																						
SCALE 5:1		SHEET 2 OF 2	REV A																					