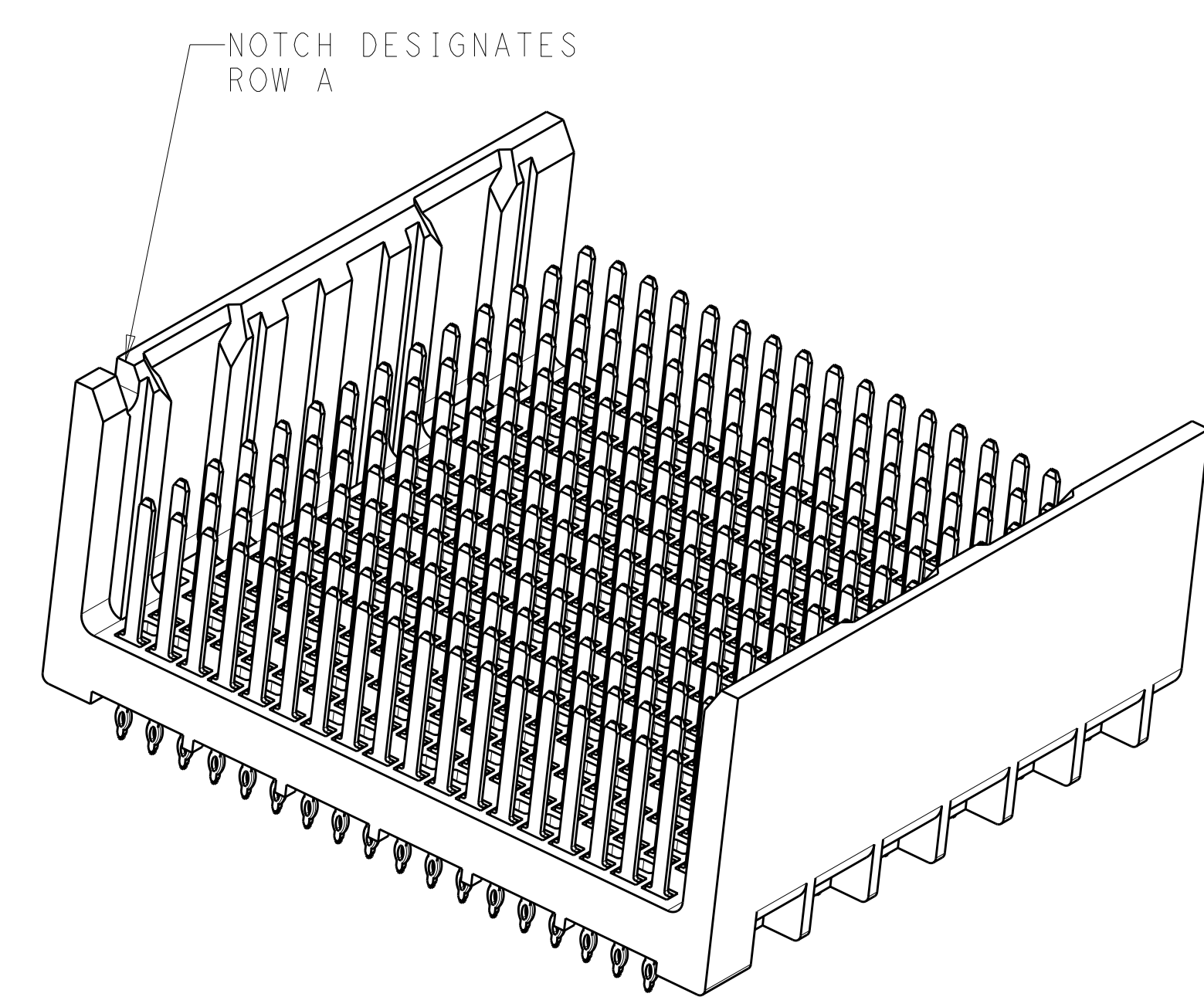
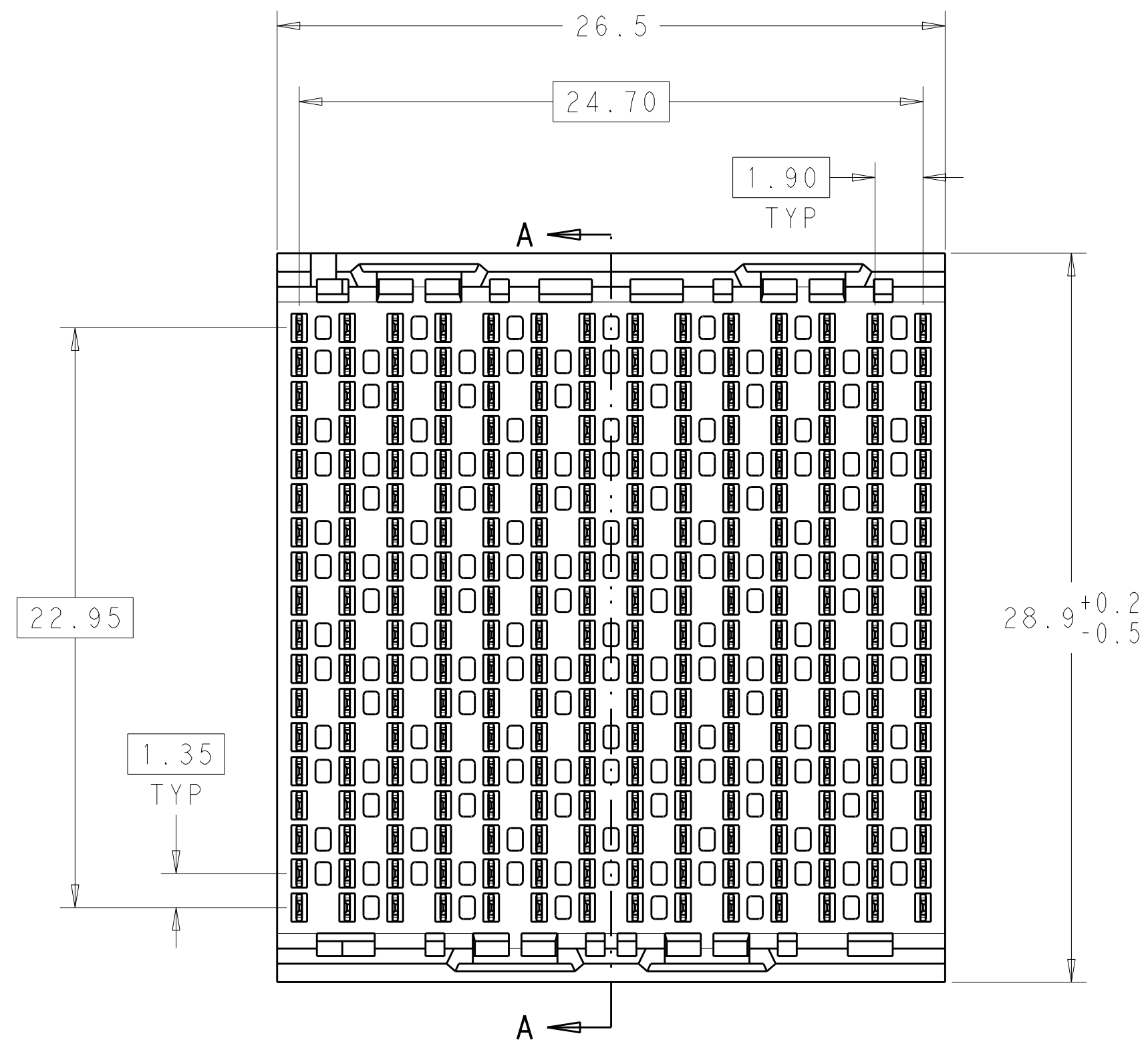
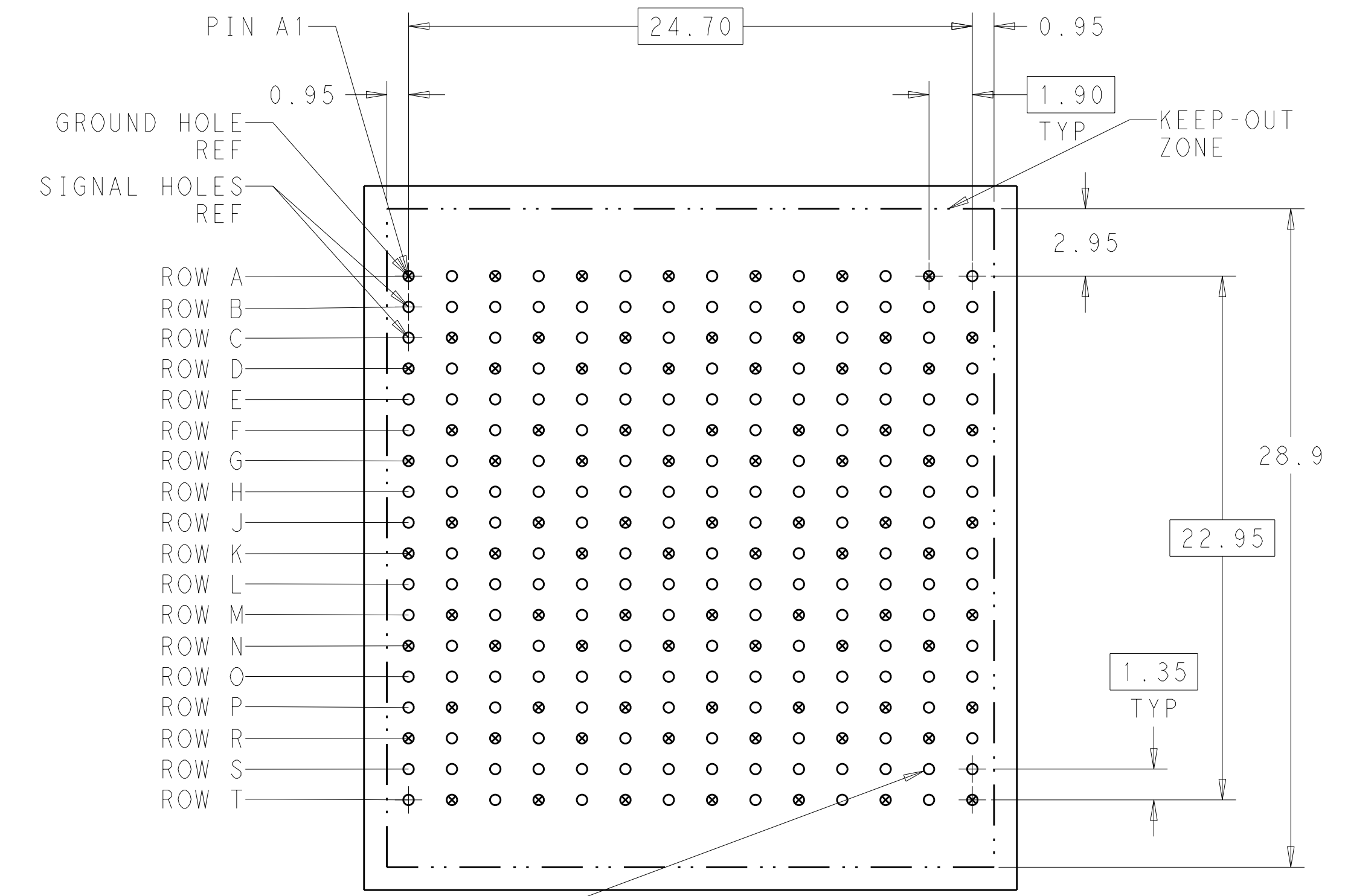


LOC	DIST	REV	DATE	BY	CHK	APPV
AD	00	A	02MAY2011	RKC	JE	

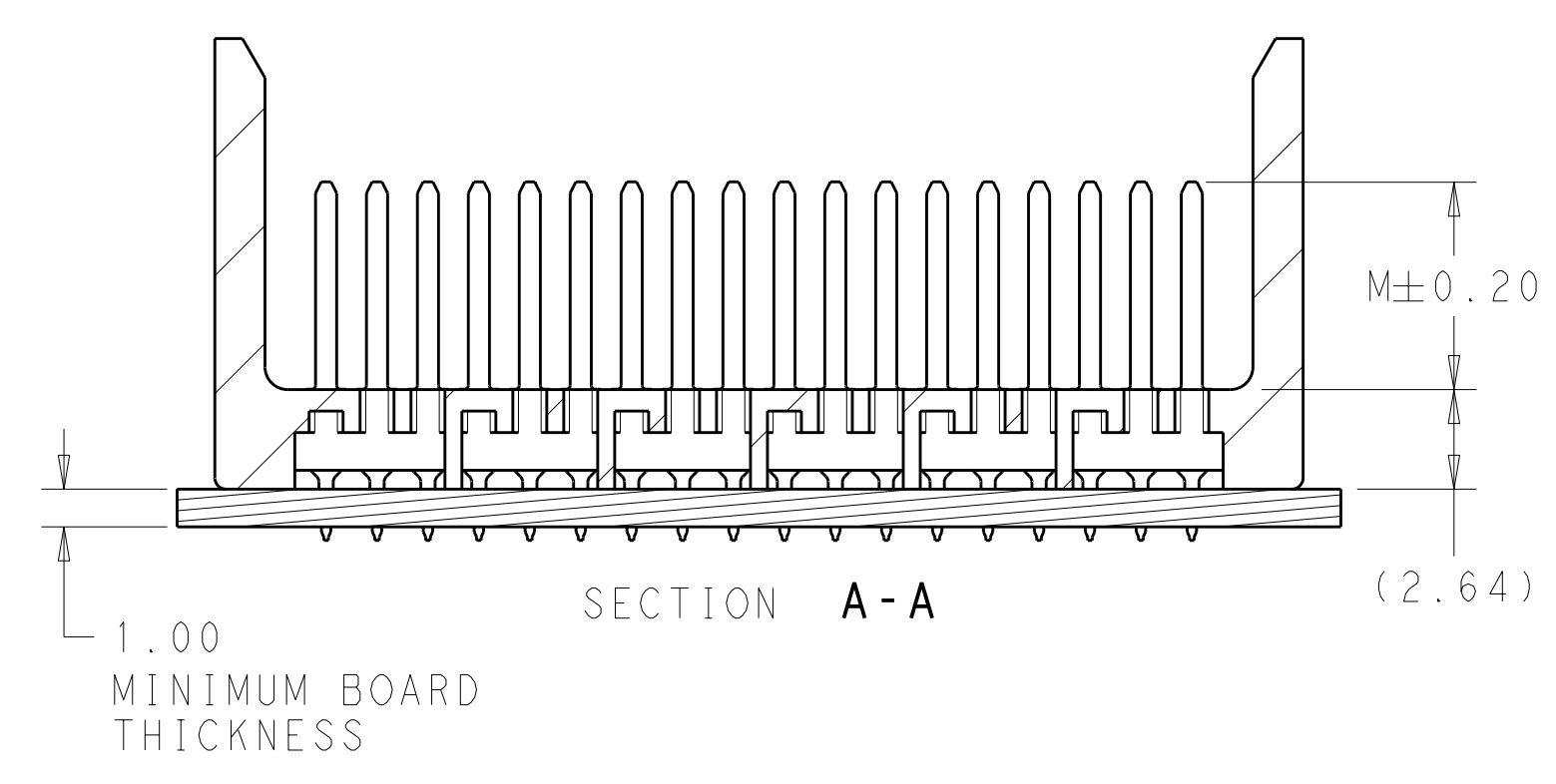
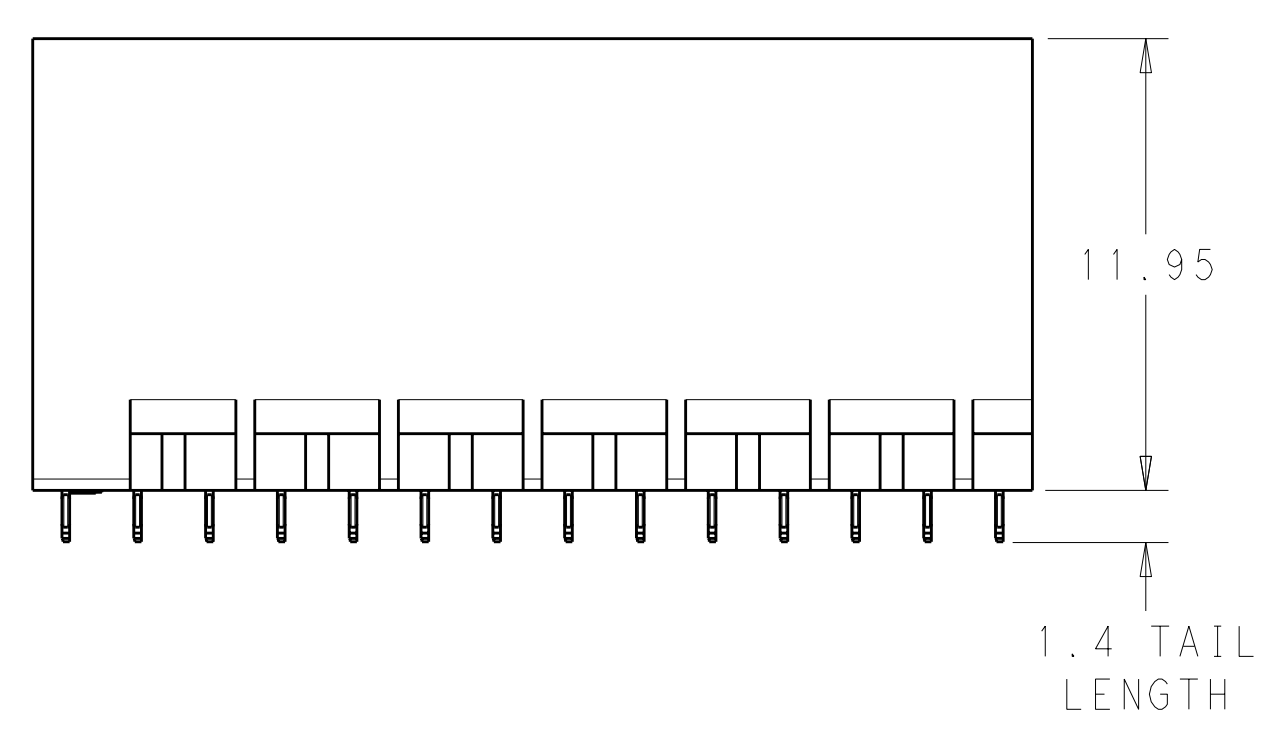


- 1 MATERIAL:
HOUSING: LCP, GLASS FILLED, UL94V-0.
TERMINALS: HIGH PERFORMANCE COPPER ALLOY.
- 2 FINISH:
30µ" MIN GOLD IN CONTACT AREA. SELECTIVE TIN
ON PCB TAILS, NICKEL OVERALL.
- 3 FINISH:
30µ" MIN GOLD IN CONTACT AREA. SELECTIVE TIN-LEAD
ON PCB TAILS, NICKEL OVERALL.



252X $\varnothing 0.46 \pm 0.05$
 $\varnothing 0.10$
 PLATED THRU HOLE

UNGUIDED
 BACKPLANE HOLE PATTERN
 (CONNECTOR SIDE)



THIS DRAWING IS A CONTROLLED DOCUMENT.		DWN R. COELLO	02MAY2011	STE TE Connectivity
DIMENSIONS:		CHK J. EABY	02MAY2011	
TOLERANCES UNLESS OTHERWISE SPECIFIED:		APVD J. EABY	02MAY2011	
mm		NAME		
0 PLC ± 1 PLC ±0.25 2 PLC ±0.13 3 PLC ± 4 PLC ± ANGLES ± FINISH SEE TABLE		PRODUCT SPEC APPLICATION SPEC WEIGHT CUSTOMER DRAWING		IMPACT, 6 PAIR, 14 COLUMN, HEADER UNGUIDED, OPEN END WALL SIGNAL MODULE, 0.46 PTH
MATERIAL		SIZE CAGE CODE DRAWING NO		RESTRICTED TO
		A100779C=2132008		
		SCALE 5:1 SHEET 1 OF 2 REV A		

THIS DRAWING IS UNPUBLISHED. RELEASED FOR PUBLICATION 20
 BY . . . ALL RIGHTS RESERVED.

LOC	DIST	REVISIONS				
		P	LTB	DATE	DWN	APVD
AD	00	-	-	SEE SHEET 1	-	-

FINISH	DIM M	PART NUMBER
\triangle_3	5.5	2132008-6
\triangle_3	4.9	2132008-5
\triangle_3	4.5	2132008-4
\triangle_2	5.5	2132008-3
\triangle_2	4.9	2132008-2
\triangle_2	4.5	2132008-1

REFER TO WWW.TE.COM
FOR PRODUCT AVAILABILITY

THIS DRAWING IS A CONTROLLED DOCUMENT.		DWN R. COELLO 02MAY2011	STE TE Connectivity
DIMENSIONS: mm		CHK J. EABY 02MAY2011	
TOLERANCES UNLESS OTHERWISE SPECIFIED:		APVD J. EABY 02MAY2011	NAME IMPACT, 6 PAIR, 14 COLUMN, HEADER
<ul style="list-style-type: none"> 9 PLC ± 7 PLC ±0.25 5 PLC ±0.13 3 PLC ± 4 PLC ± ANGLES ± FINISH SEE TABLE 		PRODUCT SPEC	UNGUIDED, OPEN END WALL
MATERIAL		APPLICATION SPEC	SIGNAL MODULE, 0.46 PTH
WEIGHT		SIZE CAGE CODE DRAWING NO	RESTRICTED TO
CUSTOMER DRAWING		A100779C=2132008	
SCALE 5:1		SHEET 2 OF 2	REV A