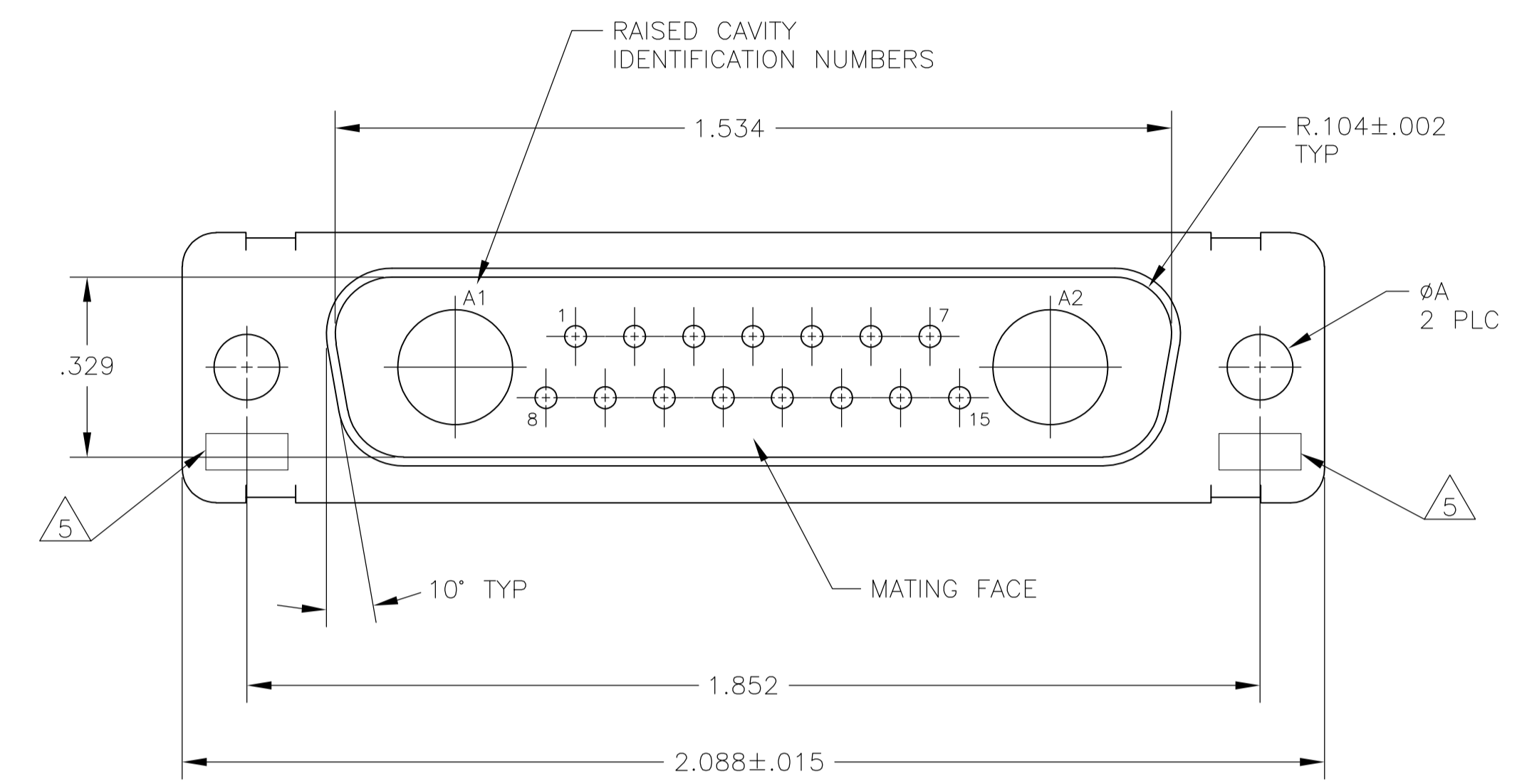
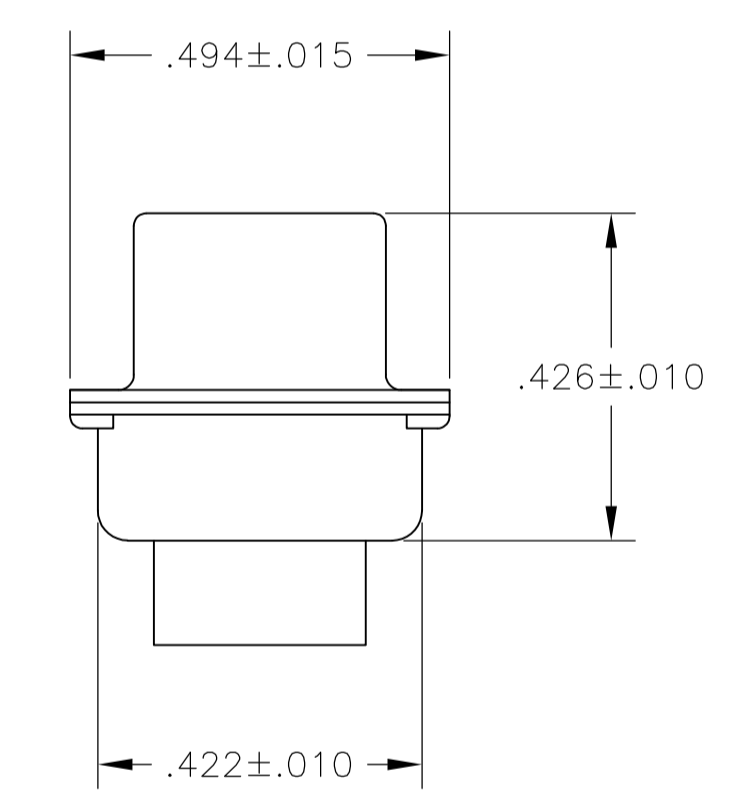
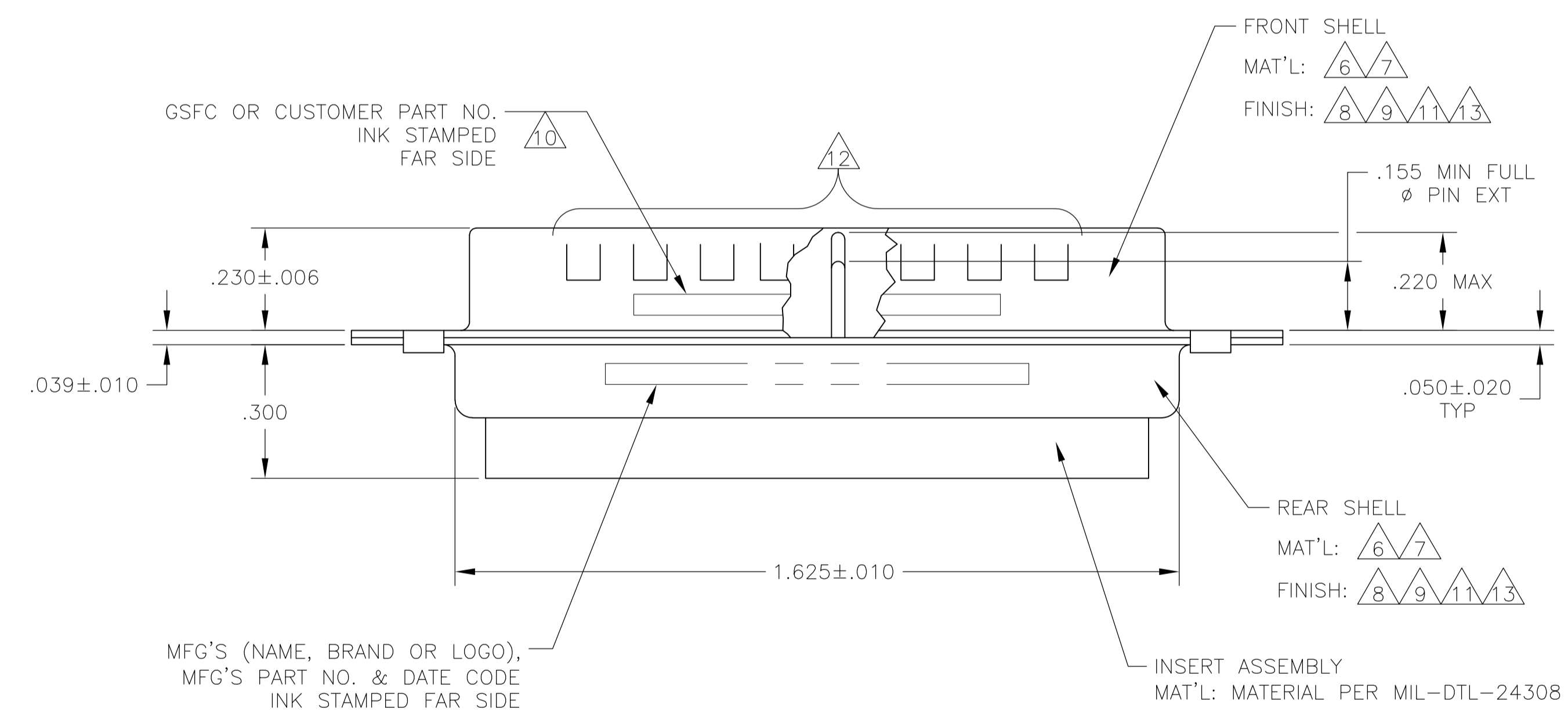


| LOC |     | DIST                      |         | REVISIONS |      |  |  |
|-----|-----|---------------------------|---------|-----------|------|--|--|
| P   | LTR | DESCRIPTION               | DATE    | DN        | APVD |  |  |
| M   |     | REVISED PER ECO-15-016251 | 13NOV15 | KG        | CD   |  |  |

- THIS PLUG WILL MATE WITH ANY 17C2, SIZE 3 RECEPTACLE IN AMPLIMITE SERIES.
- MAXIMUM WIRE INSULATION TO BE USED WITH THIS PLUG IS  $\phi$ .068.
- THIS CONNECTOR ACCEPTS (2) POWER 8, OR COAX PIN CONTACTS IN POSITIONS A1 & A2, PURCHASED SEPARATELY.
- THIS CONNECTOR ACCEPTS SIZE 20 PIN SIGNAL CONTACTS IN POSITIONS 1 THRU 15, PURCHASED SEPARATELY.



- 5 UL/CSA DESIGNATION STAMPED IN THIS AREA, OPTIONAL.
- 6 STEEL PER ASTM-A-109.
- 7 BRASS PER MIL-C-50 AND ASTM-B-36 UNS NO. C26000.
- 8 CADMIUM PLATED PER QQ-P-416.
- 9 GOLD PLATED PER MIL-G-45204 TYPE II, GRADE C, CLASS 1 OVER COPPER PER MIL-C-14550, CLASS IV.
- 10 WESTINGHOUSE PART NO. 97942-645A935H05 INK STAMPED.
- 11 FINISH: TIN PER ASTM-B-545 .000400 MIN THK OVER COPPER PER AMS2418 .000050 MIN THK.
- 12 GROUNDING INDENTS FOR 212506-5 & 5-212506-5 ONLY.
- 13 FINISH: ZINC PLATE PER ASTM-B-633 .000200-.000400 THK WITH SUPPLEMENTARY CHROMATE (Cr3+).



|         |      |                  |            |
|---------|------|------------------|------------|
| 6/13    | .120 | -                | 5-212506-1 |
| 6/12/11 | .120 | -                | 5-212506-5 |
| 6/11/12 | .120 | -                | 212506-5   |
| 7/9     | .154 | 311P405-13S-B-15 | 212506-4   |
| 6/8/10  | .120 | -                | 212506-3   |
| 7/9     | .120 | 311P405-13S-B-12 | 212506-2   |
| 6/8     | .120 | -                | 212506-1   |
| REMARKS | φA   | GSFC P/N         | PART NO.   |

THIS DRAWING IS A CONTROLLED DOCUMENT.

|                    |  |                              |                              |                               |  |
|--------------------|--|------------------------------|------------------------------|-------------------------------|--|
| DIMENSIONS: INCHES | TOLERANCES UNLESS OTHERWISE SPECIFIED: | DIN MANJUNATH G.M. 27-May-15 | CHK CHARLES THOMAS 27-May-15 | APVD CHARLES THOMAS 27-May-15 | NAME PLUG ASSEMBLY AMPLIMITE 17C2 SIZE 3, SERIES 109, COAX MIX |
| 0 PLC ± -          | 1 PLC ± -                              | 2 PLC ± -                    | 3 PLC ± .005(0.13)           | 4 PLC ± ± 0°30'               | SIZE A1 00779C=212506  |
| MATERIAL           | FINISH                                 | WEIGHT                       | SCALE 4:1                    | SHEET 1 OF 1                  | REV M  |

CUSTOMER DRAWING