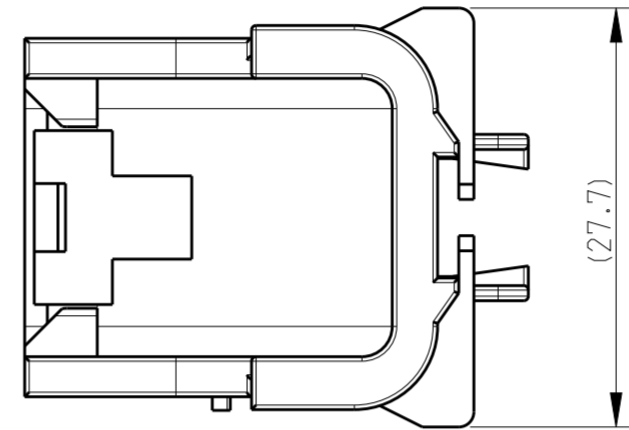
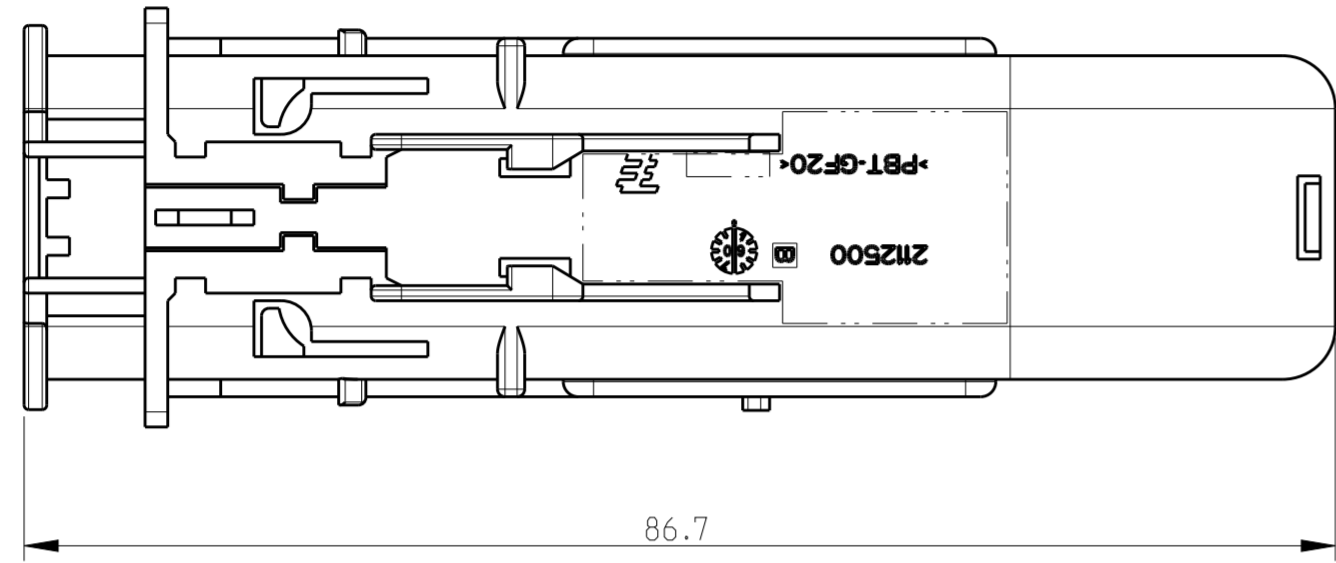


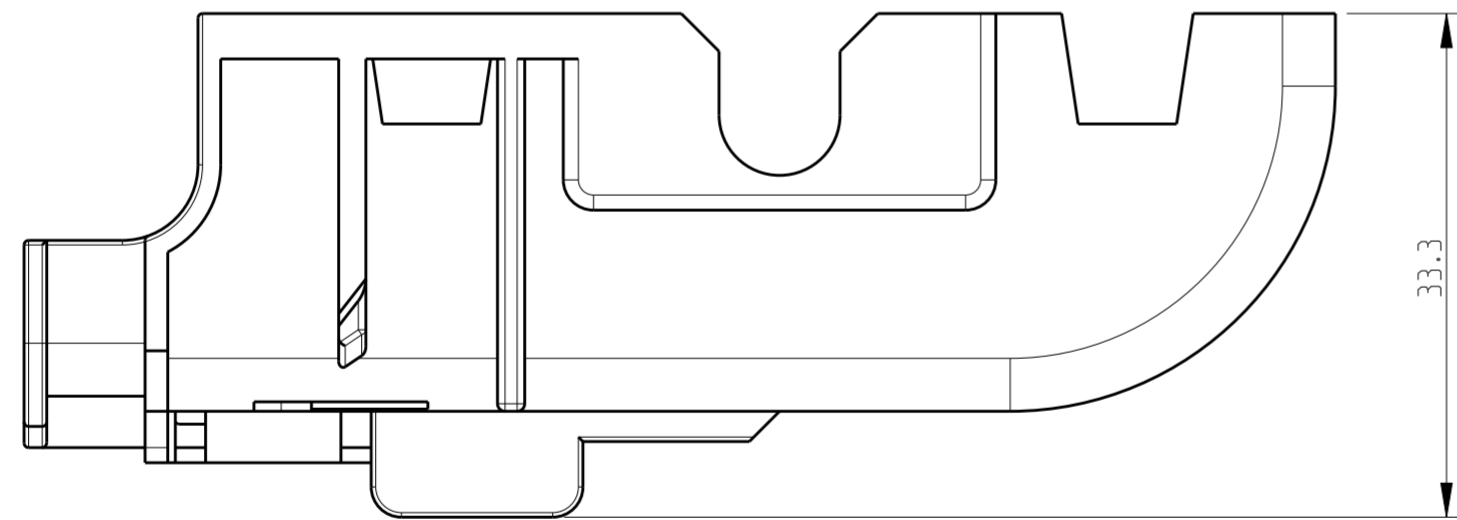
THIS DRAWING IS UNPUBLISHED. RELEASED FOR PUBLICATION
 © COPYRIGHT 23APR2014 BY TE CONNECTIVITY ALL RIGHTS RESERVED.

| REVISIONS | | | | |
|-----------|-----|---------------------------|-----------|-----------|
| P | LTR | DESCRIPTION | DATE | APVD |
| B | | NEW DRAWING ECR-14-005954 | 17APR2014 | T.D Thiel |



- 1 THE PART NO 2112500-2 IS USED TOGETHER WITH 2112499
- 2 PACKAGED IN LAYERS

- 1 DAS TEIL 2112500-2 WIRD ZUSAMMEN MIT 2112499 VERBAUT
- 2 VERPACKT IN LAGEN



| | | | | |
|-------------|------|----------|----------------|--------------------|
| 0-2112500-2 | B | PBT-GF20 | BLACK/RAL 9011 | COVER. 90. 38POSN. |
| TE NO. | REV. | MATERIAL | COLOR | DESCRIPTION |

| | | | | | |
|--|--|--|-----------------|--|-----------------------------|
| THIS DRAWING IS A CONTROLLED DOCUMENT. | | DWN I.Dong 17APR2014 | TE Connectivity | | |
| | | CHK E.Thiel 23APR2014 | | | |
| DIMENSIONS: mm | | TOLERANCES UNLESS OTHERWISE SPECIFIED: 1 PLC ± ACC. TO 2 PLC ± DIN 16901-140 3 PLC ± CENTRIC TO ± NOMINAL DIM ANGLES ± 1° FINISH | | NAME COVER. 90. 38 POSN KAPPE. 90. 38 POLIG | |
| MATERIAL SEE TABLE | | PRODUCT SPEC - APPLICATION SPEC - WEIGHT - | | SIZE A2 CAGE CODE 00779 DRAWING NO G= 2112500 RESTRICTED TO - | |
| | | CUSTOMER DRAWING | | SCALE 2:1 | SHEET 1 OF 1 REV B |