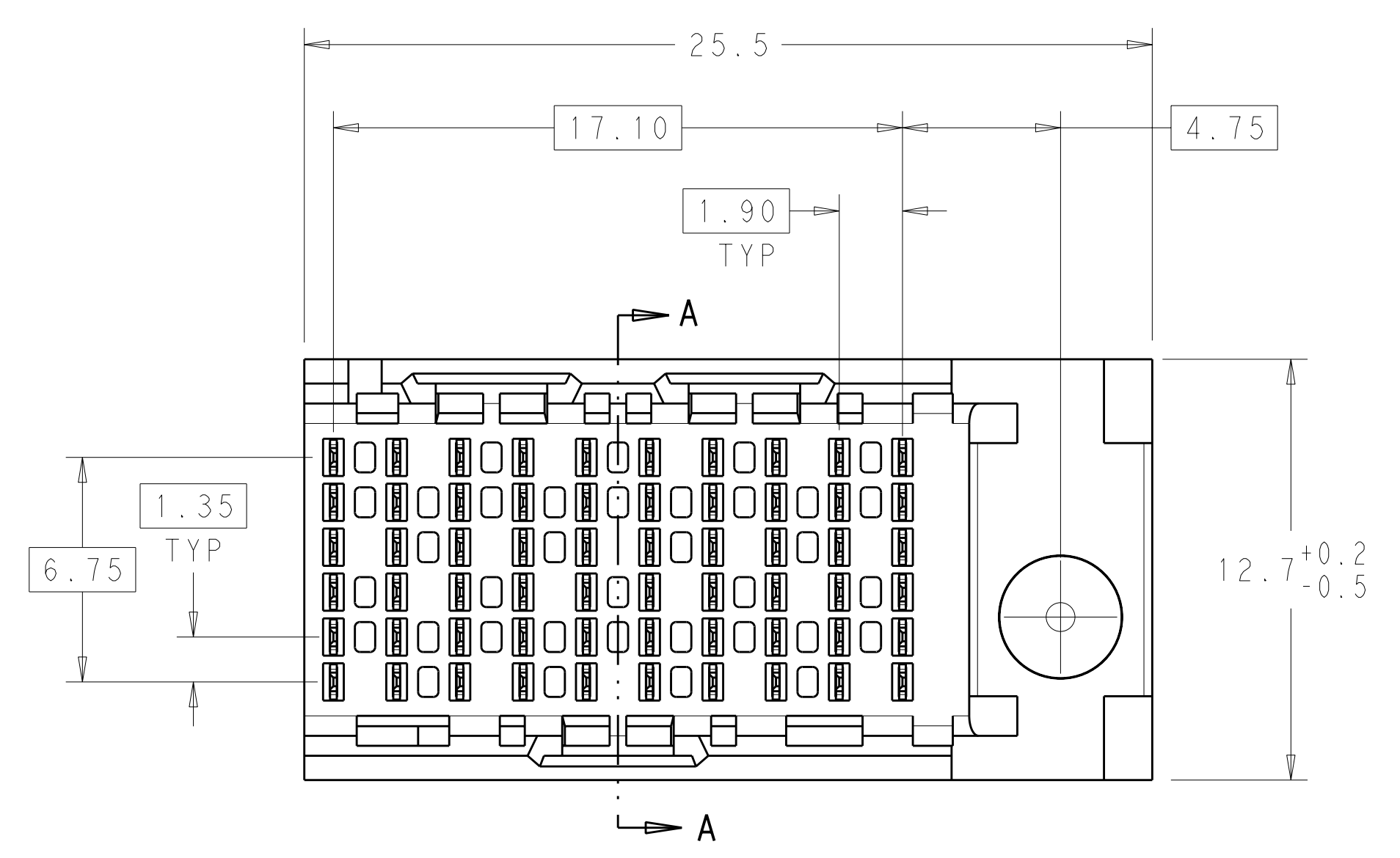
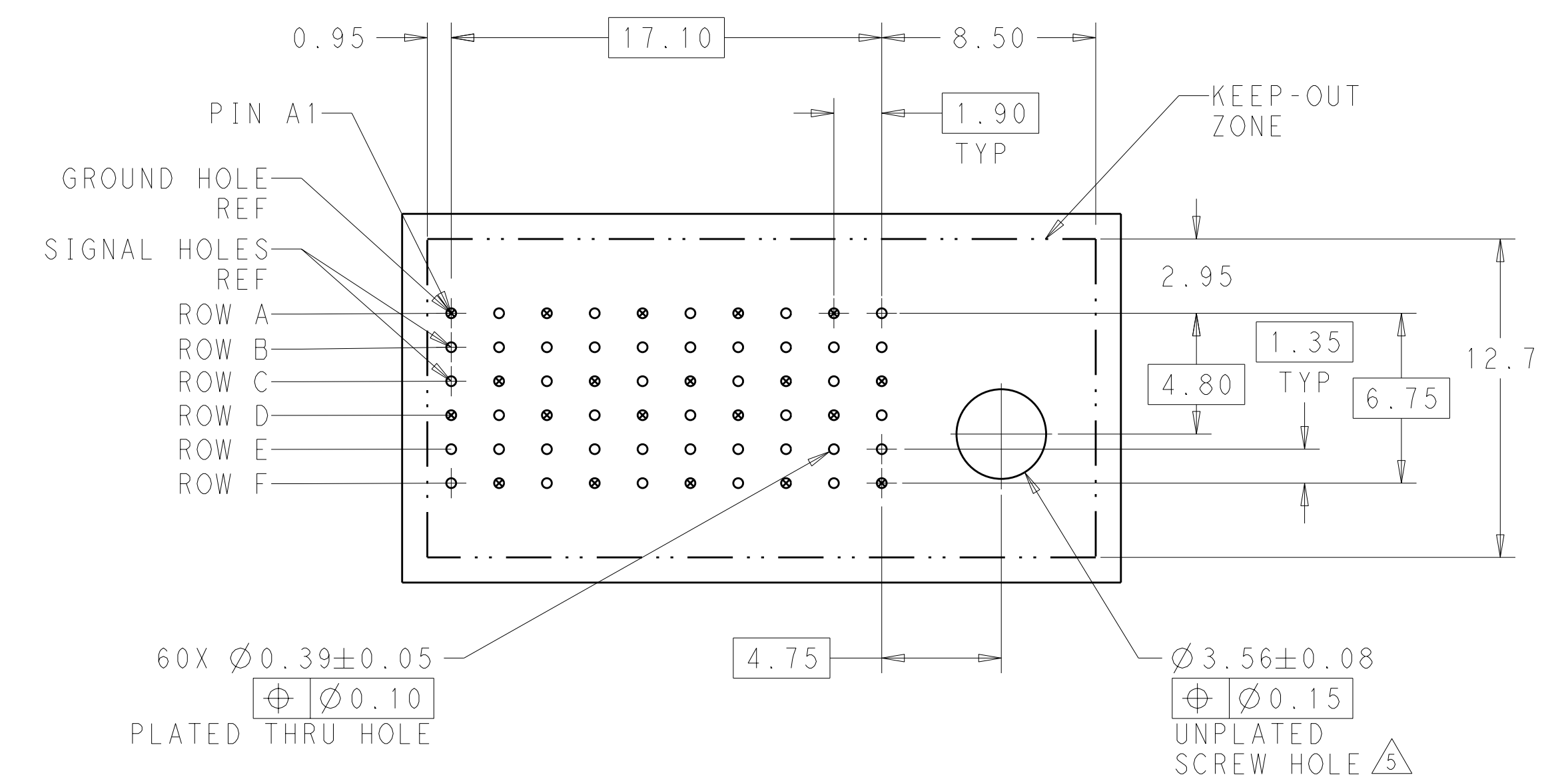
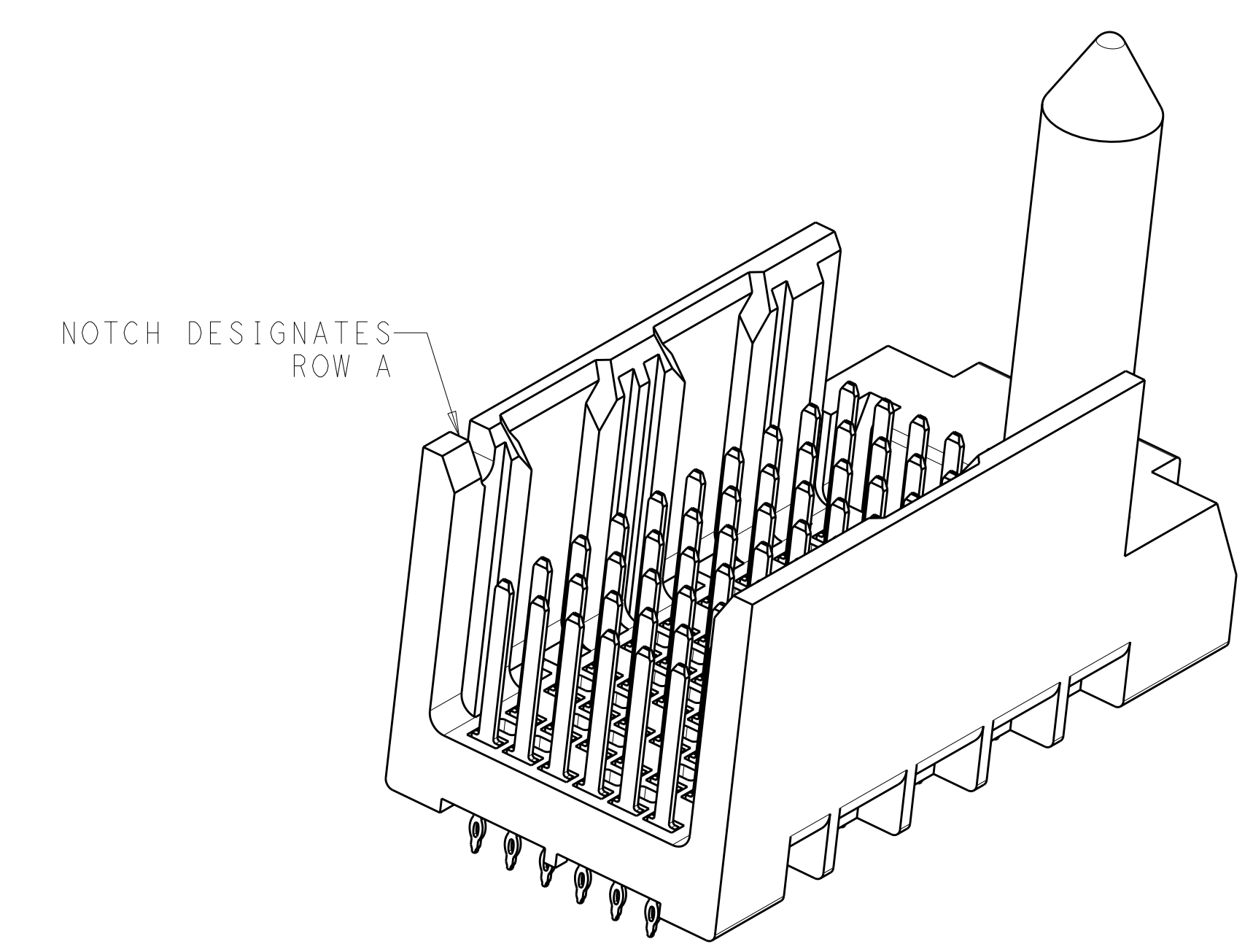


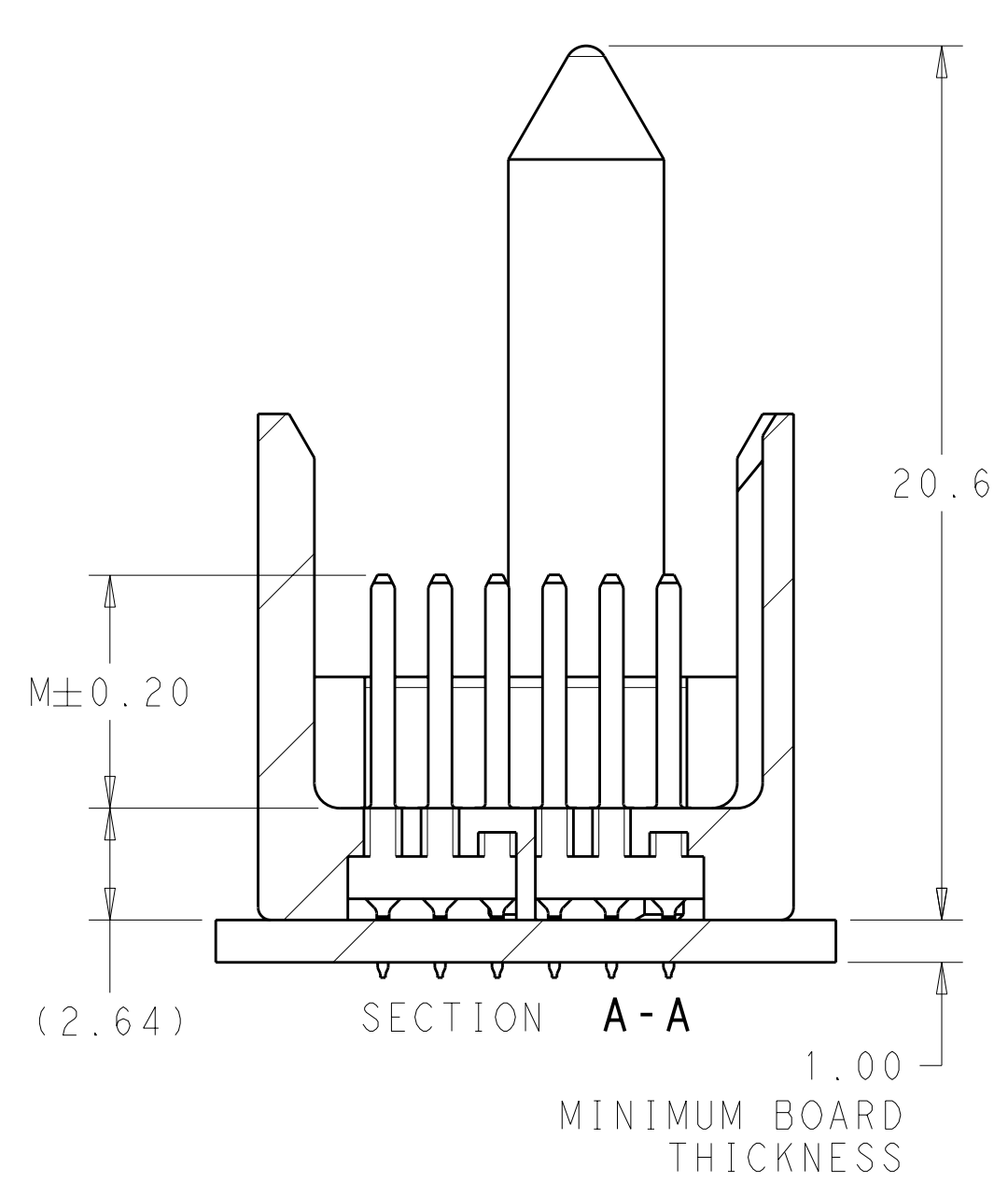
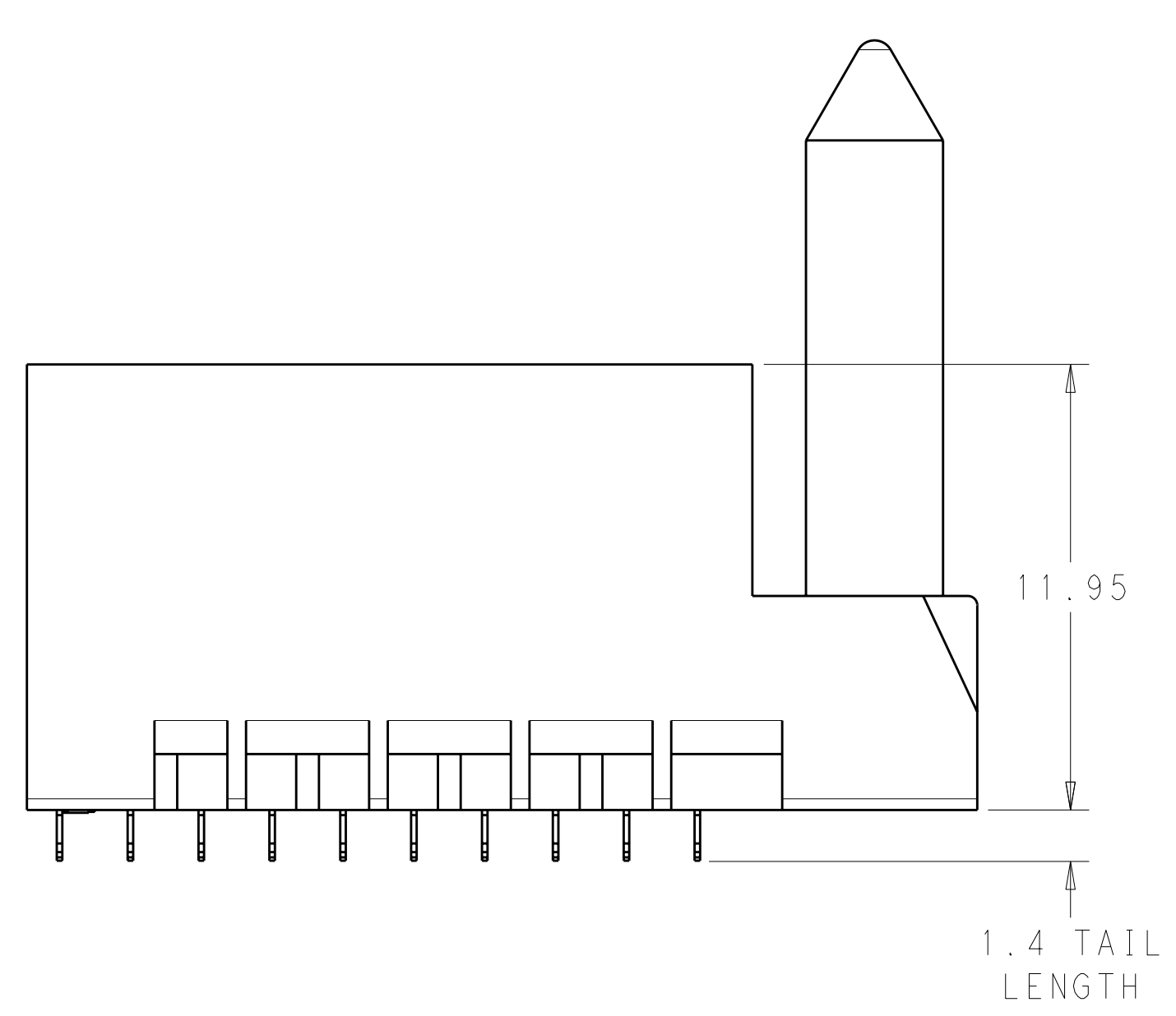
| LOC | DIST | REV | DATE | BY | CHK | APPV |
|-----|------|-----|-----------|----|-----|------|
| AD | 00 | 1 | 11AUG2011 | RG | JE | |



- 1 MATERIAL:
HOUSING: LCP, GLASS FILLED, UL94V-0.
TERMINALS: HIGH PERFORMANCE COPPER ALLOY.
- 2 FINISH:
30μ" MIN GOLD IN CONTACT AREA. SELECTIVE TIN
ON PCB TAILS, NICKEL OVERALL.
- 3 FINISH:
30μ" MIN GOLD IN CONTACT AREA. SELECTIVE TIN-LEAD
ON PCB TAILS, NICKEL OVERALL.
- 4. SCREWS PACKAGED IN END OF PACKAGING TUBE.
- 5 FOR GROUNDED GUIDE PIN USE $\varnothing 3.56 \pm 0.08$ PTH,
 $\varnothing 3.66$ DRILL, AND $\varnothing 6.5$ PAD.



RIGHT GUIDED
 BACKPLANE HOLE PATTERN
 (CONNECTOR SIDE)



THIS PRINT IS
PRELIMINARY
 UNQUALIFIED PRODUCT
 CONTACT PRODUCT ENGINEERING
 BEFORE USING THIS PRINT

| | | | | | | | |
|-----------------------|--|---|--|--|--|---|--|
| DIMENSIONS: mm | | TOLERANCES UNLESS OTHERWISE SPECIFIED: 9 PLC ± 1 PLC ±0.25 3 PLC ±0.13 4 PLC ± ANGLES ± FINISH SEE TABLE | | DWN R. GRZYBOWSKI 11AUG2011 CHK J. EBY 11AUG2011 APPV J. EBY 11AUG2011 | | Tyco Electronics Corporation Harrisburg, PA 17105-3608 | |
| MATERIAL | | WEIGHT - | | NAME IMPACT, 2 PAIR, 10 COLUMN, HEADER RIGHT GUIDED, OPEN END WALL SELECT LOAD, SIGNAL MODULE, 0.39 PTH | | SIZE CAGE CODE DRAWING NO. RESTRICTED TO A1100779C=2110636 | |
| CUSTOMER DRAWING | | | | SCALE 6:1 | | SHEET 1 OF 2 REV 1 | |

THIS DRAWING IS UNPUBLISHED. RELEASED FOR PUBLICATION 20
 © COPYRIGHT 20 BY TYCO ELECTRONICS CORPORATION. ALL INTERNATIONAL RIGHTS RESERVED.

| LOC | DIST | REVISIONS | | | | | |
|-----|------|-----------|-----|-------------|------|-----|------|
| AD | 00 | P | LTG | DESCRIPTION | DATE | DWN | APVD |
| | | - | - | SEE SHEET 1 | - | - | - |
| | | | | | | | |
| | | | | | | | |

| | | | | | | | | | | |
|-------------------|---|--------|---|---|---|---|---|---|---|----|
| 2110636-1 | | | | | | | | | | |
| PART NUMBER | | FINISH | | | | | | | | |
| CONTACT LAYOUT | | | | | | | | | | |
| A = 4.5mm (DIM M) | | | | | | | | | | |
| B = 4.9mm (DIM M) | | | | | | | | | | |
| C = 5.5mm (DIM M) | | | | | | | | | | |
| COLUMNS | | | | | | | | | | |
| | 1 | 2 | 3 | 4 | 5 | 6 | 7 | 8 | 9 | 10 |
| A | C | C | C | C | C | C | C | C | C | C |
| B | B | C | C | C | C | C | C | C | C | C |
| C | C | C | C | C | C | C | C | C | C | C |
| D | C | C | C | C | C | C | C | C | C | C |
| E | C | C | C | C | C | C | C | C | C | C |
| F | C | C | C | C | C | C | C | C | C | C |

REFER TO WWW.TE.COM
 FOR PRODUCT AVAILABILITY

THIS PRINT IS
PRELIMINARY
 UNQUALIFIED PRODUCT
 CONTACT PRODUCT ENGINEERING
 BEFORE USING THIS PRINT

| | | | |
|---|--|-----------------------------------|--|
| <small>THIS DRAWING IS UNPUBLISHED. RELEASED FOR PUBLICATION 20 © COPYRIGHT 20 BY TYCO ELECTRONICS CORPORATION. ALL INTERNATIONAL RIGHTS RESERVED.</small> | | DWN R. GRZYBOWSKI 11AUG2011 | Tyco Electronics Corporation Harrisburg, PA 17105-3608 |
| DIMENSIONS: mm | | CHK J. EARY 11AUG2011 | NAME IMPACT, 2 PAIR, 10 COLUMN, HEADER RIGHT GUIDED, OPEN END WALL SELECT LOAD, SIGNAL MODULE, 0.39 PTH |
| TOLERANCES UNLESS OTHERWISE SPECIFIED: 0 PLC ± 1 PLC ±0.25 2 PLC ±0.13 3 PLC ± 4 PLC ± ANGLES ± FINISH SEE TABLE | | APVD J. EARY 11AUG2011 | PRODUCT SPEC APPLICATION SPEC WEIGHT CUSTOMER DRAWING |
| MATERIAL | | SIZE A100779 | DRAWING NO C=2110636 |
| SCALE 5:1 | | SHEET 2 OF 2 | REV 1 |