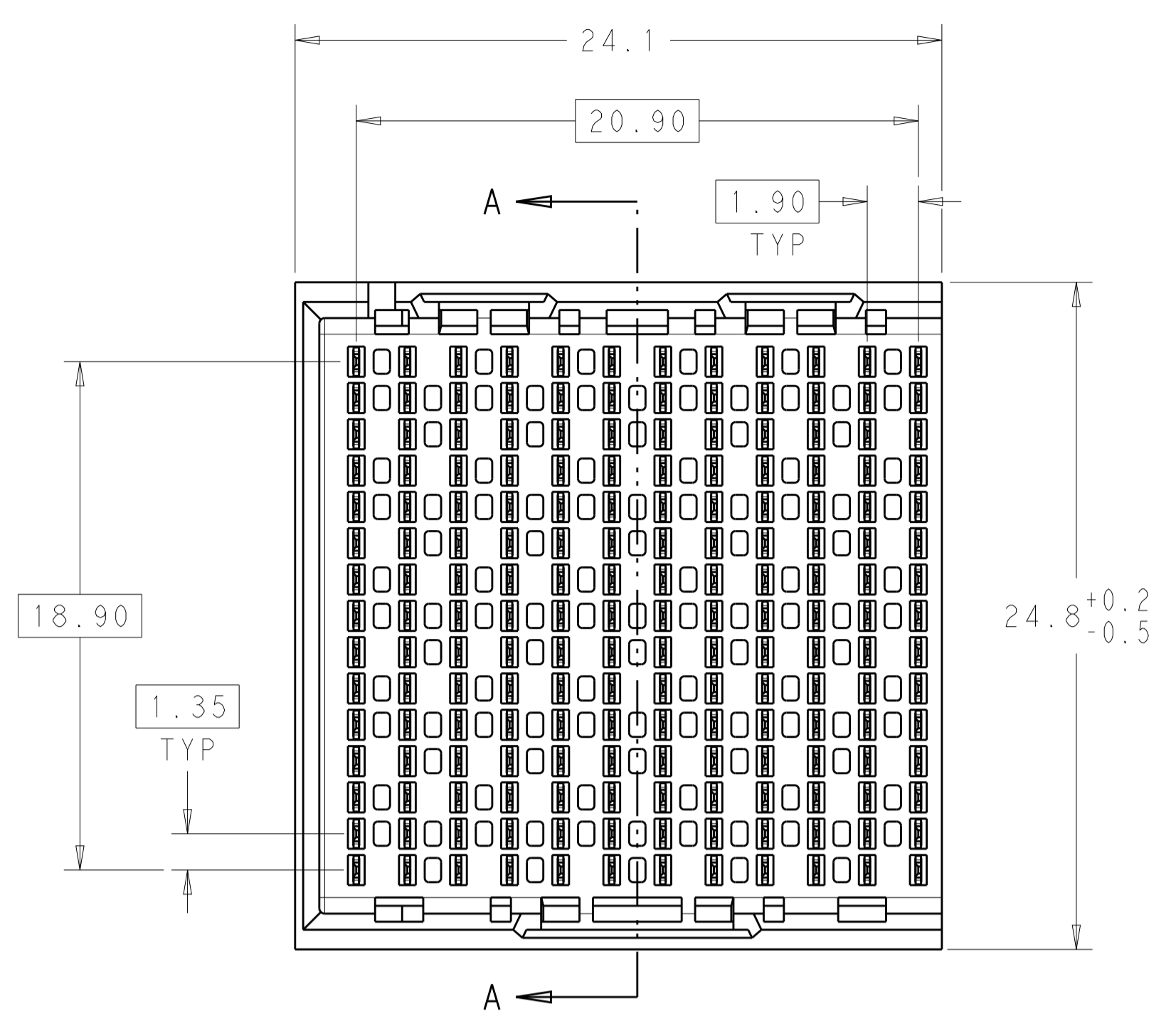
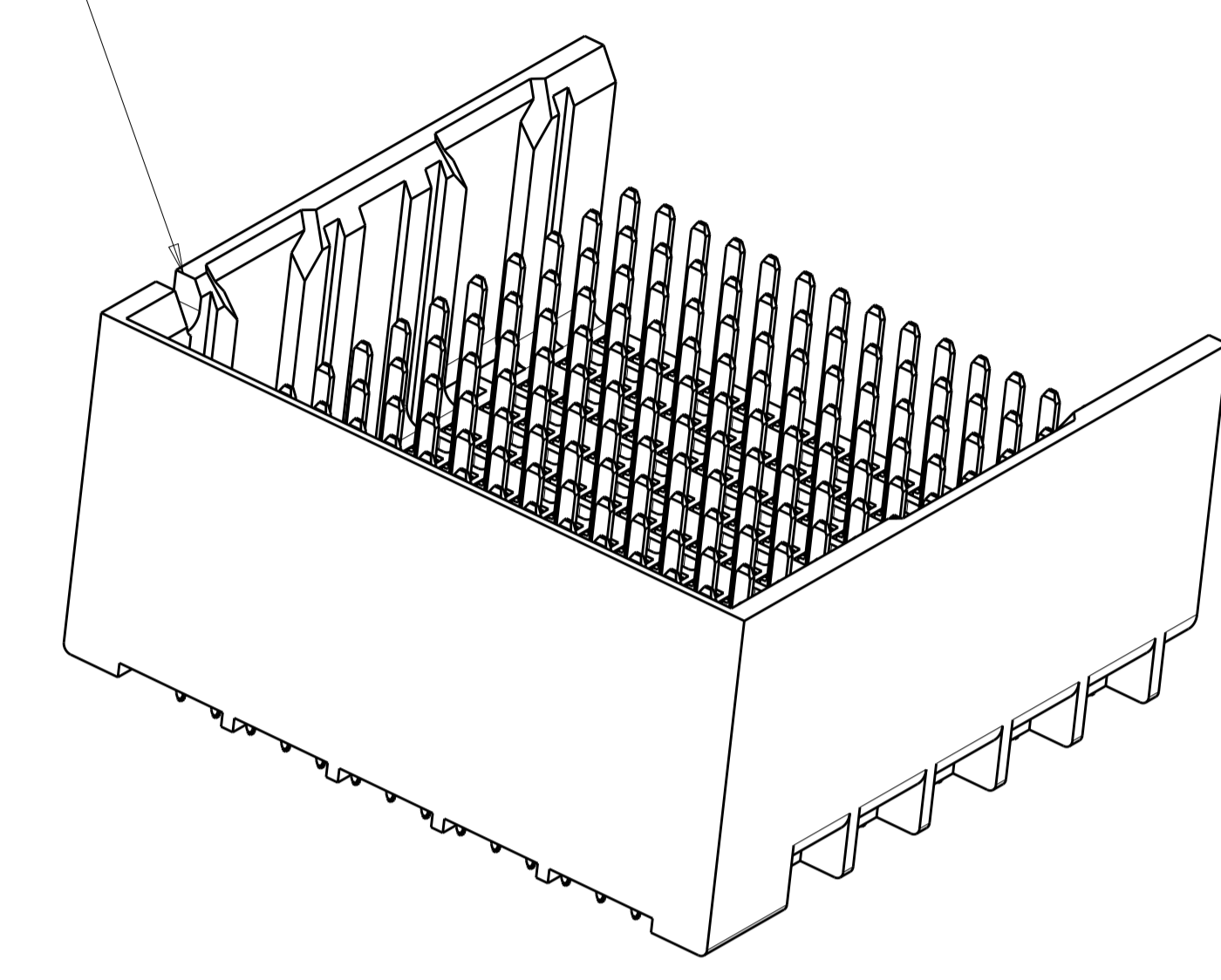


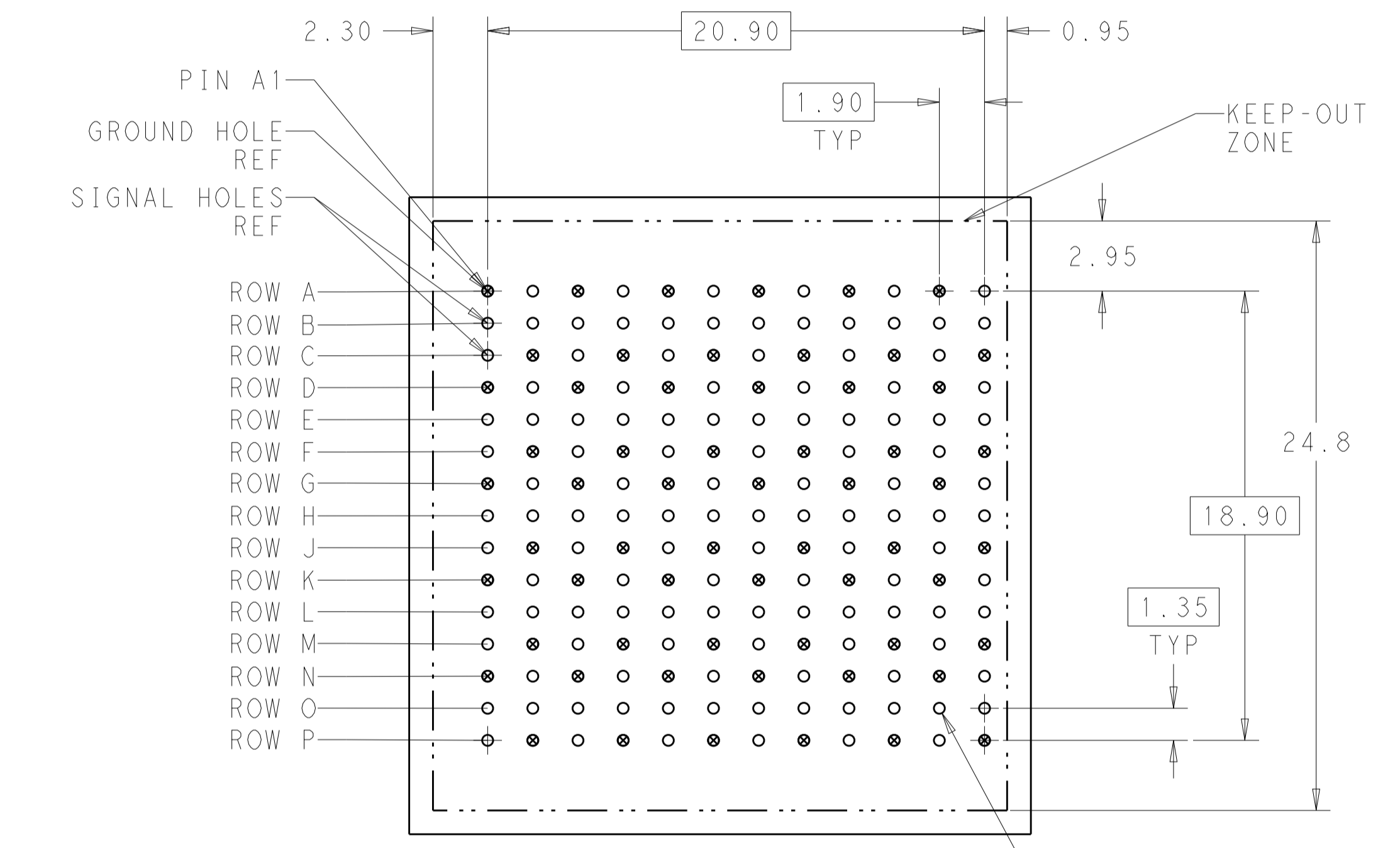
LOC	DIST	REVISIONS			
P	LTN	DESCRIPTION	DATE	DWN	APVD
A		CREATED BY AUTOMATION PROGRAM	09MAY2011	RKC	JE



NOTCH DESIGNATES ROW A

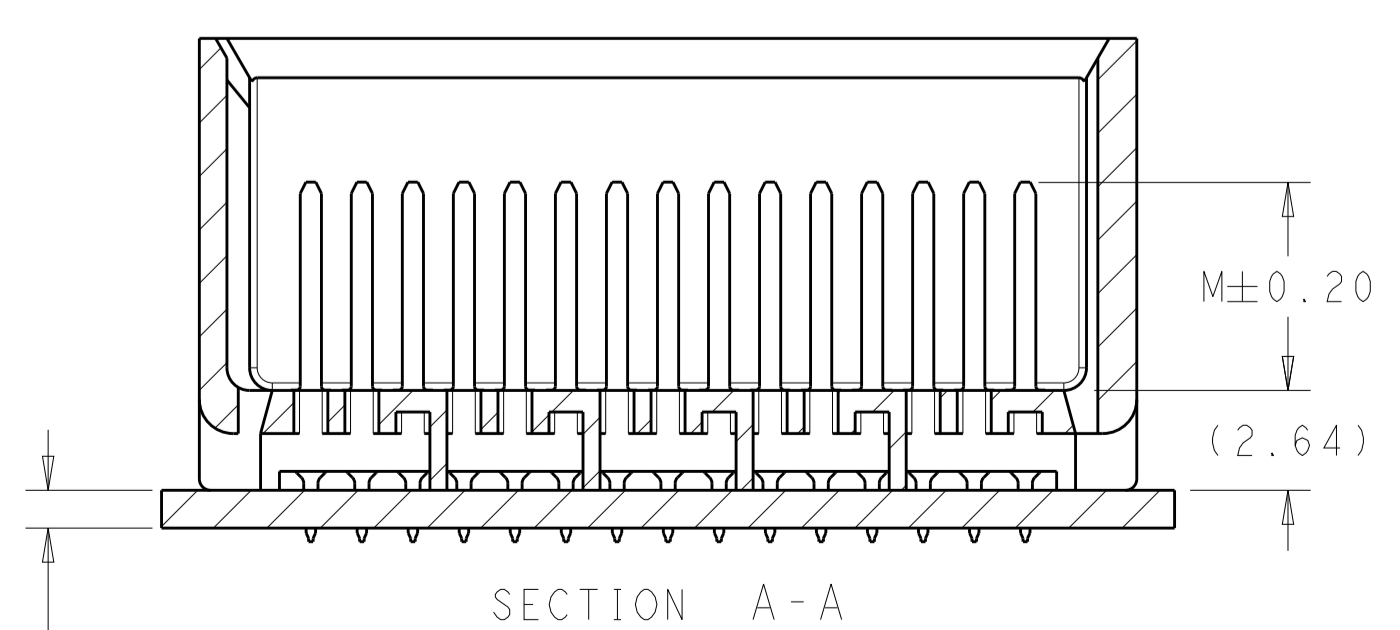
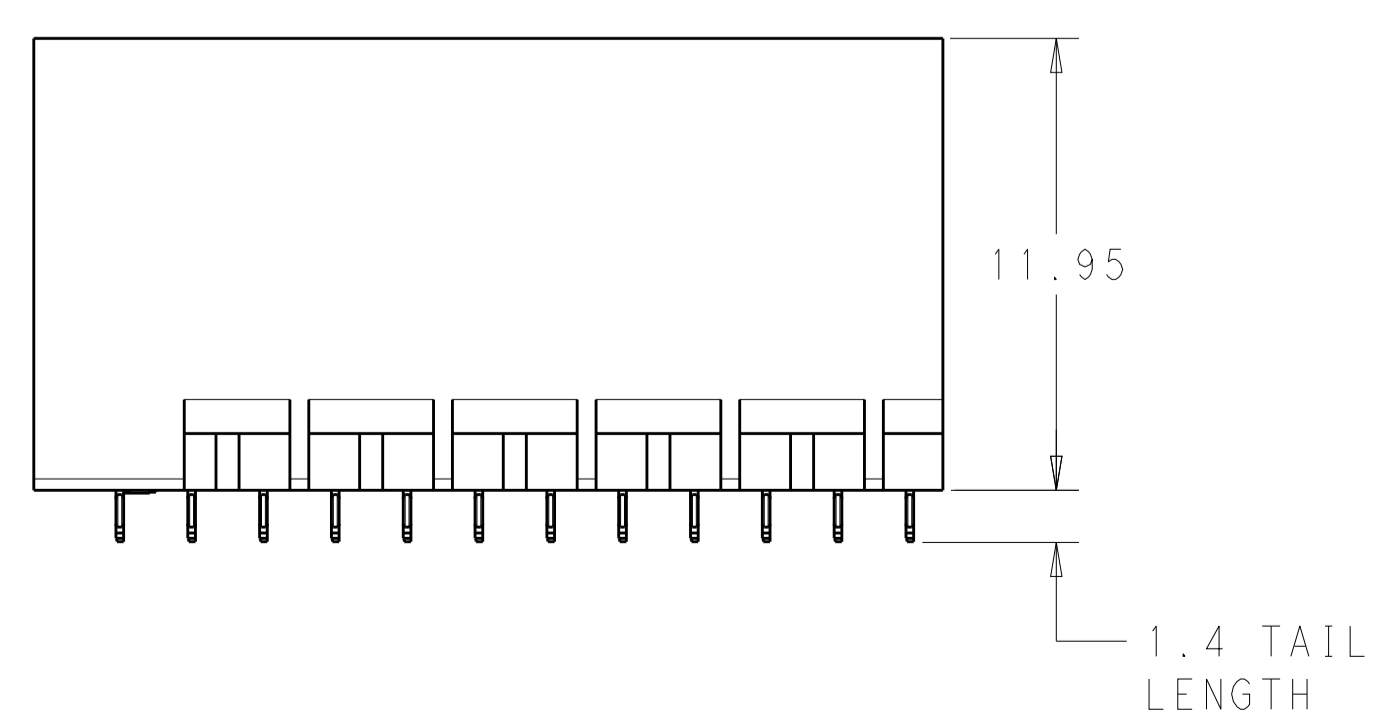


- ⚠ MATERIAL:
HOUSING: LCP, GLASS FILLED, UL94V-0.
TERMINALS: HIGH PERFORMANCE COPPER ALLOY.
- ⚠ FINISH:
30μ" MIN GOLD IN CONTACT AREA. SELECTIVE TIN ON PCB TAILS, NICKEL OVERALL.
- ⚠ FINISH:
30μ" MIN GOLD IN CONTACT AREA. SELECTIVE TIN-LEAD ON PCB TAILS, NICKEL OVERALL.



180X Ø0.46±0.05 PLATED THRU HOLE
180X Ø0.55±0.013 DRILL HOLE
⊕ Ø0.10

UNGUIDED BACKPLANE HOLE PATTERN (CONNECTOR SIDE)



1.00 MINIMUM BOARD THICKNESS

THIS DRAWING IS A CONTROLLED DOCUMENT.		DWN: R. COELLO 09MAY2011	TE Connectivity
DIMENSIONS: mm		CHK: J. EARY 09MAY2011	
TOLERANCES UNLESS OTHERWISE SPECIFIED:		APVD: J. EARY 09MAY2011	NAME: IMPACT, 5 PAIR, 12 COLUMN, HEADER UNGUIDED, LEFT END WALL SIGNAL MODULE, 0.46 PTH
0 PLC ±		PRODUCT SPEC	
1 PLC ±0.25		APPLICATION SPEC	SIZE: CAGE CODE DRAWING NO: A100779C=2110188 WEIGHT: - CUSTOMER DRAWING
2 PLC ±0.13		RESTRICTED TO	
3 PLC ±		SCALE: 5:1	SHEET 1 OF 2 REV A
4 PLC ±			
ANGLES ±			
FINISH: SEE TABLE			

THIS DRAWING IS UNPUBLISHED. RELEASED FOR PUBLICATION 20
 © COPYRIGHT 20 BY - ALL RIGHTS RESERVED.

LOC	DIST	REVISIONS					
		P	LTN	DESCRIPTION	DATE	DWN	APVD
AD	00	-	-	SEE SHEET 1	-	-	-

FINISH	DIM M	PART NUMBER
	5.5	2110188-6
	4.9	2110188-5
	4.5	2110188-4
	5.5	2110188-3
	4.9	2110188-2
	4.5	2110188-1

REFER TO WWW.TE.COM
FOR PRODUCT AVAILABILITY

THIS DRAWING IS A CONTROLLED DOCUMENT.		DWN R. COELLO 09MAY2011	
		CHK J. EARY 09MAY2011	
DIMENSIONS: mm		APVD J. EARY 09MAY2011	NAME IMPACT, 5 PAIR, 12 COLUMN, HEADER UNGUIDED, LEFT END WALL SIGNAL MODULE, 0.46 PTH
TOLERANCES UNLESS OTHERWISE SPECIFIED: 0 PLC ± 1 PLC ±0.25 2 PLC ±0.13 3 PLC ± 4 PLC ± ANGLES ±		PRODUCT SPEC -	SIZE A100779
MATERIAL -		APPLICATION SPEC -	DRAWING NO C=2110188
FINISH SEE TABLE		WEIGHT -	RESTRICTED TO -
CUSTOMER DRAWING		SCALE 5:1	SHEET 2 OF 2
		REV A	