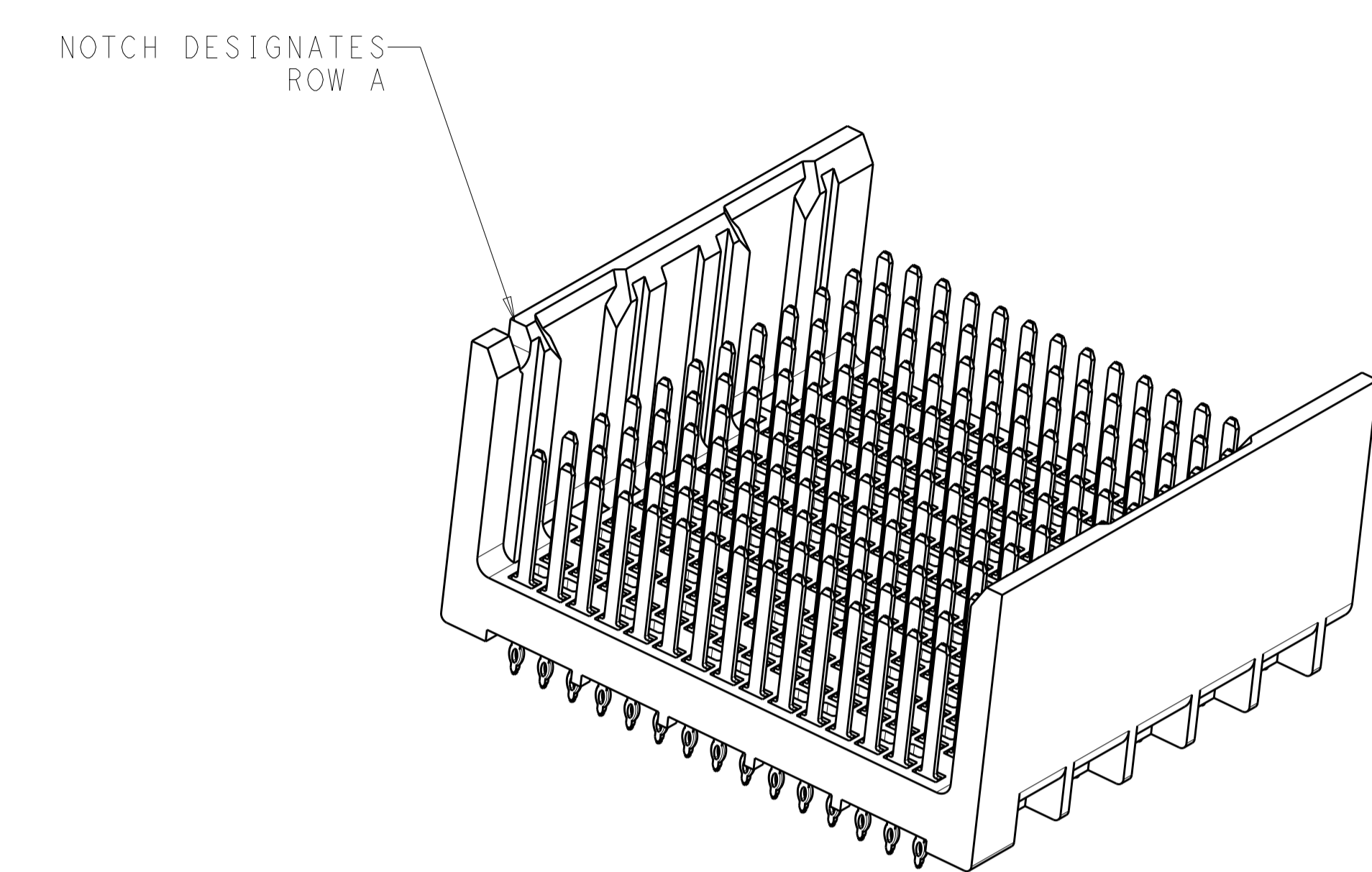
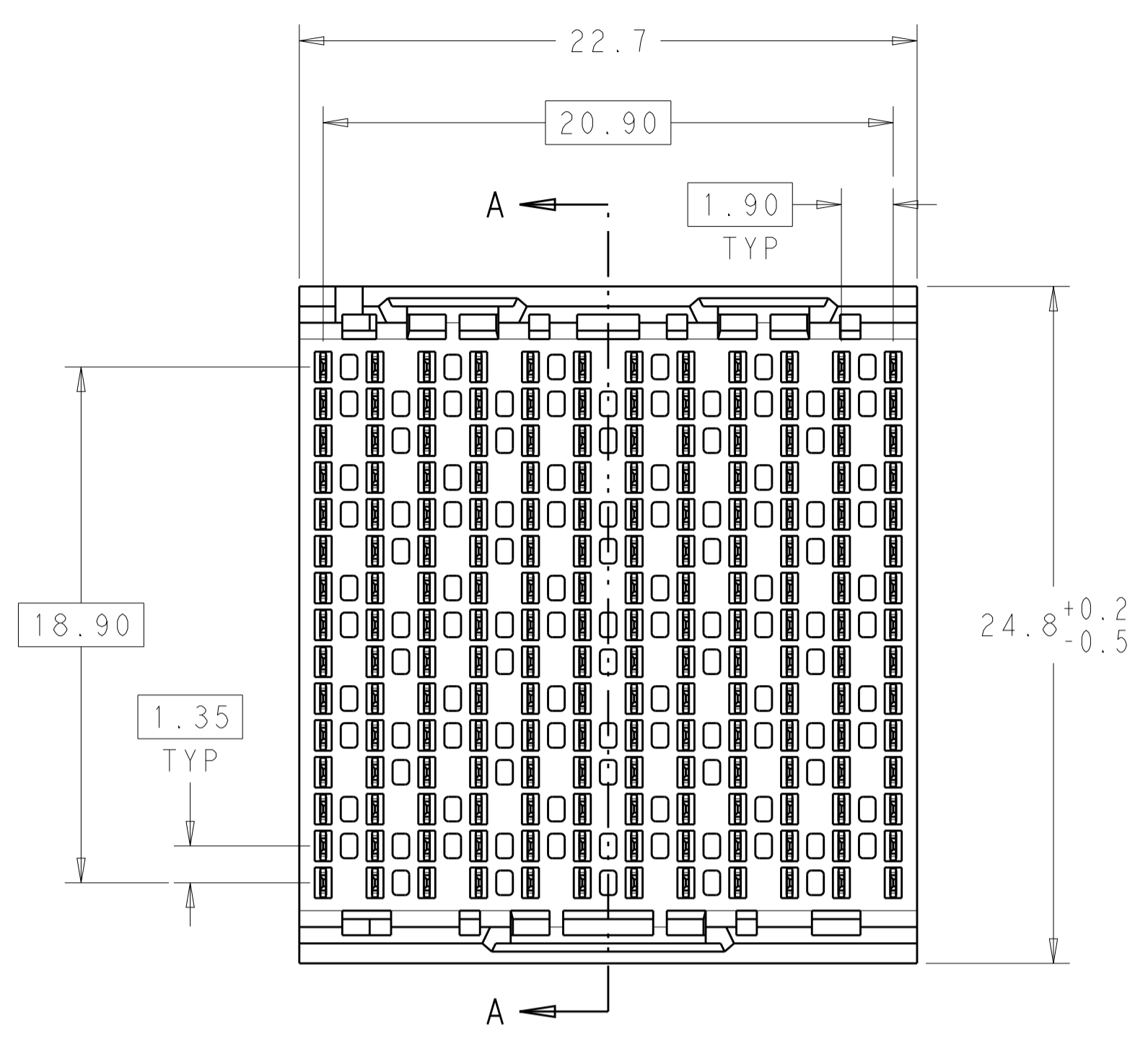
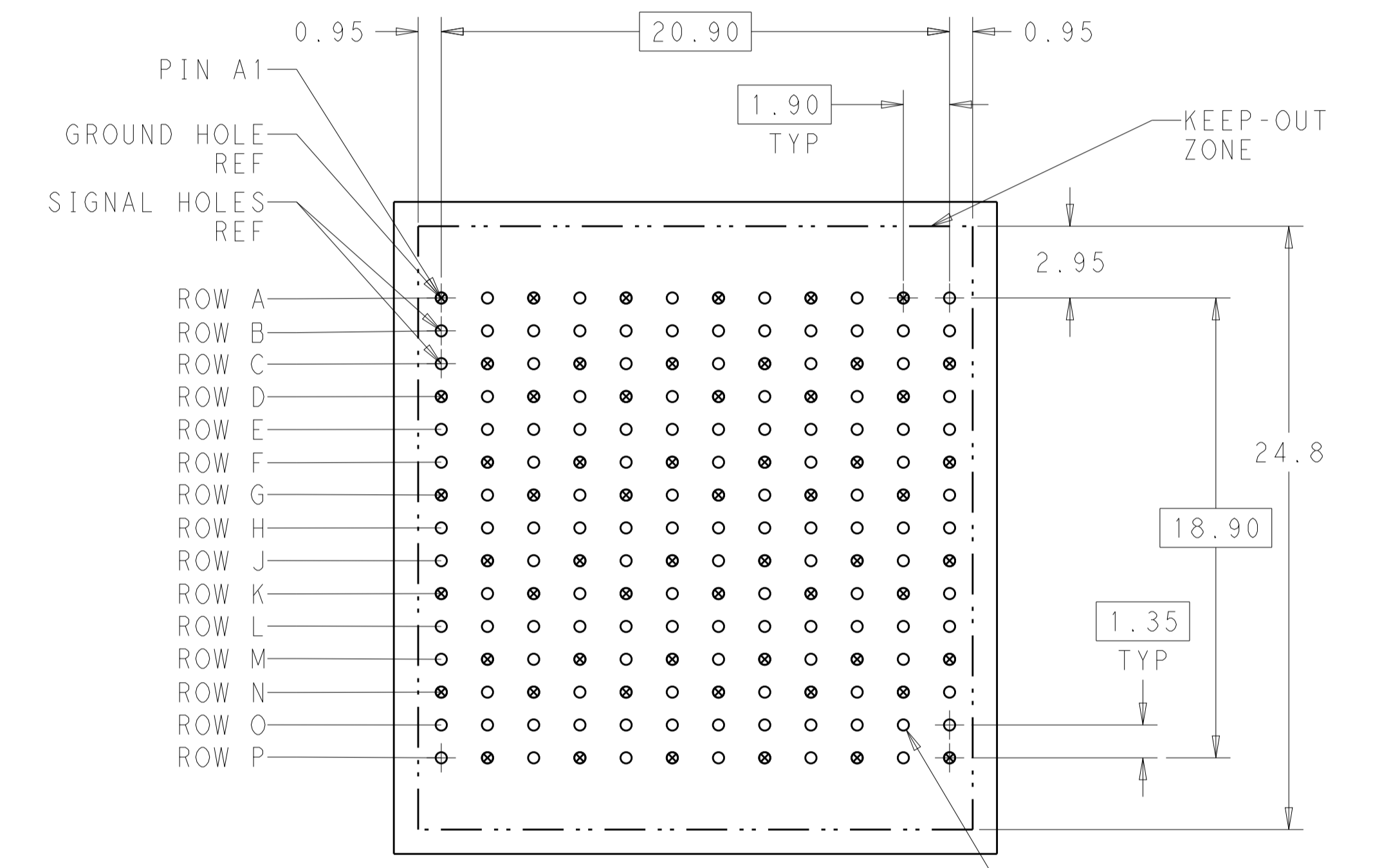


LOC		DIST		REVISIONS			
AD	00	P	LTN	DESCRIPTION	DATE	DWN	APVD
		A		CREATED BY AUTOMATION PROGRAM	09MAY2011	RKC	JE

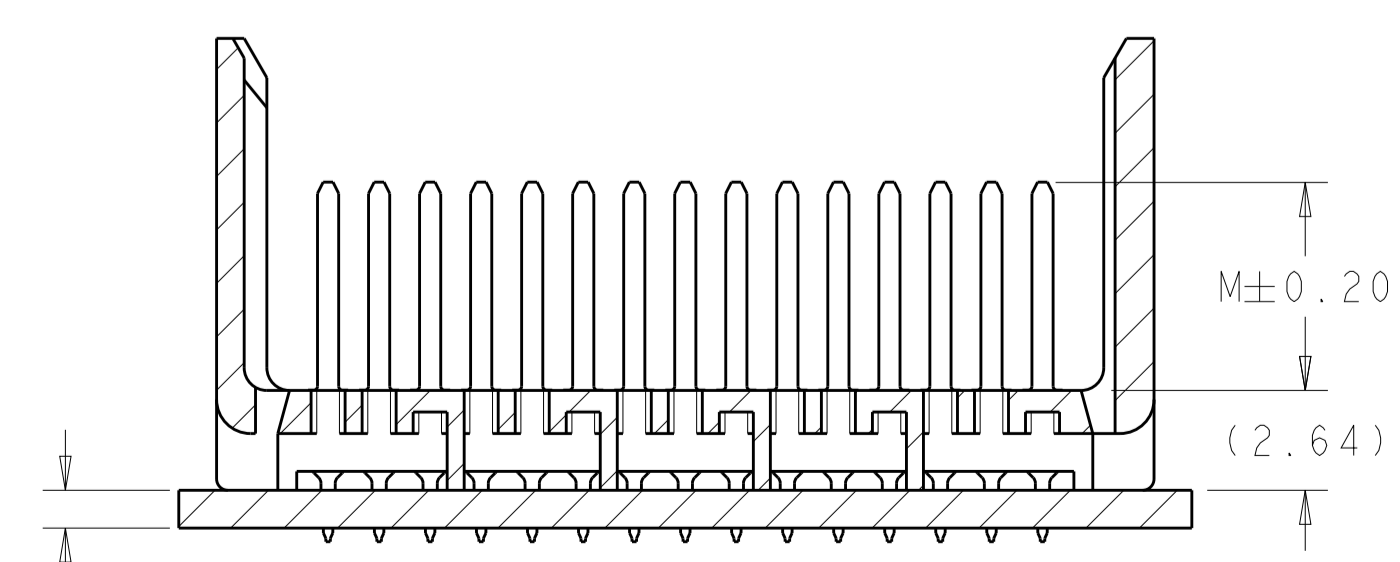
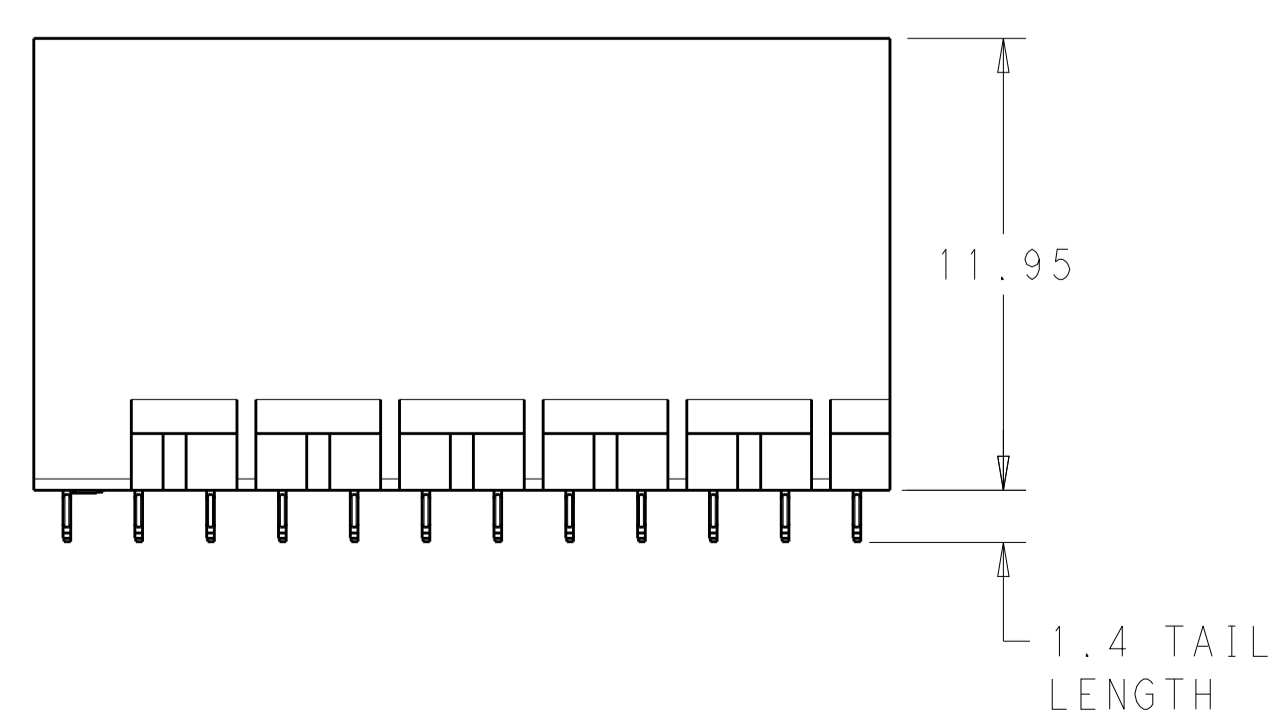


- ⚠ MATERIAL:
HOUSING: LCP, GLASS FILLED, UL94V-0.
TERMINALS: HIGH PERFORMANCE COPPER ALLOY.
- ⚠ FINISH:
30μ" MIN GOLD IN CONTACT AREA. SELECTIVE TIN
ON PCB TAILS, NICKEL OVERALL.
- ⚠ FINISH:
30μ" MIN GOLD IN CONTACT AREA. SELECTIVE TIN-LEAD
ON PCB TAILS, NICKEL OVERALL.



180X Ø0.46±0.05
PLATED THRU HOLE
180X Ø0.55±0.013
DRILL HOLE
⊕ Ø0.10

UNGUIDED
BACKPLANE HOLE PATTERN
(CONNECTOR SIDE)



1.00
MINIMUM BOARD
THICKNESS

SECTION A-A

THIS DRAWING IS A CONTROLLED DOCUMENT.		DWN R. COELLO 09MAY2011	TE Connectivity
DIMENSIONS: mm		CHK J. EARY 09MAY2011	
TOLERANCES UNLESS OTHERWISE SPECIFIED:		APVD J. EARY 09MAY2011	NAME IMPACT, 5 PAIR, 12 COLUMN, HEADER UNGUIDED, OPEN END WALL SIGNAL MODULE, 0.46 PTH
0 PLC ±		PRODUCT SPEC	
1 PLC ±0.25		APPLICATION SPEC	SIZE CAGE CODE DRAWING NO RESTRICTED TO
2 PLC ±0.13		WEIGHT	A100779C=2110187
3 PLC ±		CUSTOMER DRAWING	SCALE 5:1 SHEET 1 OF 2 REV A
4 PLC ±			
ANGLES ±			
FINISH SEE TABLE			

THIS DRAWING IS UNPUBLISHED. RELEASED FOR PUBLICATION 20
 © COPYRIGHT 20 BY - ALL RIGHTS RESERVED.

LOC	DIST	REVISIONS					
		P	LTN	DESCRIPTION	DATE	DWN	APVD
AD	00	-		SEE SHEET 1	-	-	-

FINISH	DIM M	PART NUMBER
△3	5.5	2110187-6
△3	4.9	2110187-5
△3	4.5	2110187-4
△2	5.5	2110187-3
△2	4.9	2110187-2
△2	4.5	2110187-1

REFER TO WWW.TE.COM
FOR PRODUCT AVAILABILITY

THIS DRAWING IS A CONTROLLED DOCUMENT.		DWN R. COELLO 09MAY2011	
		CHK J. EARY 09MAY2011	
DIMENSIONS:		APVD J. EARY 09MAY2011	NAME IMPACT, 5 PAIR, 12 COLUMN, HEADER UNGUIDED, OPEN END WALL SIGNAL MODULE, 0.46 PTH
TOLERANCES UNLESS OTHERWISE SPECIFIED:		PRODUCT SPEC	
mm	0 PLC ±0.25	APPLICATION SPEC	SIZE CAGE CODE DRAWING NO
	2 PLC ±0.13	RESTRICTED TO	A100779C=2110187
	3 PLC ±	WEIGHT	CUSTOMER DRAWING
	4 PLC ±	SCALE	5:1 SHEET 2 OF 2 REV A
	ANGLES FINISH SEE TABLE		