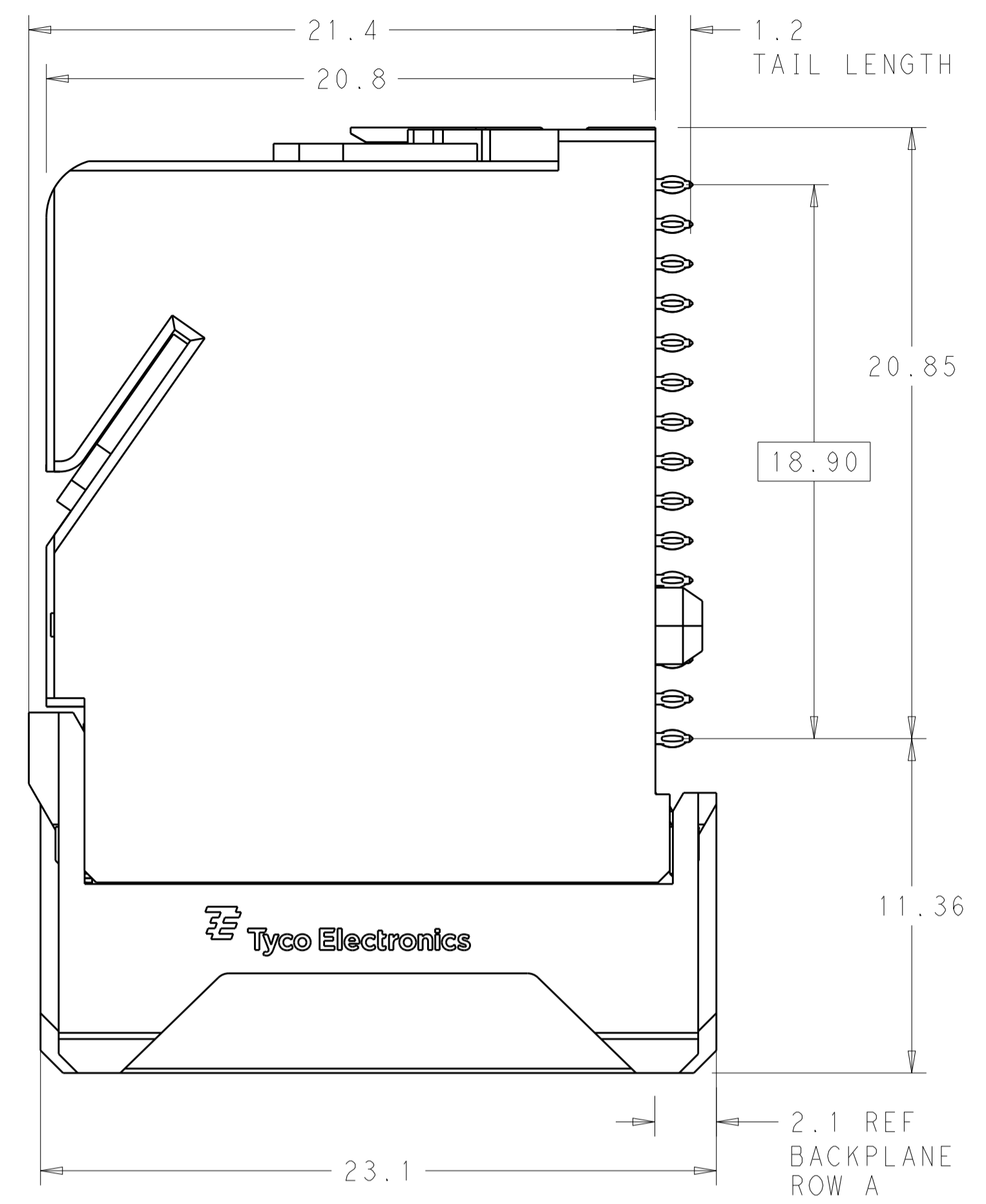
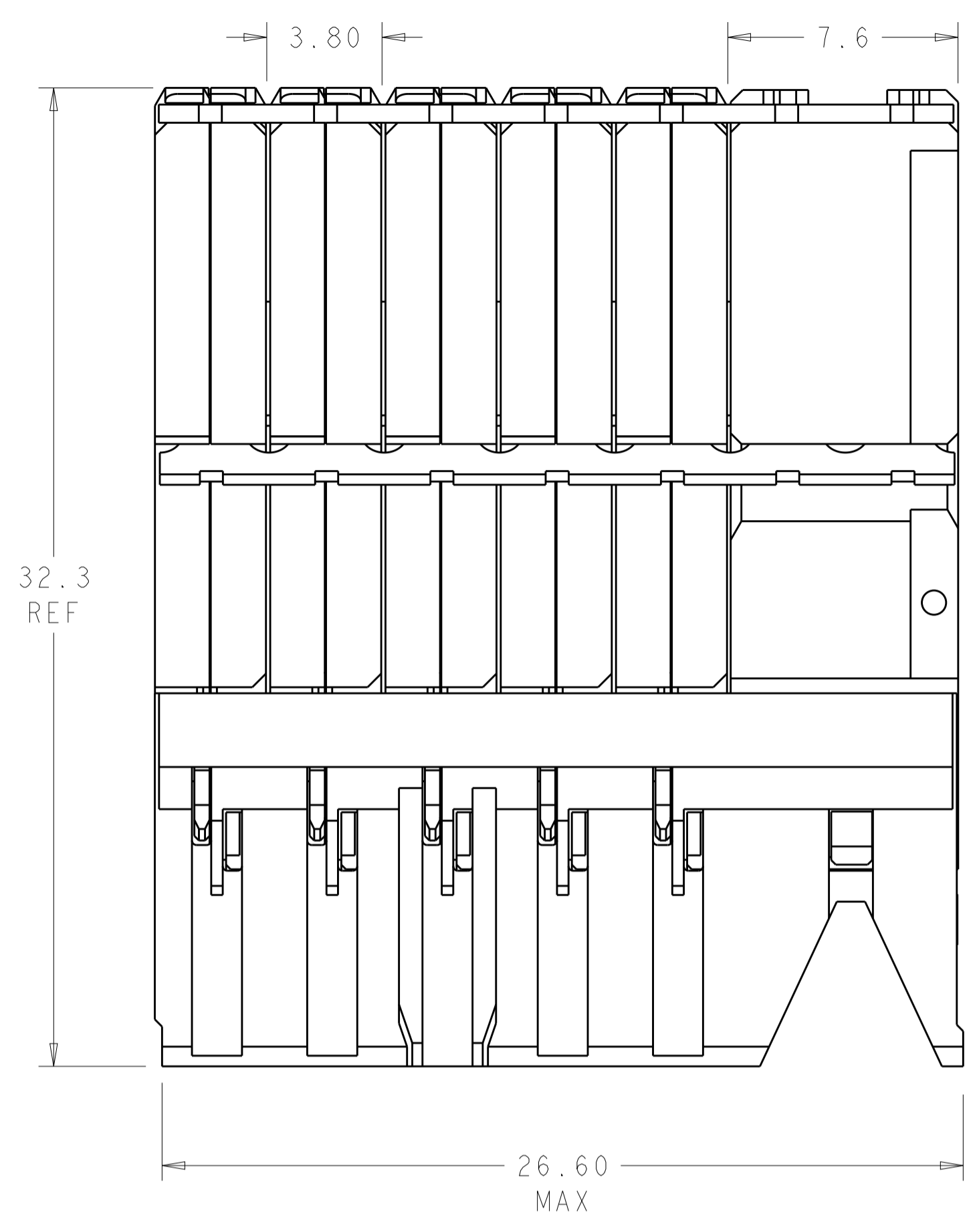
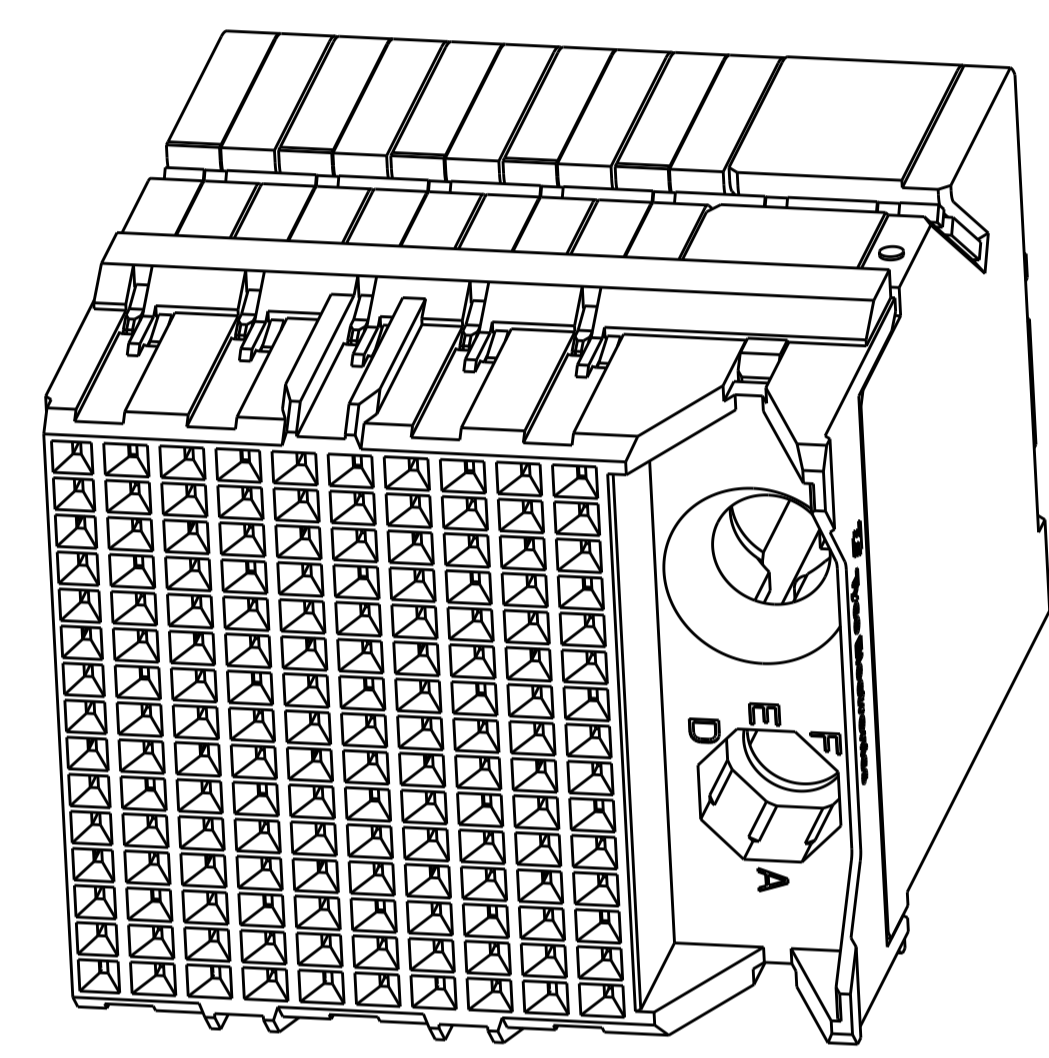


REVISIONS				
P.	LTN.	DESCRIPTION	DATE	APVD.
C2		REVISED PER ECO-15-004915	08APR2015	AP DD

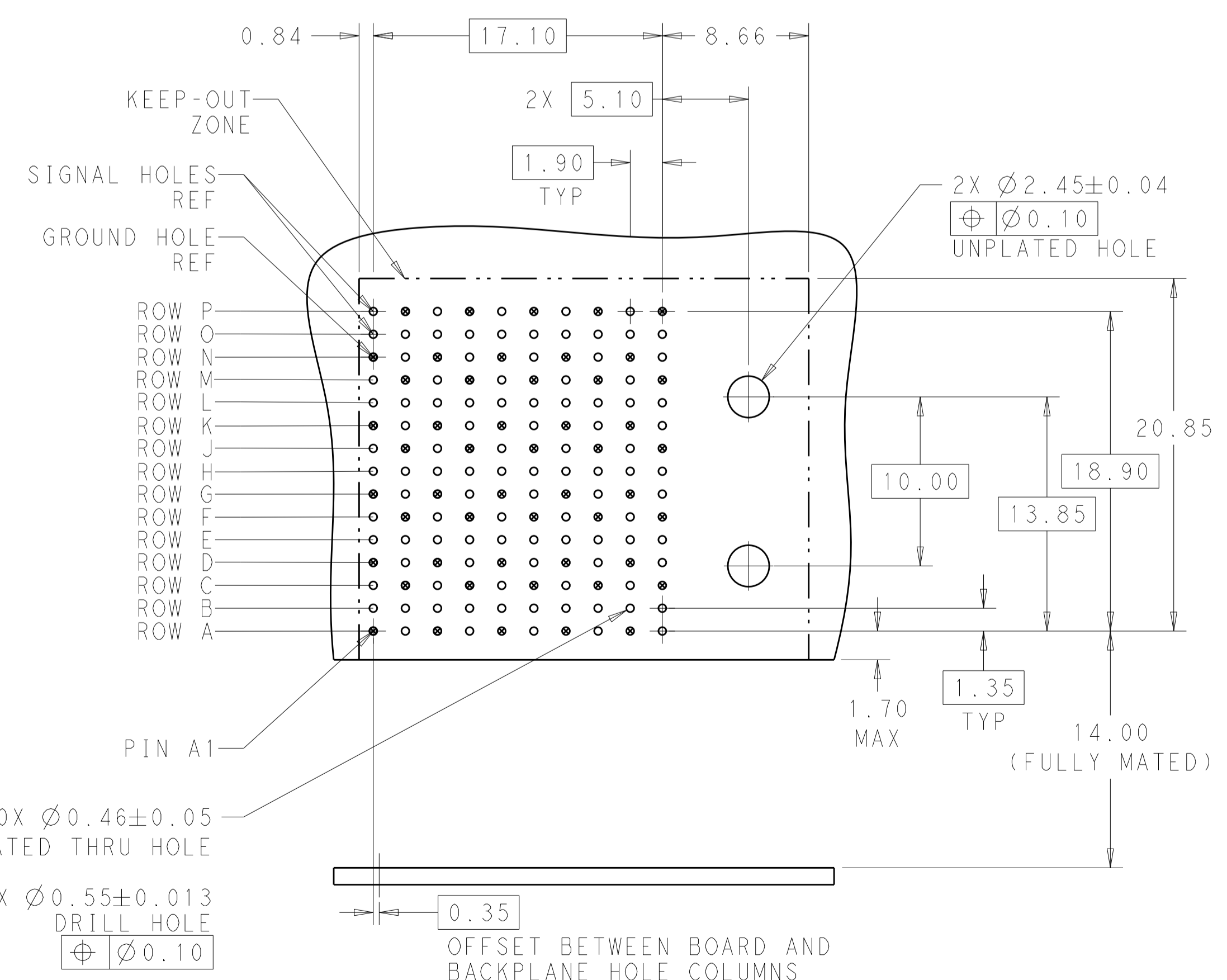
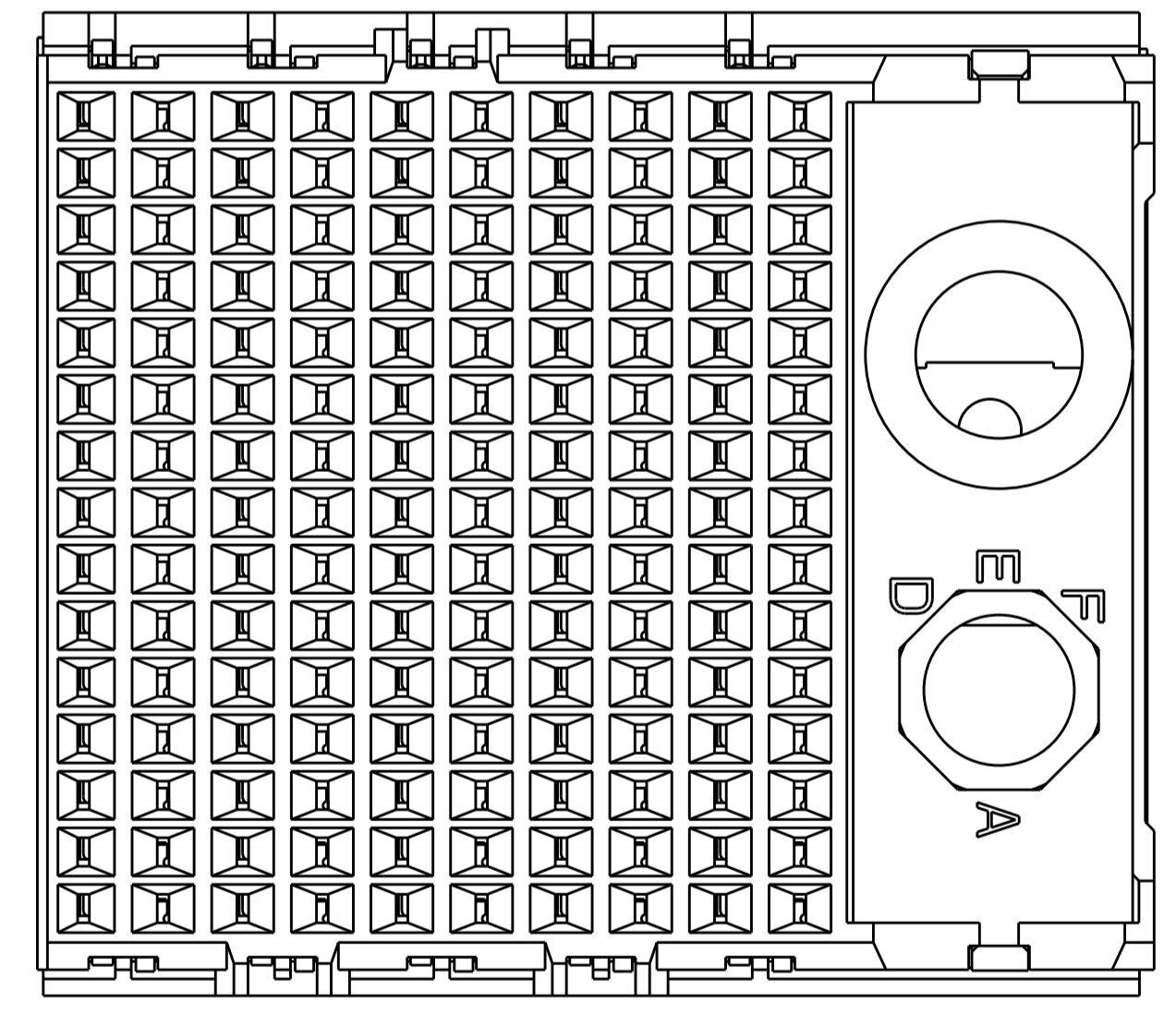


- ⚠ MATERIAL:  
HOUSING: LCP, GLASS FILLED, UL94V-0.  
TERMINALS: HIGH PERFORMANCE COPPER ALLOY.
- ⚠ FINISH:  
30μ" SELECTIVE GOLD IN CONTACT AREA. SELECTIVE TIN ON PCB TAILS, NICKEL OVERALL.
- 3. CONNECTORS SUPPLIED WITH MOUNTING SCREW.



SCALE 4:1

REFER TO WWW.TE.COM FOR PRODUCT AVAILABILITY



KEY POSITION CHART	
	NONE
	A
	B
	C
	D
	E
	F
	G
	H

150X Ø0.46±0.05 PLATED THRU HOLE  
150X Ø0.55±0.013 DRILL HOLE  
Ø0.10

RECOMMENDED PCB LAYOUT  
MIN BOARD THICKNESS 1.0

KEY POSITION	FINISH	PART NUMBER
H	⚠	8-2110102-1
G	⚠	7-2110102-1
F	⚠	6-2110102-1
E	⚠	5-2110102-1
D	⚠	4-2110102-1
C	⚠	3-2110102-1
B	⚠	2-2110102-1
A	⚠	1-2110102-1
NONE	⚠	2110102-1

THIS DRAWING IS A CONTROLLED DOCUMENT.

OWN: J. K. SHOBER 14FEB2011  
CHK: D. DIXON 14FEB2011  
APVD: D. DIXON 14FEB2011

TE Connectivity

NAME: IMPACT, 5 PAIR, DAUGHTERCARD 10 COLUMN, RIGHT GUIDED, SIGNAL MODULE, 0.46 EYELET

SIZE: A1 CAGE CODE: 2110102 DRAWING NO: 100779

RESTRICTED TO: Customer Drawing

SCALE: 6:1 SHEET: 1 OF 1 REV: C2