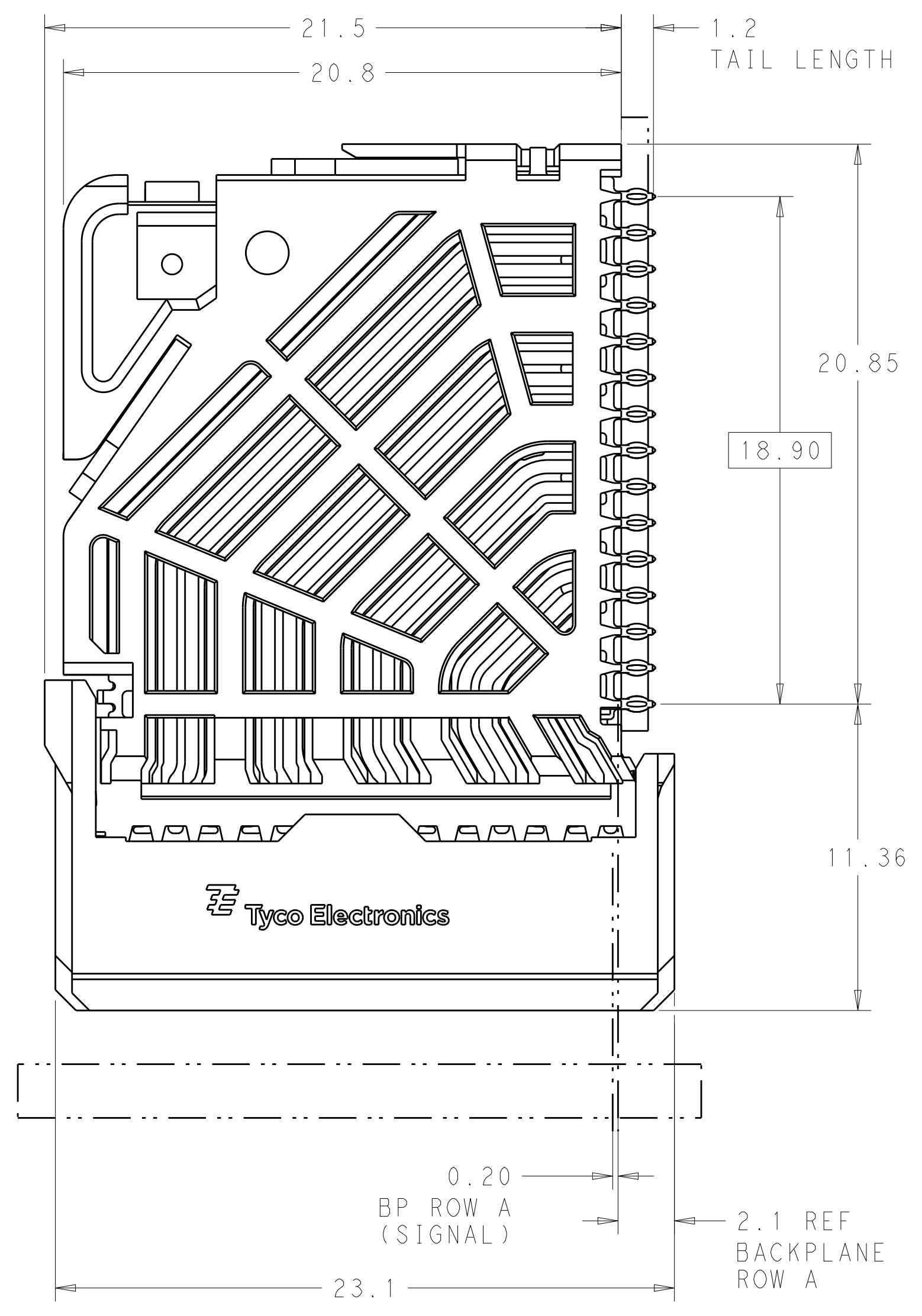
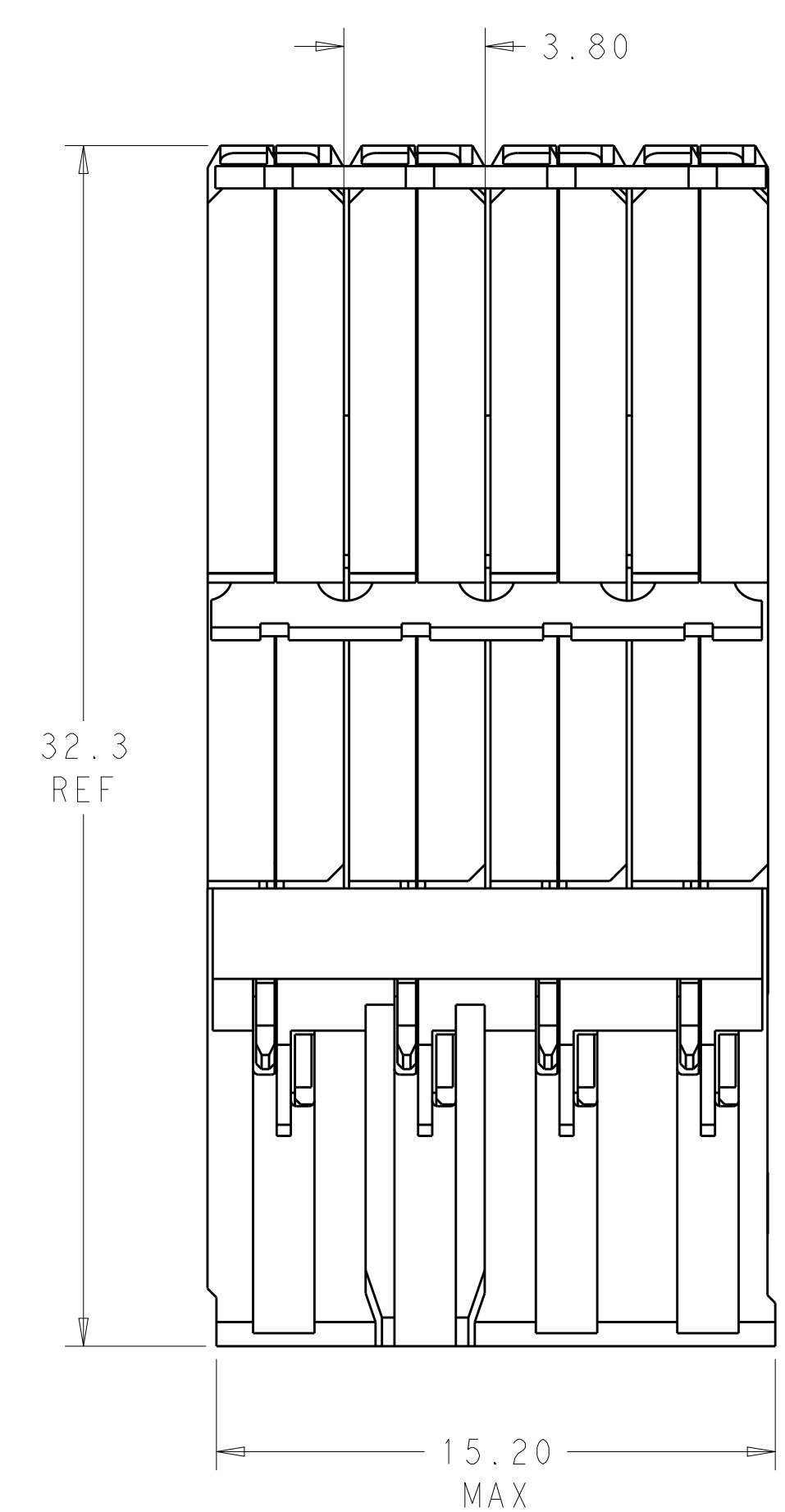
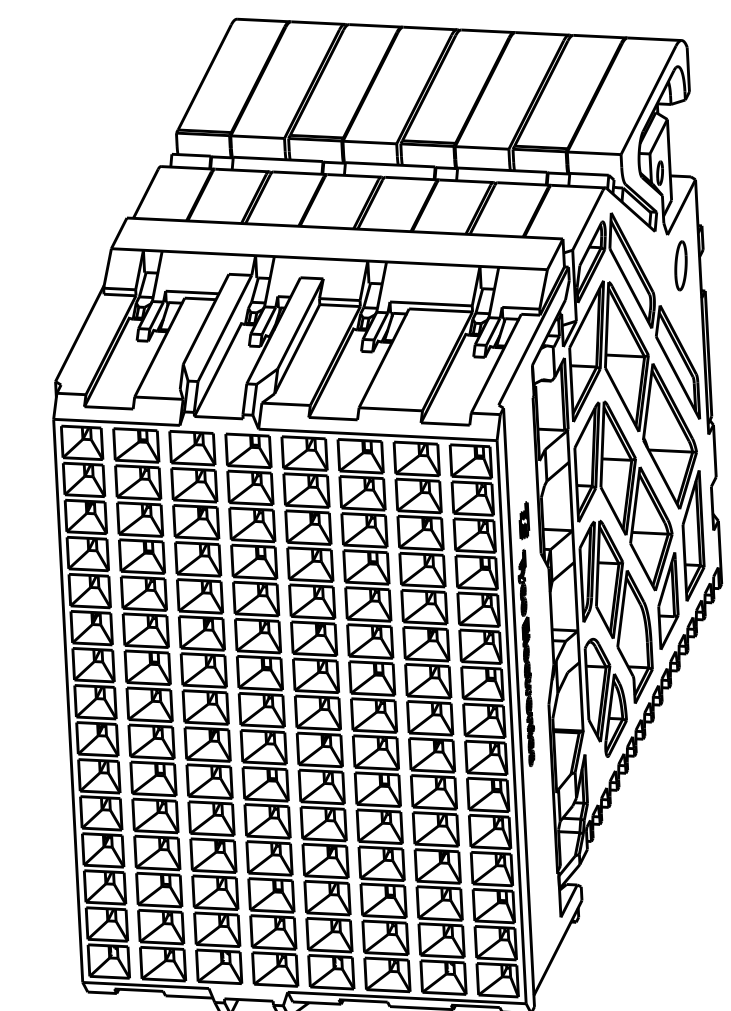


REVISIONS				
P.	LTN	DESCRIPTION	DATE	DWN APVD
B		REVISED PER ECO-15-004915	08APR2015	AP DD

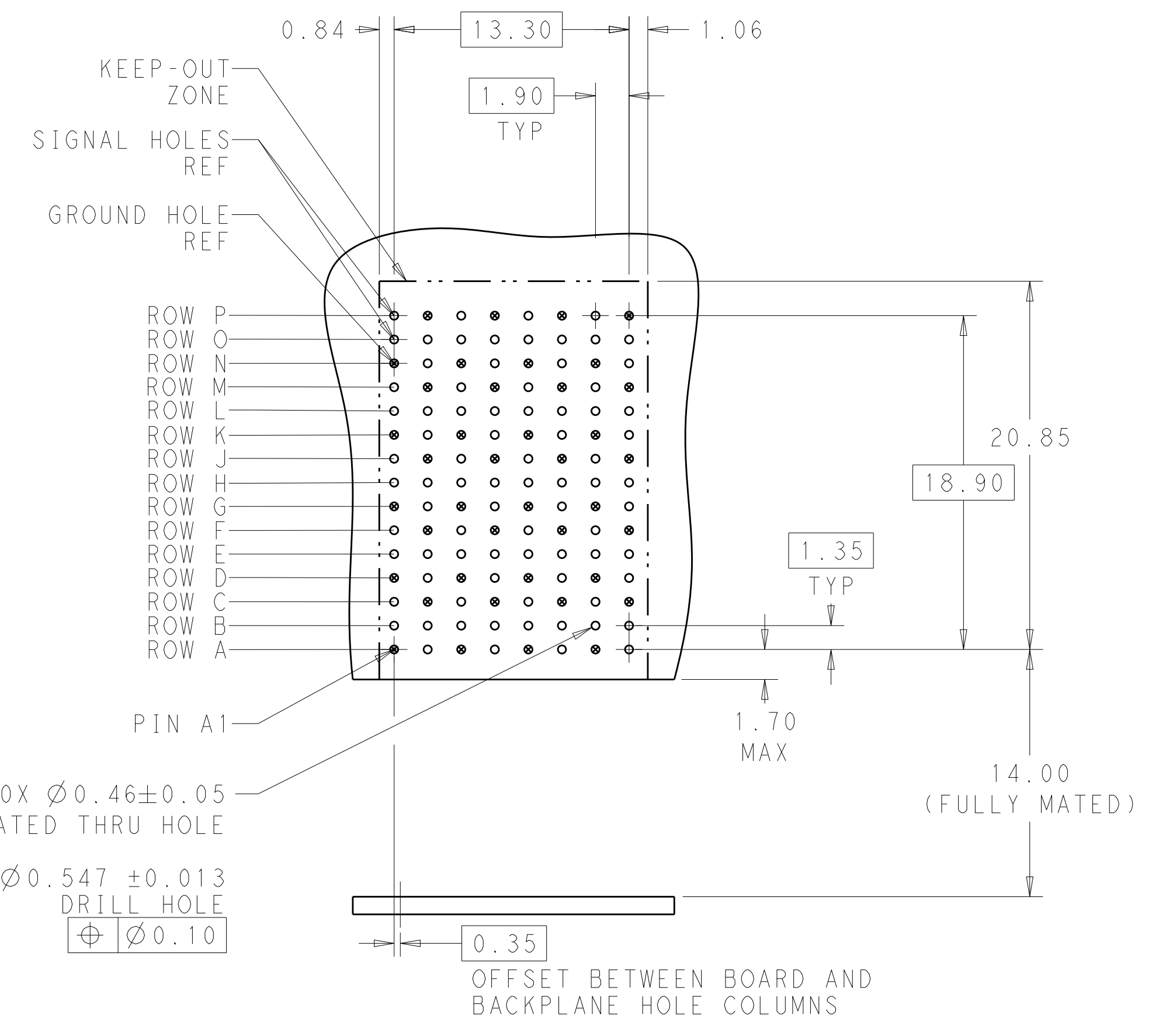
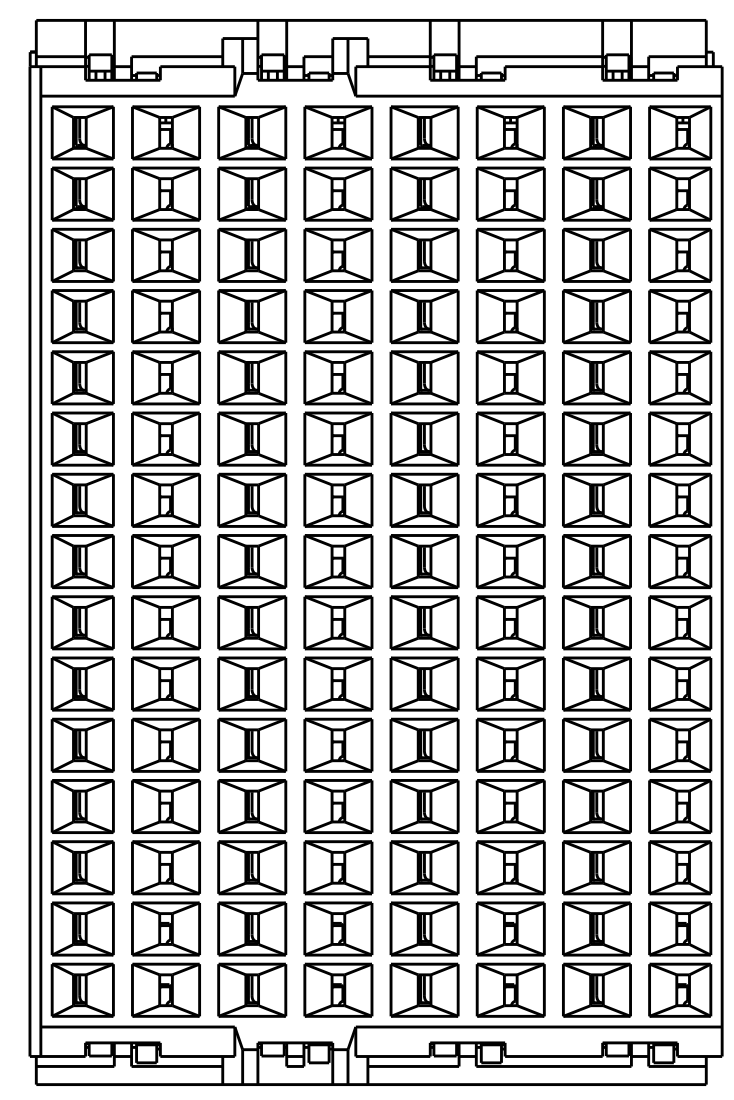


⚠ MATERIAL:
 HOUSING: LCP, GLASS FILLED, UL94V-0.
 TERMINALS: HIGH PERFORMANCE COPPER ALLOY.

⚠ FINISH:
 30µ" SELECTIVE GOLD IN CONTACT AREA. SELECTIVE TIN ON PCB TAILS, NICKEL OVERALL.



SCALE 4:1



120X Ø0.46±0.05
 PLATED THRU HOLE

120X Ø0.547 ±0.013
 DRILL HOLE
 ±0.10

0.35
 OFFSET BETWEEN BOARD AND
 BACKPLANE HOLE COLUMNS

RECOMMENDED PCB LAYOUT
 MIN BOARD THICKNESS 1.0

REFER TO WWW.TE.COM
 FOR PRODUCT AVAILABILITY

NONE	⚠	2110097-1
KEY POSITION	FINISH	PART NUMBER

THIS DRAWING IS A CONTROLLED DOCUMENT.		DWN: KIRAN HOLAL 09NOV2012	TE Connectivity
DIMENSIONS: mm		CHK: D. DIXON 09NOV2012	
TOLERANCES UNLESS OTHERWISE SPECIFIED:		APVD: D. DIXON 09NOV2012	NAME: IMPACT, 5 PAIR, DAUGHTERCARD 8 COLUMN, UNGUIDED, SIGNAL MODULE, 0.46 EYELET
0 PLC ± 1 PLC ±0.2 2 PLC ±0.13 3 PLC ± 4 PLC ± ANGLES ±		PRODUCT SPEC APPLICATION SPEC SIZE: CAGE CODE DRAWING NO RESTRICTED TO	
MATERIAL: SEE TABLE		WEIGHT: -	A100779 ©=2110097 Customer Drawing
		SCALE: 6:1	SHEET 1 OF 1 REV B