

THIS DRAWING IS UNPUBLISHED.

RELEASED FOR PUBLICATION

© COPYRIGHT

ALL RIGHTS RESERVED.

REVISIONS

P	LTR	DESCRIPTION	DATE	DWN	APVD
C1		REVISED(ECR-16-005736)	07.APR.16	WY	KT
C2		REVISED(ECR-16-007243)	20.APR.16	WY	KT
C3		REVISED(ECR-23-184662)	21082023	JY	KT

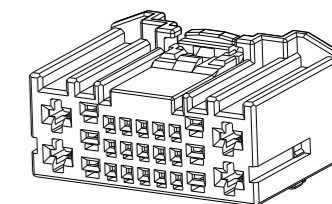
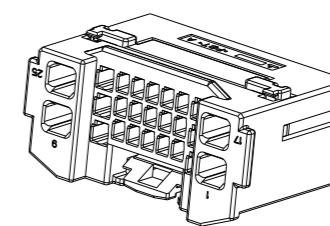
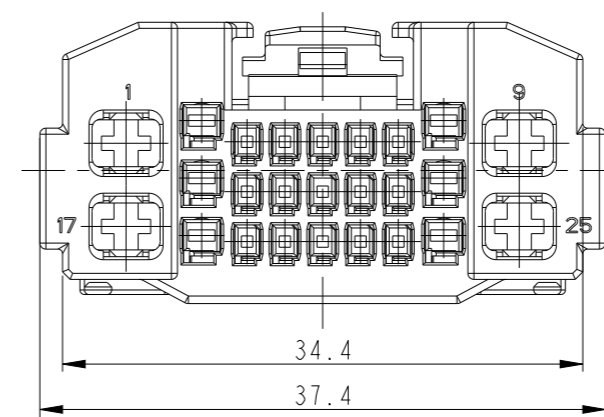
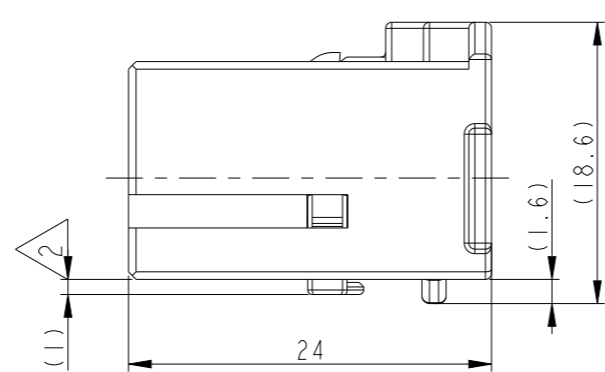
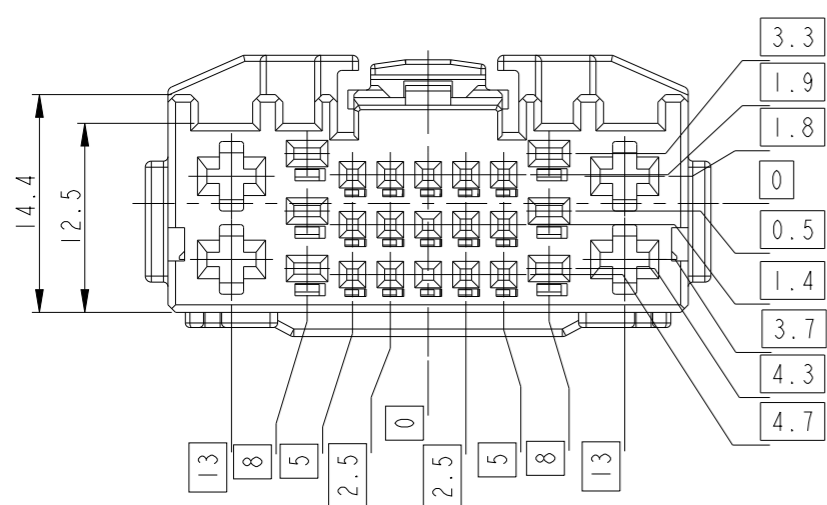
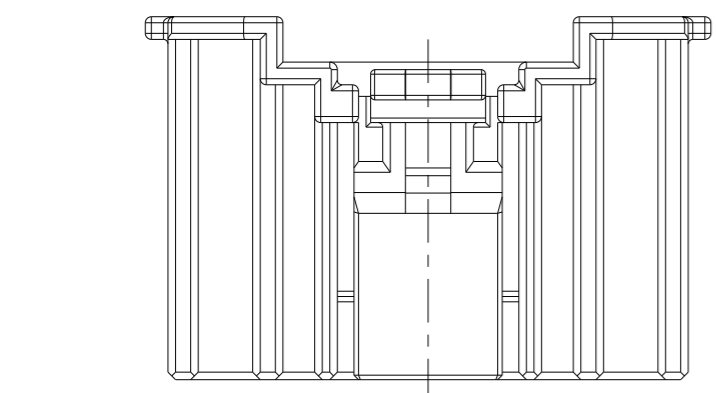


TABLE 1.

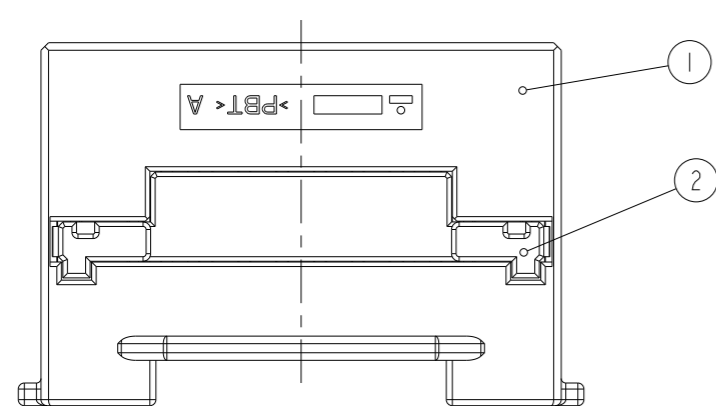
CONTACT	PART NO.	WIRE SIZE(SQ)
.025 TH	2005097-1	0.13~0.22
	2005427-1	0.3~0.5
	1123343-2	0.5
.060	2109006-1	0.22~0.35
	2109006-2	0.5~0.75
	2109006-3	0.85~1.25
MCP 2.8	1-968880-1	0.35~0.5
	1-968849-1	0.5~1.0
	1-968851-1	1.0~2.5



- NOTE:  
 1. GENERAL TOLERANCE :  $\pm 0.3, \pm 3^\circ$   
 2. CONDITION OF DELIVERY : DBL PLATE IN OPEN POSITION.  
 3. APPLIED RECEPTACLE CONTACT P/N:SEE TABLE 1  
 4. SUITABLE MATING CAP P/N : 2109517  
 5. MATING INTERFACE PART NUMBER: 114-61056

ASS'Y P/N	2109520-6	2109520-3	2109520-1

NO	FINISH/COLOR	MATERIAL	DESCRIPTION	Q'TY
2	NATURAL	PBT	25P DBL HSG	1 1 1
1	RED	PBT	25P PLUG HSG	1 - -
	GRAY			- 1 -
	NATURAL			- - 1



THIS DRAWING IS A CONTROLLED DOCUMENT.

DWN WY JANG  
 CHK YH MA  
 APVD KT LIM  
 PRODUCT SPEC  
 APPLICATION SPEC  
 WEIGHT

**STE** TE Connectivity

NAME  
 025/060/110 HYB 25P PLUG ASSY

SIZE A3 CAGE CODE 00779 DRAWING NO C-2109520 RESTRICTED TO

MATERIAL SEE NOTE FINISH SEE NOTE

CUSTOMER DRAWING SCALE 2:1 SHEET 1 OF 1 REV C3