

4

3

2

1

THIS DRAWING IS UNPUBLISHED.

RELEASED FOR PUBLICATION

LOC -

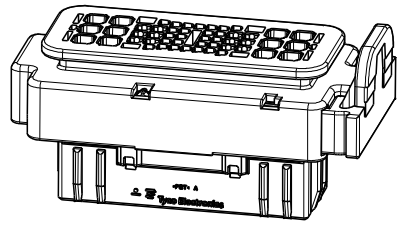
DIST -

REVISIONS

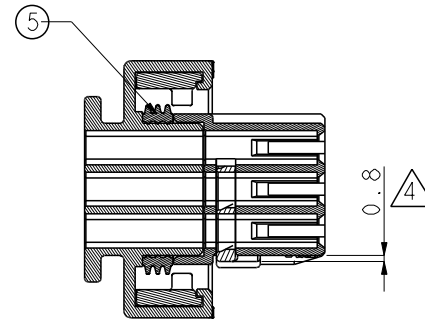
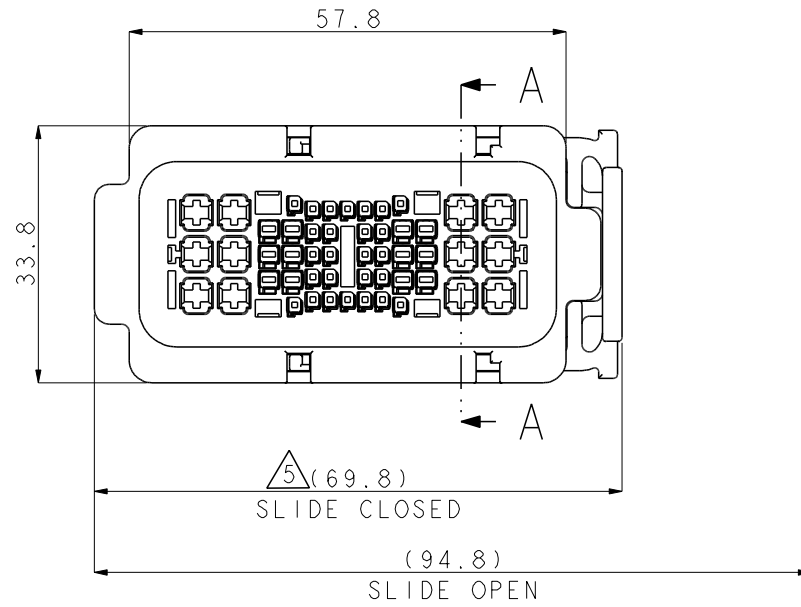
© COPYRIGHT 19

ALL RIGHTS RESERVED.

P	LTR	DESCRIPTION	DATE	DWN	APVD
C		REVISED (ECR-14-014983)	01.APR.'14	SM	HG



ISO VIEW



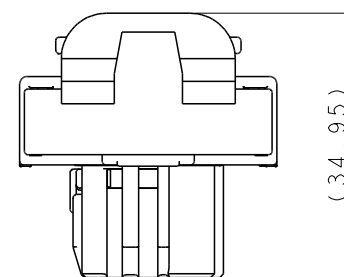
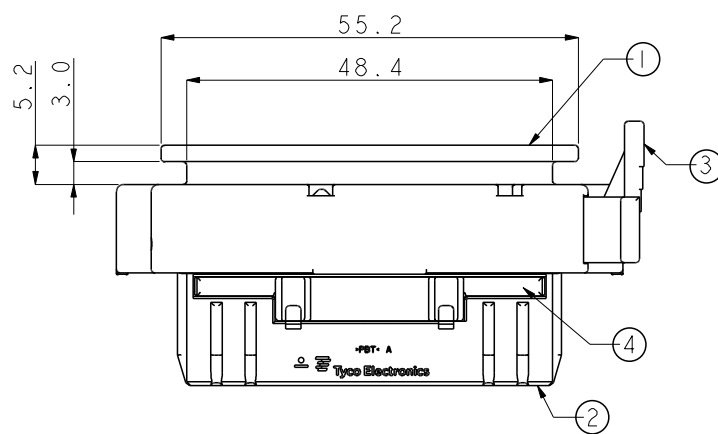
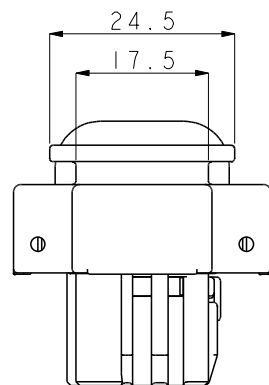
SECTION A - A

TABLE 1. APPLICABLE REC. CONTACT.

TAB	PART NO.	WIRE RANGE(mm ²)	INSULATION DIA.(mm) (FLR)	FINISH
025	2005097-1	0.13~0.22	0.9~1.05	PRE-TIN
	2005427-1	0.3~0.5	1.1~1.7	
060	2109006-1	0.22~0.35	1.0~1.5	PRE-TIN
	2109006-2	0.5~0.75	1.4~1.9	
	2109006-3	0.85~1.25	1.8~2.4	
110	1241386-1	0.2~0.35	1.1~1.4	PRE-TIN
	1241388-1	0.5~1.0	1.4~2.1	
	1241390-1	1.0~2.5	2.2~3.0	
① 1-968851-1				

NOTE ;

- GENERAL TOLERANCE : ±0.3, ±3.0°
- APPLICABLE REC. CONTACT : SEE TABLE 1.
- THE MATING CAP ASS'Y P/N : 2109335
- DBL SUPPLY CONDITION : 1ST LOCKING.
- SLIDE LEVER SUPPLY CONDITION : CLOSED.



NO.	DESCRIPTION	MATERIAL	COLOR	Q'TY
5	INNER SEAL	SILICON	GREEN	1
4	PLUG DBL	PBT	WHITE	1
3	SLIDE	PBT-GF20	BLACK	1
2	REC. PLUG HSG	PBT	BLACK	1
1	SLIDE PLUG HSG	PBT	BLACK	1

2109340-2
PLUG ASS'Y
DESCRIPTION
REMARK

THIS DRAWING IS A CONTROLLED DOCUMENT.		DWN SM LEE	TE Connectivity	
DIMENSIONS: mm		CHK KT LIM	NAME	
TOLERANCES UNLESS OTHERWISE SPECIFIED: 0 PLC ±0.5 1 PLC ±0.5 2 PLC ±0.13 3 PLC ±0.013 4 PLC ±0.0001 ANGLES ±		APVD HG CHO	PLUG HSG ASS'Y FOR HYB(025/060/110) DOOR 50P	
MATERIAL	FINISH	PRODUCT SPEC	APPLICATION SPEC	RESTRICTED TO
-	-	-	-	-
CUSTOMER DRAWING		WEIGHT	SIZE	CAGE CODE
-		-	A300779	C=2109340
SCALE		DRAWING NO		REV
:		:		C

A

B

C

D