

THIS DRAWING IS UNPUBLISHED.

RELEASED FOR PUBLICATION

© COPYRIGHT 19

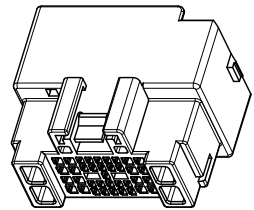
ALL RIGHTS RESERVED.

LOC DS

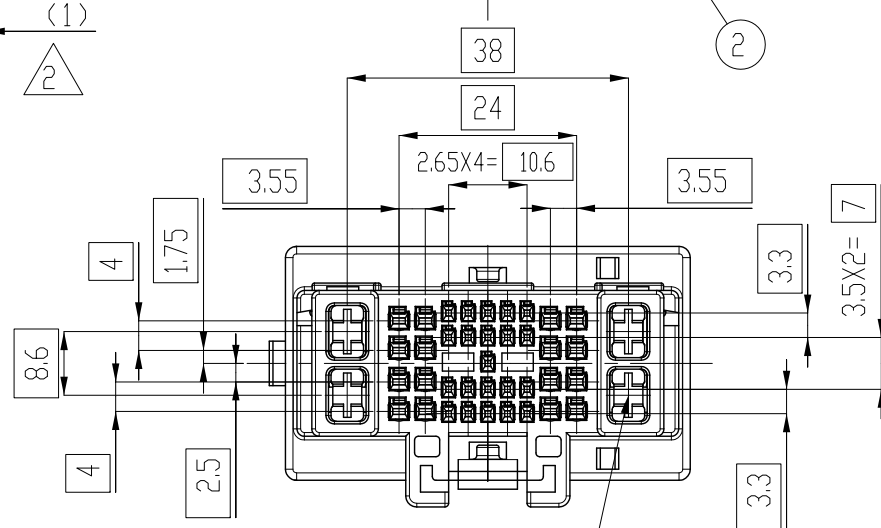
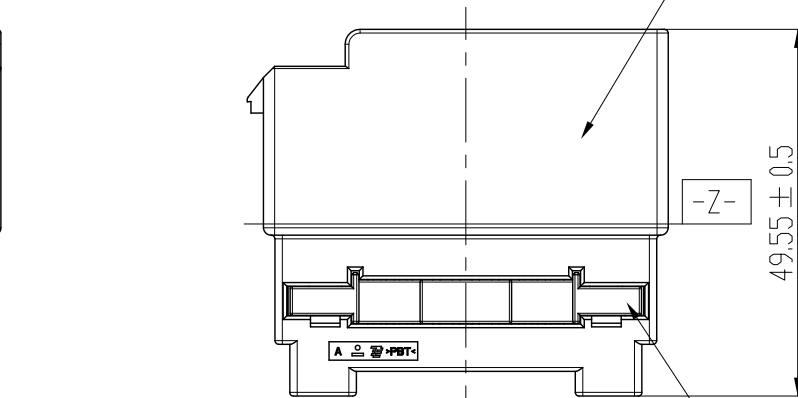
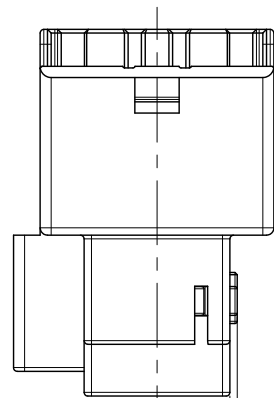
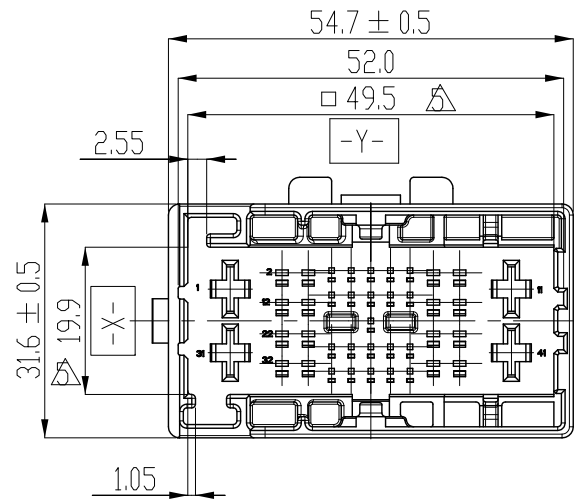
DIST -

REVISIONS

P	LTR	DESCRIPTION	DATE	DWN	APVD
	A	RELEASED	28.AUG.12	SJ	HG

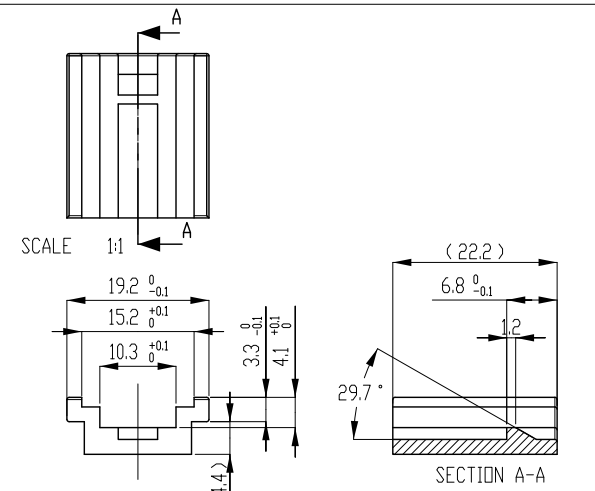
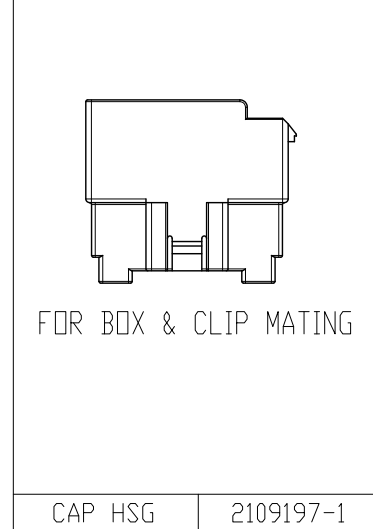
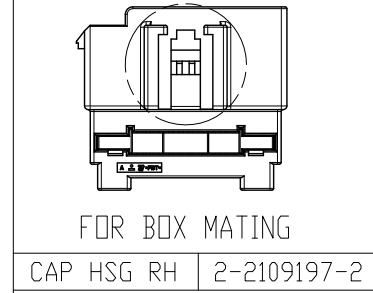
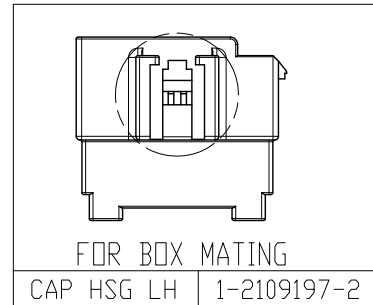


ISO VIEW  
SCALE 1:2

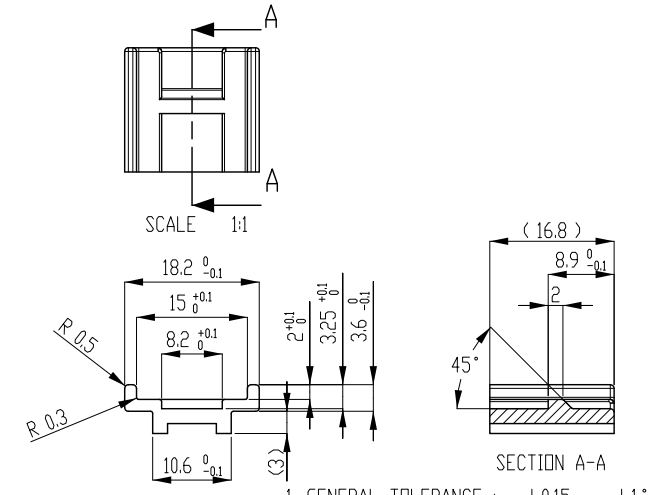


Ø 0.6 Z X Y

NOTE  
 1.GENERAL TOLERANCE: ±0.3, ±3°  
 2.CONDITION OF DELIVERY  
 DBL IN 1st LOCKING POSITION  
 3.APPLICABLE PLUG ASS'Y P/N:X-2109193-X  
 4.APPLICABLE TAB CONTACT P/N:(TABLE 1)  
 5.WARPAGE PERMISSION 0.2



1. GENERAL TOLERANCE : ±0.15 , ±1°



1. GENERAL TOLERANCE : ±0.15 , ±1°

ASS'Y P/N	DESCRIPTION
2-2109197-1	HYB 41P CAP RH ASS'Y
2-2109197-2	HYB 41P CAP RH ASS'Y
1-2109197-2	HYB 41P CAP LH ASS'Y
2109197-1	HYB 41P CAP ASS'Y

<TABLE 1>

TYPE	FINISH	P/N	WIRE RANGE(mm <sup>2</sup> )
.025	PRE-TIN	2005098-1	0.22
	SEL-GOLD	2005154-1	0.3~0.5
		2005098-2	0.22
		2005154-2	0.3~0.5
.060	PRE-TIN	2109005-1	0.22~0.35
		2109005-2	0.5~0.75
		2109005-3	0.85~1.25
.250	PRE-TIN	964304-1	0.5~1.0
		964306-1	>1.0~2.5
		964308-1	>2.5~4.0

THIS DRAWING IS A CONTROLLED DOCUMENT.

DIMENSIONS:	TOLERANCES UNLESS OTHERWISE SPECIFIED
mm	
	0 PLC ±
	1 PLC ±0.1
	2 PLC ±0.01
	3 PLC ±0.001
	4 PLC ±0.0001
ANGLES ±	
MATERIAL -	FINISH -

DWN	SJ CHOI
CHK	KT LIM
APVD	HG CHO
PRODUCT SPEC	-
APPLICATION SPEC	-
WEIGHT	-
CUSTOMER DRAWING	-



025/060/250 41P CAP ASSY

SIZE	CAGE CODE	DRAWING NO	RESTRICTED TO
A3	00779	C=2109197	-
SCALE	SHEET	OF	REV
1:1	1	1	A